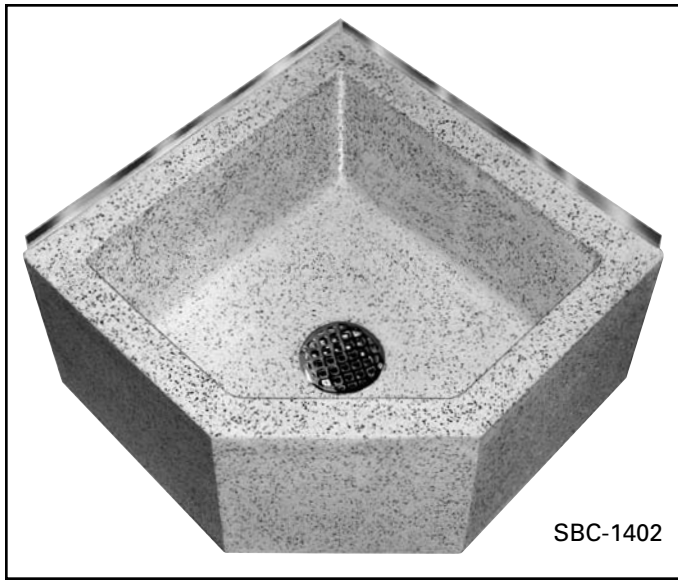


STERN
WILLIAMS
CORNARO®
MOP SERVICE BASINS
ARCHITECTURAL
SPECIFICATIONS

Model No. () Size (), as manufactured by Stern-Williams Co., Inc. Shoulders shall not be less than 9³/₄" high inside measurement, and not less than 1¹/₄" wide. Drain shall be cast brass with stainless steel strainer cast integral and shall provide for a caulked lead connection not less than 1" deep to a 3" pipe. Receptor composed of pearl grey marble chips and white Portland cement ground smooth, grouted and sealed to resist stains. Stainless steel cap of one piece 20 ga. 302 stainless steel cast integral on all five sides of Cornaro models. Tiling flange shall extend 1" above shoulder on 2 sides.



SBC-1402



SBC-1500

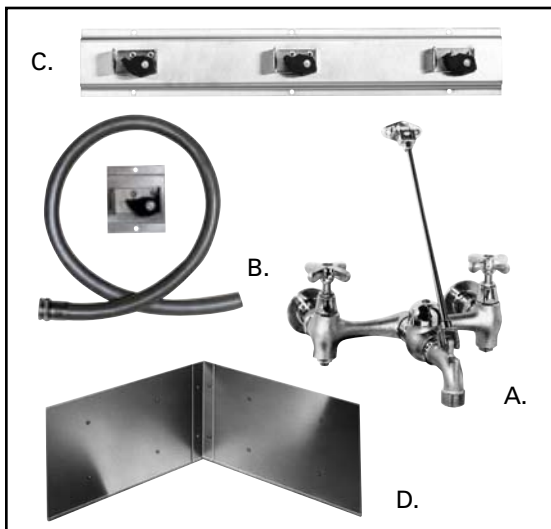
CORNARO
WITHOUT STAINLESS STEEL CAP

MODEL	SIZE
SBC-1400	24" x 24" x 12"
SBC-1402*	24" x 24" x 12"
SBC-1425	32" x 32" x 12"
SBC-1450	36" x 36" x 12"

CORNARO
WITH STAINLESS STEEL CAP

MODEL	SIZE
SBC-1500	24" x 24" x 12"
SBC-1502*	24" x 24" x 12"
SBC-1525	32" x 32" x 12"
SBC-1550	36" x 36" x 12"

*NOTE: 2 Tiling Flanges Standard



QUALITY OPTIONAL FITTINGS

- A. **T-10-VB** Mop-Service sink fitting with vacuum breaker, adjustable top brace, 3/4" hose thread on spout with bucket hook inlets 8" on center, chrome finish.
- T-15 VB** same as above with polished chrome finish.
- B. **T-35** Hose and wall hook. Hose 36" long, with 3/4" chrome couplings. Wall bracket of stainless steel.
- C. **T-40** Stainless Steel Mop Hanger of stainless steel with #4 finish. . . 24" long, with 3 rubber spring loaded grips.
- D. **BP** Splash Catcher Panels of 20 ga. type 304 stainless steel.

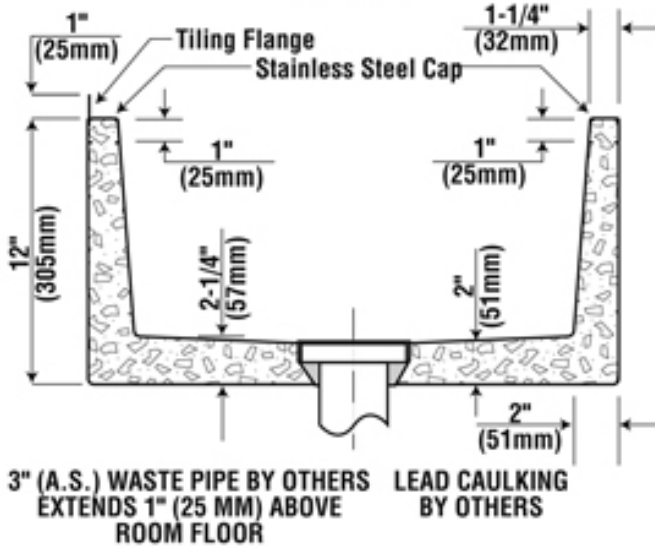
JOB

ARCHITECT

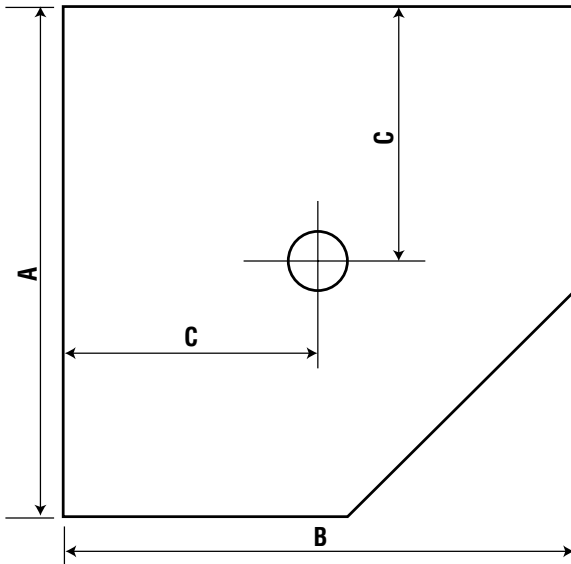
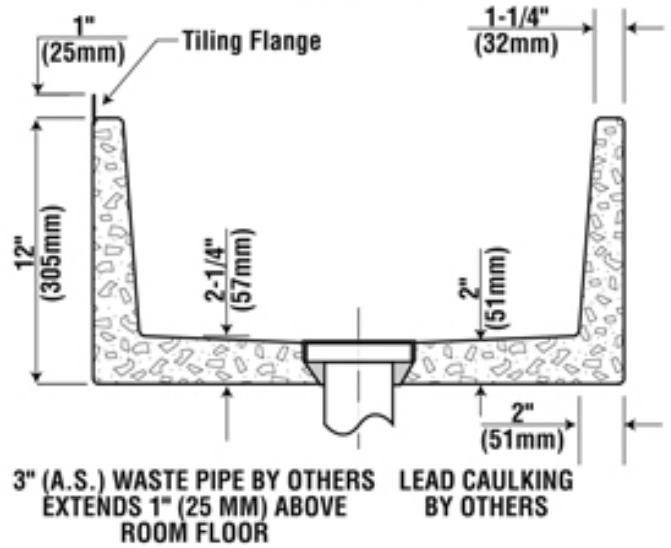
LOCATION

ENGINEER

**CROSS SECTION
1500 SERIES**



**CROSS SECTION
1400 SERIES**



MODEL	A		B		C	
	Inches	MM	Inches	MM	Inches	MM
SBC-1500	24	610	24	610	12	305
SBC-1502	24	610	24	610	12	305
SBC-1525	32	813	32	813	12	305
SBC-1550	36	915	36	915	12	305

MODEL	A		B		C	
	Inches	MM	Inches	MM	Inches	MM
SBC-1400	24	610	24	610	12	305
SBC-1402	24	610	24	610	12	305
SBC-1425	32	813	32	813	12	305
SBC-1450	36	915	36	915	12	305

STERN-WILLIAMS CO., INC. • P.O. BOX 8004 • SHAWNEE MISSION, KANSAS USA 66208

Note: All dimensions subject to manufacturing variance of plus or minus 1/4" (6 MM).

(NO. C 1-11)