

STERN

**WILLIAMS**

**CRESCENT**

MOP SERVICE BASINS

**ARCHITECTURAL  
SPECIFICATIONS**

Model No. ( ) Size 28"x28", as manufactured by Stern-Williams Co., Inc. Shoulders shall not be less than 9-1/2" high inside measurement, and not less than 1-1/4" wide. Drain shall be cast brass with stainless steel strainer cast integral and shall provide for a caulked lead connection not less than 1" deep to a 3" pipe. Terrazzo receptor composed of pearl grey marble chips and white Portland cement ground smooth, grouted and sealed to resist stains. Stainless steel cap of one piece 20 ga. 302 stainless steel cast integral on from drop.



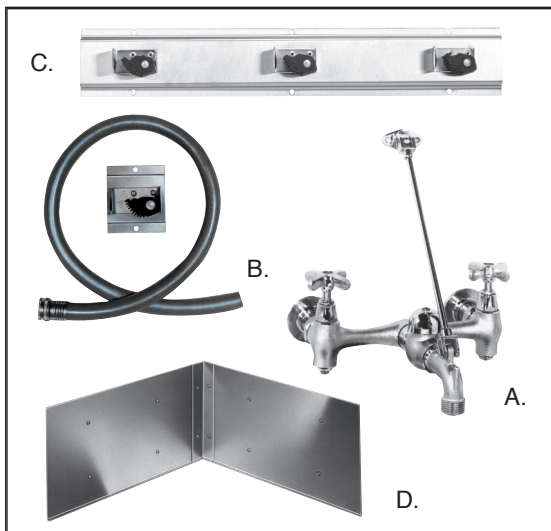
CRS-2200

**CRS-2210  
WITHOUT STAINLESS STEEL CAP**

MODEL	SIZE	FLANGES
CRS-2210	28"x28"x12"	none

**CRS-2200  
WITH STAINLESS STEEL CAP**

MODEL	SIZE	FLANGES
CRS-2200	28"x28"x12"	none
CRS-2202	28"x28"x12"	2-



**QUALITY OPTIONAL FITTINGS**

- A. **T-10-VB** Mop-Service sink fitting with vacuum breaker, adjustable top brace, 3/4" hose thread on spout with bucket hook inlets 8" on center, chrome finish.
- T-15 VB** same as above with polished chrome finish.
- B. **T-35** Hose and wall hook. Hose 36" long, with 3/4" chrome couplings. Wall bracket of stainless steel.
- C. **T-40** Stainless Steel Mop Hanger of stainless steel with #4 finish. . . 24" long, with 3 rubber spring loaded grips.
- D. **BP** Splash Catcher Panels of 20 ga. type 304 stainless steel.

**JOB**

**ARCHITECT**

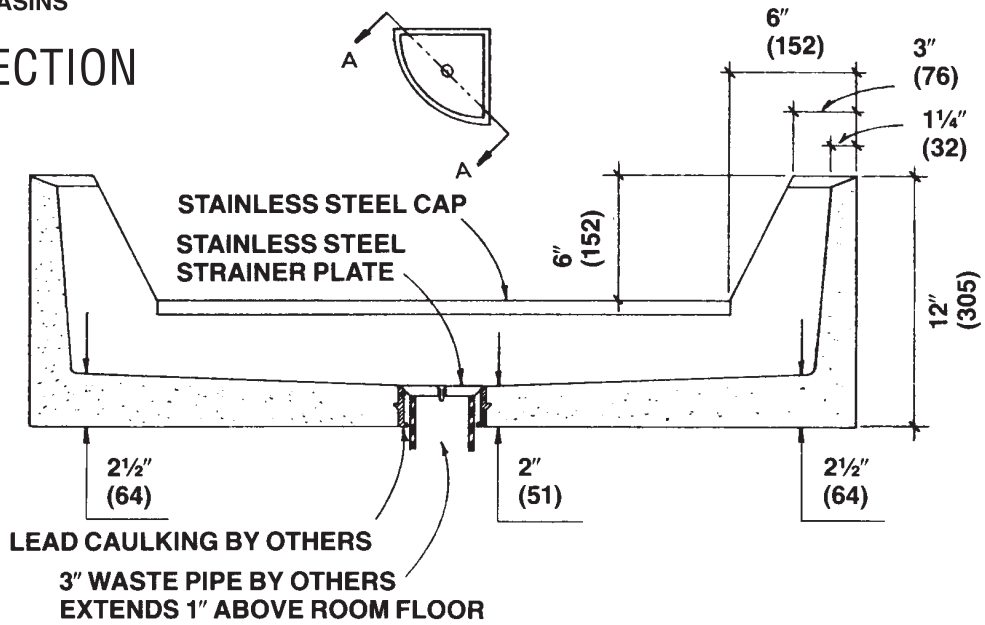
**LOCATION**

**ENGINEER**

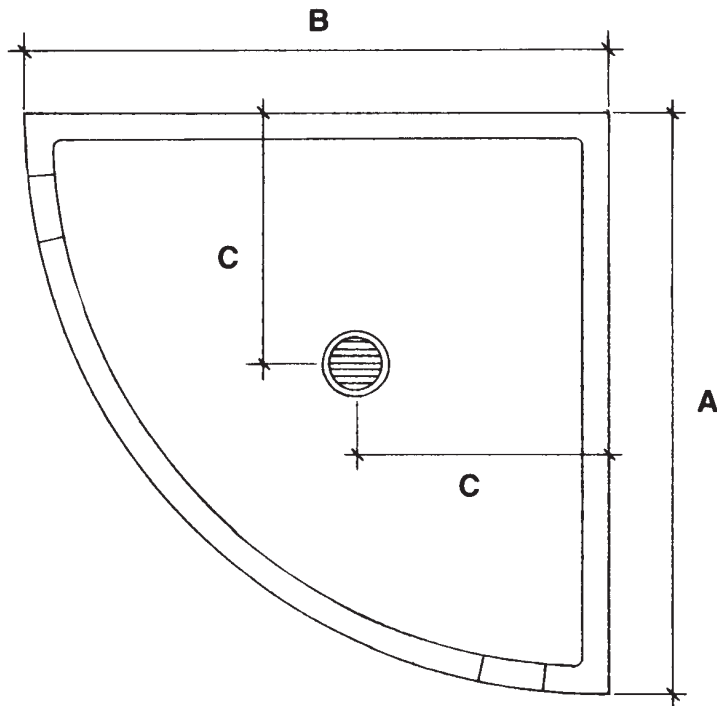
# CRESCENT

MOP SERVICE BASINS

## CROSS SECTION



## ROUGH-IN



MODEL	A		B		C	
	IN	MM	IN	MM	IN	MM
CRS-2200	28	711	28	711	12	305
CRS-2202	28	711	28	711	12	305
CRS-2210	28	711	28	711	12	305

Height all models 12" (305 mm)

Note: All dimensions subject to manufacturing variance of plus or minus 1/4" (6 MM).