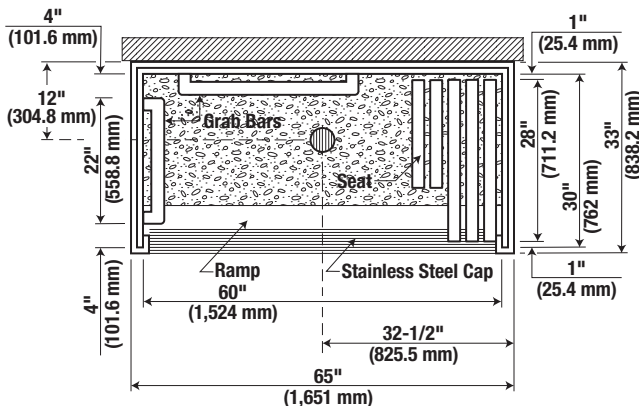
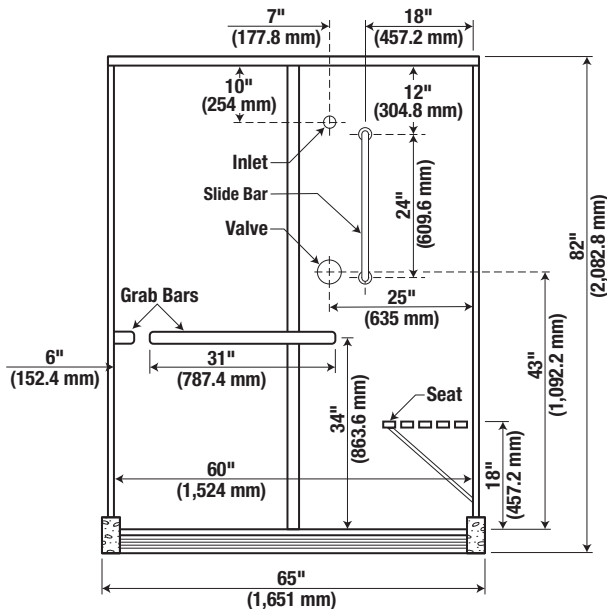
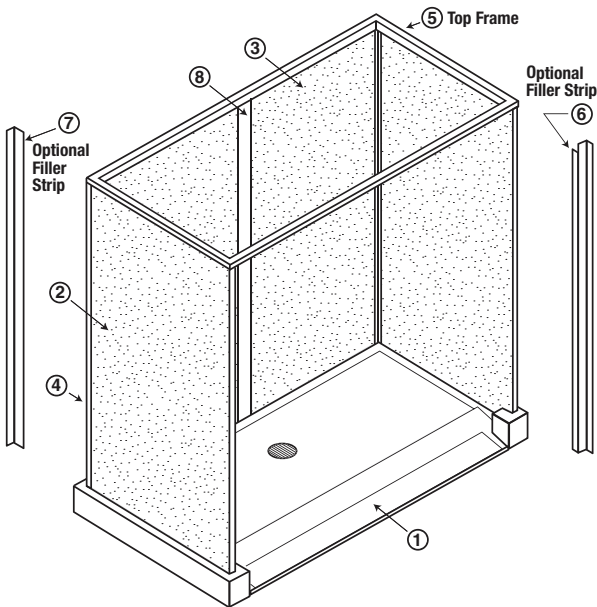




**NOTE: Conforms to 2010 ADA Guidelines for Design (60x30")**



**STANDARD EQUIPMENT FOR FIELD INSTALLATION**

**KEY**

**NO. QTY. DESCRIPTION**

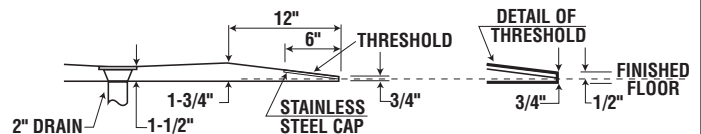
KEY NO.	QTY.	DESCRIPTION
1	1	65" X 33" BASE
2	2	30" X 77-3/16" PANEL
3	1	60" X 77-3/16" BACK PANEL
4	2	CORNER JOINT
5	1	TOP FRAME
—	1	ROD AND CURTAIN
—	1	PRESSURE BALANCED VALVE WITH STOPS
—	1	HAND HELD SHOWER HEAD WITH SWIVEL CONNECTOR, SUPPLY ELL, VACUUM BREAKER AND 69" C.P. FLEXIBLE BRASS HOSE
—	1	24" C.P. BRASS SLIDE BAR WITH ADJUSTABLE SHOWER HEAD MOUNTING BRACKET AND MOUNTING SCREWS.
—	2	HORIZONTAL STAINLESS STEEL GRAB BAR
8	1	CHANNEL BRACKET
—	1	RETRACTABLE HANDICAPPED SHOWER SEAT WITH STAINLESS STEEL FRAME

**FOR CORRECT INSTALLATION:**

1. ESTABLISH PROPER CLEARANCE BETWEEN SHOWER BASE AND WALLS.
2. SET SHOWER BASE ON MORTAR BED AND CAREFULLY LEVEL TO AVOID PROBLEMS OF UNEVEN SUB FLOOR.

**OPTIONS**

- FRONT FILLER STRIP (KEY NO. 6)
- FILLER STRIP (KEY NO. 7)
- FINISH:
  - POWDER COAT ON GALVANIZED STEEL
  - HIGH DENSITY POLYMER (H.D.P.)
  - STAINLESS STEEL
  - SOLID PHENOLIC CORE (S.P.C.)
- THERMOSTATIC VALVE
- TOP COVER
- TOP COVER WITH LIGHT
- VALVE BY OTHERS
- COLOR:
  - WHITE
  - OPTIONAL



**Note:**

1. This style floor was designed to be set 1/4" deep from the top of the finished floor.
2. It is recommend that a floor drain at or near the entrance be included.
3. Collapsible water dam available (-RDM)
4. Manufacturing variance of +/- 1/4".