

STERN

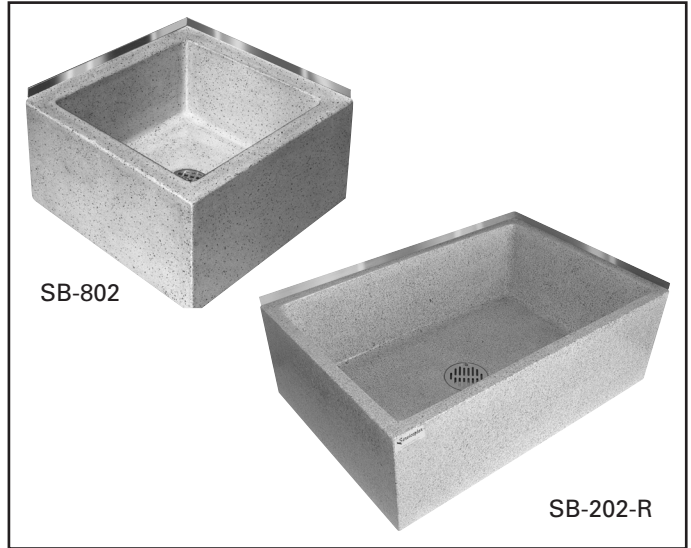
WILLIAMS

SERVICEPTOR

MOP SERVICE BASINS

**ARCHITECTURAL
SPECIFICATIONS**

Model No. () Size (), as manufactured by Stern-Williams Co., Inc. Shoulders shall not be less than 9-3/4" high inside measurement, and not less than 1-1/4" wide. Tiling flange, cast integral, shall extend 1" above shoulder on 1,2 or 3 sides (as job required). Drain shall be cast brass with stainless steel strainer cast integral and shall provide for a caulked lead connection not less than 1" deep to a 3" pipe. Receptor composed of pearl grey marble chips and white Portland cement ground smooth, grouted and sealed to resist stains. Stainless steel cap of one piece 20 ga. 302 stainless steel cast integral on all four sides.



WITH STAINLESS STEEL CAP

WITHOUT STAINLESS STEEL CAP

MODEL	FLANGES
24" X 24" x 12"	
SB-900	without tiling flange
SB-901	w/tiling flange - 1 sd.
SB-902	w/tiling flange - 2 sds.
SB-903	w/tiling flange - 3 sds.
32" X 32" x 12"	
SB-700	without tiling flange
SB-701	w/tiling flange - 1 sd.
SB-702	w/tiling flange - 2 sds.
SB-703	w/tiling flange - 3 sds.

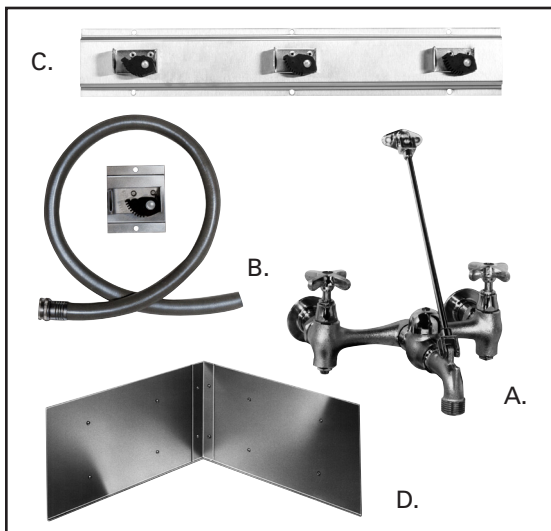
MODEL	FLANGES
36" X 36" x 12"	
SB-500	without tiling flange
SB-501	w/tiling flange - 1 sd.
SB-502	w/tiling flange - 2 sds.
SB-503	w/tiling flange - 3 sds.
36" X 24" x 12"	
SB-300	without tiling flange
SB-301	w/tiling flange - 1 sd.
SB-302-L	w/tiling flange - 2 sds.
SB-302-R	w/tiling flange - 2 sds.
SB-303	w/tiling flange - 3 sds.

MODEL	FLANGES
24" X 24" x 12"	
SB-800	without tiling flange
SB-801	w/tiling flange - 1 sd.
SB-802	w/tiling flange - 2 sds.
SB-803	w/tiling flange - 3 sds.
32" X 32" x 12"	
SB-600	without tiling flange
SB-601	w/tiling flange - 1 sd.
SB-602	w/tiling flange - 2 sds.
SB-603	w/tiling flange - 3 sds.

MODEL	FLANGES
36" X 36" x 12"	
SB-400	without tiling flange
SB-401	w/tiling flange - 1 sd.
SB-402	w/tiling flange - 2 sds.
SB-403	w/tiling flange - 3 sds.
36" X 24" x 12"	
SB-200	without tiling flange
SB-201	w/tiling flange - 1 sd.
SB-202-L	w/tiling flange - 2 sds.
SB-202-R	w/tiling flange - 2 sds.
SB-203	w/tiling flange - 3 sds.

* Flange is across back and on LEFT side on model numbers ending in "L".

* Flange is across back and on RIGHT side on model numbers ending in "R".



QUALITY OPTIONAL FITTINGS

- A. **T-10-VB** Mop-Service sink fitting with vacuum breaker, adjustable top brace, 3/4" hose thread on spout with bucket hook inlets 8" on center, chrome finish.
T-15 VB same as above with polished chrome finish.
- B. **T-35** Hose and wall hook. Hose 36" long, with 3/4" chrome couplings. Wall bracket of stainless steel.
- C. **T-40** Stainless Steel Mop Hanger of stainless steel with #4 finish. . . 24" long, with 3 rubber spring loaded grips.
- D. **BP** Splash Catcher Panels of 20 ga. type 304 stainless steel.

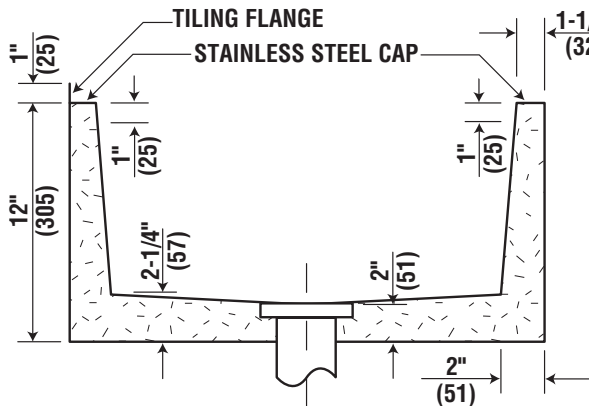
JOB

ARCHITECT

LOCATION

ENGINEER

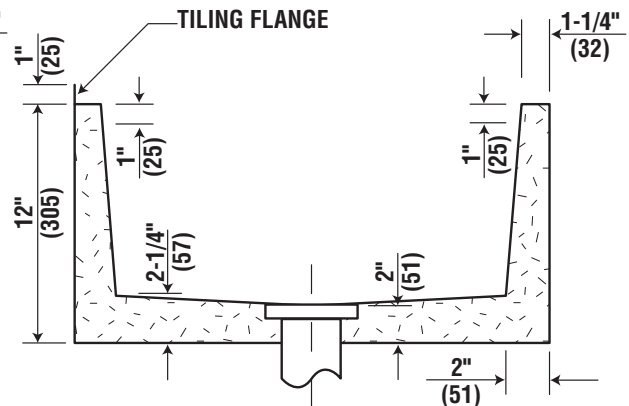
**CROSS SECTION
900, 700, 500 AND 300 SERIES**



3" (A.S.) WASTE PIPE BY OTHERS
EXTENDS 1" (25 MM) ABOVE
ROOM FLOOR

LEAD CAULKING
BY OTHERS

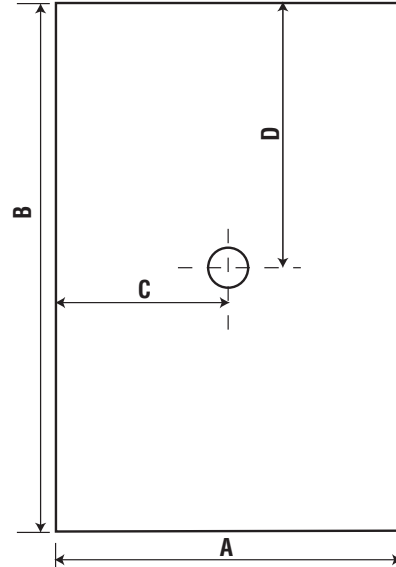
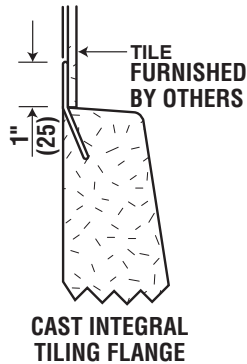
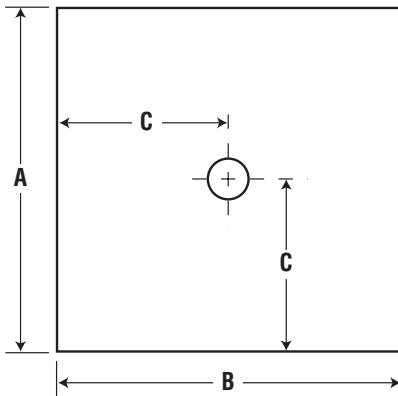
**CROSS SECTION
800, 600, 400 AND 200 SERIES**



3" (A.S.) WASTE PIPE BY OTHERS
EXTENDS 1" (25 MM) ABOVE
ROOM FLOOR

LEAD CAULKING
BY OTHERS

ROUGH-IN



Height all models 12", 305 MM

SERIES	A		B		C	
	INCHES	MM	INCHES	MM	INCHES	MM
900	24	610	24	610	12	305
800	24	610	24	610	12	305
700	32	813	32	813	16	406
600	32	813	32	813	16	406
500	36	914	36	914	18	457
400	36	914	36	914	18	457

Height all models 12", 305 MM

SERIES	A		B		C		D	
	INCHES	MM	INCHES	MM	INCHES	MM	INCHES	MM
300	24	610	36	914	12	305	18	457
200	24	610	36	914	12	305	18	457

Note: All dimensions subject to manufacturing variance of plus or minus 1/4" (6 MM).