

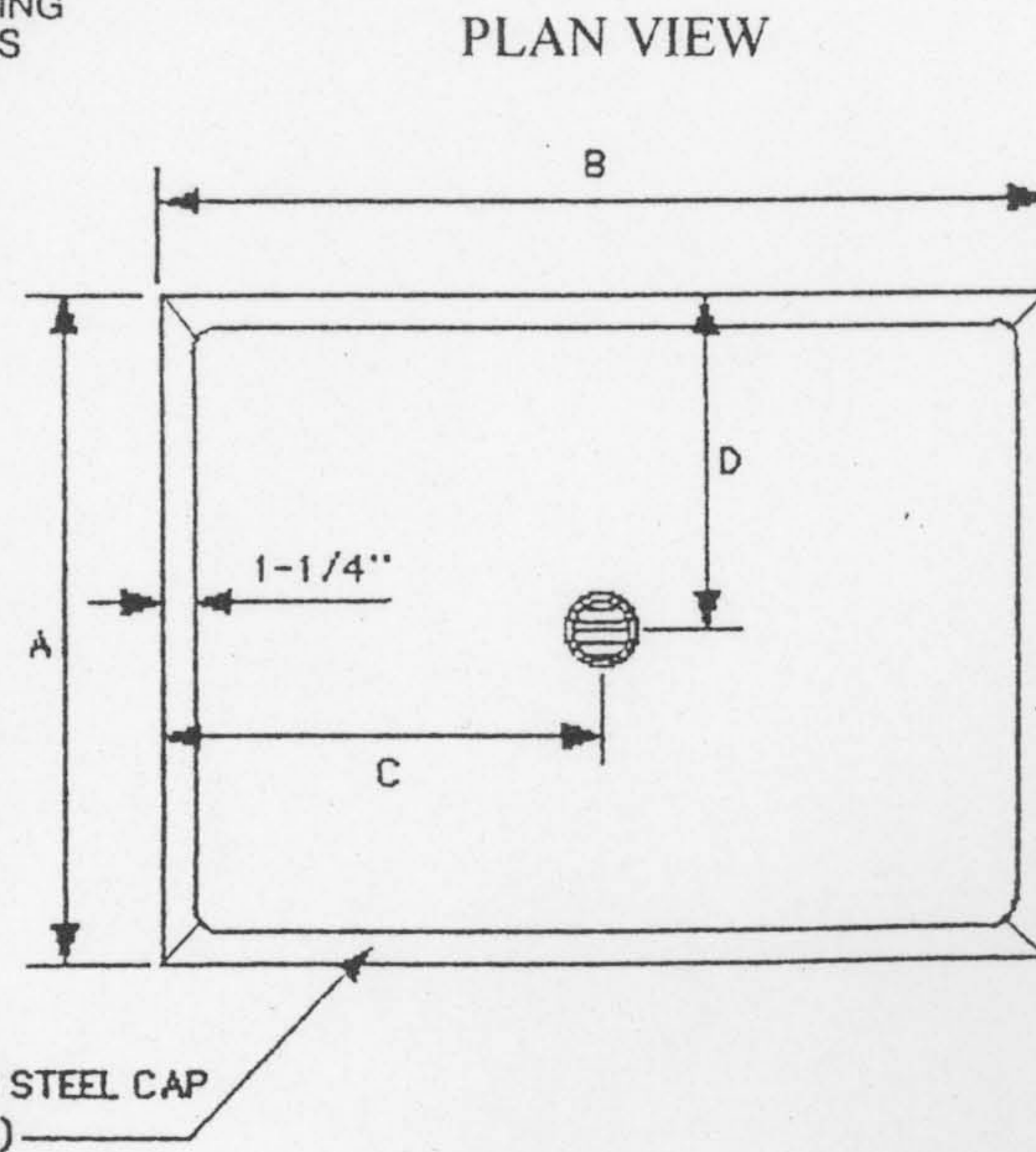
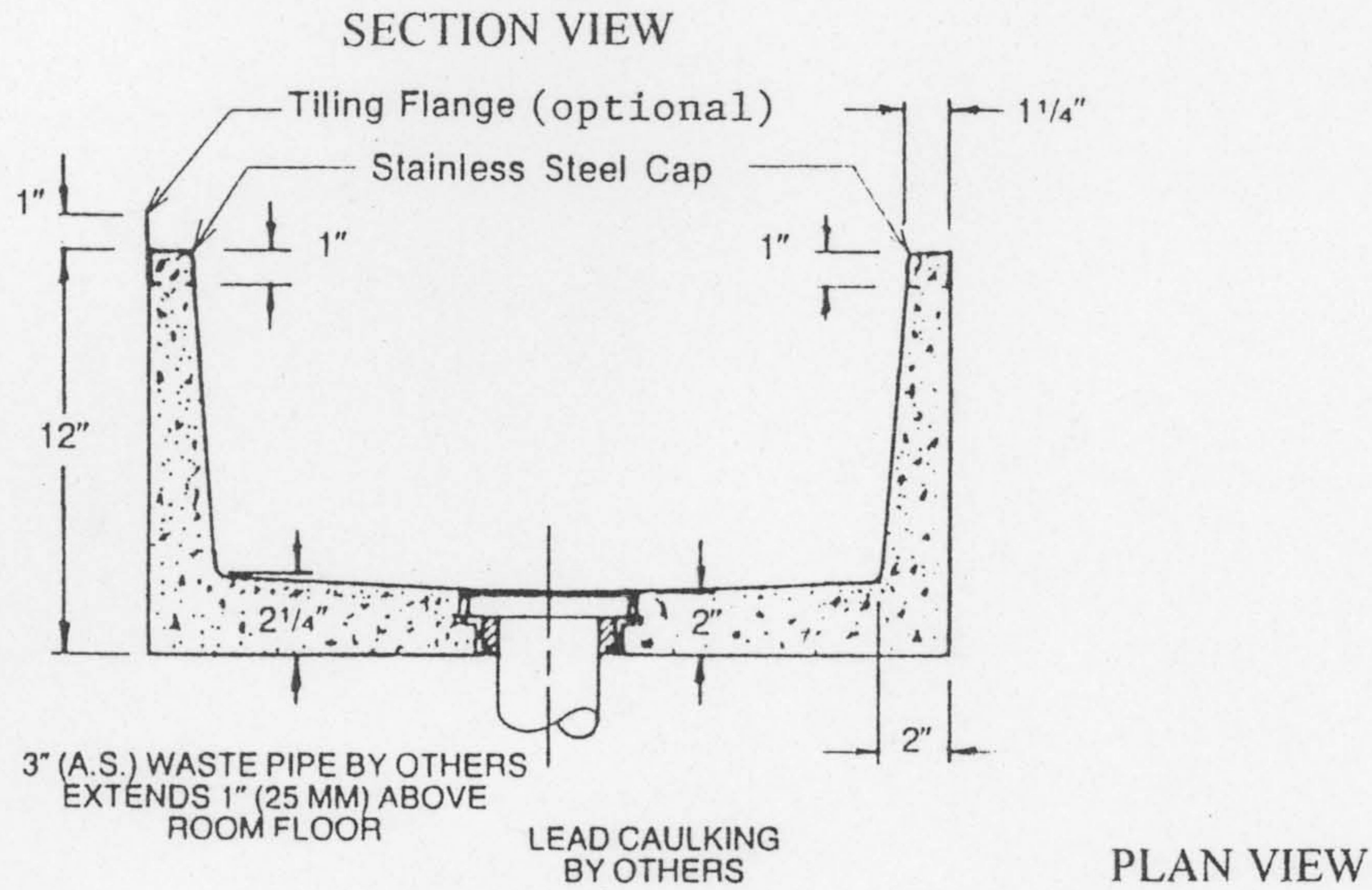


STERN-WILLIAMS CO., Inc.
 P.O. BOX 8004 • SHAWNEE MISSION, KANSAS 66208
 913-362-5635 FAX 913-362-6689

PROJECT:

**SERVICEPTORS
 FOUR STAINLESS STEEL CAPS**

Shoulders shall not be less than 9-3/4" high inside measurement, and not less than 1-1/4" wide. Drain shall be cast brass cast integral with removable stainless steel strainer, and shall provide for a caulked lead connection not less than 1" deep to a 3" pipe. Terrazzo receptor is composed of pearl gray marble chips and white Portland cement, and is ground smooth, grouted, and sealed to resist stains. Stainless steel cap is four pieces of 20 gauge stainless steel welded together and cast integral. Tiling flanges are optional, made of stainless steel, and extend 1" above the shoulder on 1, 2, or 3 sides, as required.



MODEL	SIZE	DIMENSION (INCHES)			
		A	B	C	D
SB-850	24x24	24	24	12	12
SB-650	32x32	32	32	16	16
SB-450	36x36	36	36	18	18
SB-250	36x24	36	24	12	18

NOTE: ALL DIMENSIONS SUBJECT TO MANUFACTURING VARIANCE OF PLUS OR MINUS 1/4".

APPROVED: _____ TITLE: _____ DATE: _____