

SHOWER FLOOR
MODEL NO. () SIZE ()

Shower Floor shall be of Williams precast terrazzo. Terrazzo shall be made of black and white marble chips cast in white portland cement to produce a compressive strength of not less than 3000 PSI, seven days after casting. Terrazzo surface shall be ground smooth, grouted and sealed to resist stain. Flange, cast integral shall be of galvanized bonderized steel and shall extend not less than one inch above the shoulder, Shoulder shall be not less than two inches wide. Drain body shall be cast integral, and shall provide for a caulked lead connection not less than one inch deep to a two inch pipe. Removable type strainer plate shall be made of stainless steel.

STERN
WILLIAMS
SERPENTINE
 HANDICAP ACCESSIBLE
 SHOWER FLOORS
**ARCHITECTURAL
 SPECIFICATIONS**



SERPENTINE SHOWER FLOOR
 — Three sides flanged —

| MODEL | SIZE |
|---------|-----------|
| WH-2200 | 36" x 36" |
| WH-2400 | 40" x 40" |
| WH-2500 | 42" x 42" |
| WH-2600 | 48" x 36" |
| WH-2700 | 48" x 48" |
| WH-2800 | 60" x 32" |
| WH-2900 | 60" x 34" |
| WH-3000 | 46" x 52" |

JOB

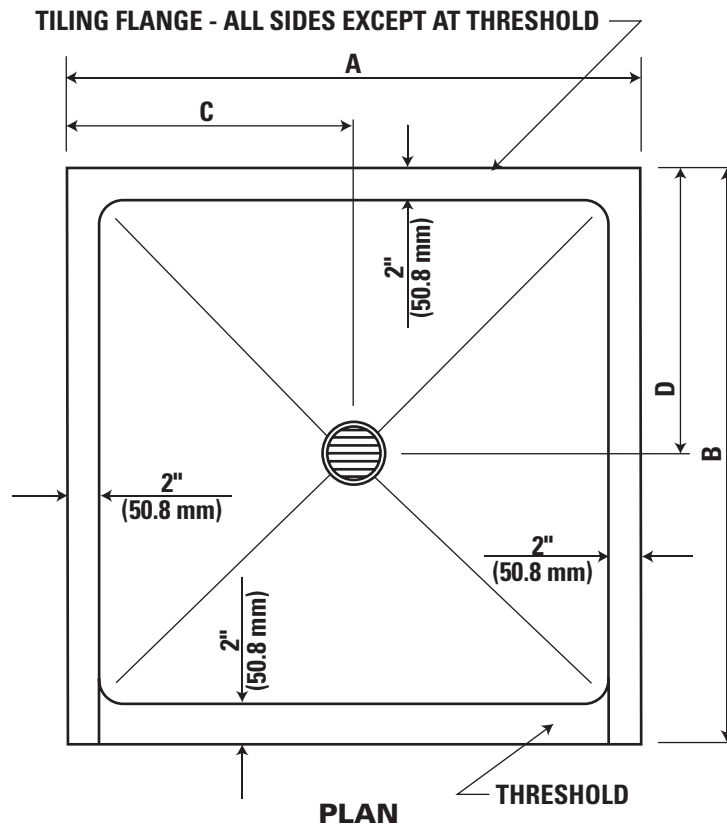
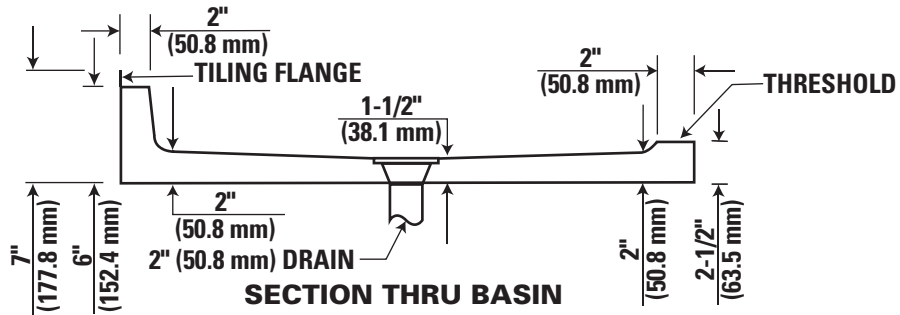
ENGINEER

LOCATION

CONTRACTOR

PROJECT:

SHOWER FLOOR (REDUCED THRESHOLD)



| MODEL | A | | B | | C | | D | |
|---------|----|---------|----|---------|----|-------|----|-------|
| | IN | MM | IN | MM | IN | MM | IN | MM |
| WH-2200 | 36 | 914.4 | 36 | 914.4 | 18 | 457.2 | 18 | 457.2 |
| WH-2400 | 40 | 1,016 | 40 | 1,016 | 20 | 508 | 20 | 508 |
| WH-2500 | 42 | 1,066.8 | 42 | 1,066.8 | 21 | 533.4 | 21 | 533.4 |
| WH-2600 | 48 | 1,219.2 | 36 | 914.4 | 24 | 609.6 | 18 | 457.2 |
| WH-2700 | 48 | 1,219.2 | 48 | 1,219.2 | 24 | 609.6 | 24 | 609.6 |
| WH-2800 | 60 | 1,524 | 32 | 812.8 | 30 | 762 | 16 | 406.4 |
| WH-2900 | 60 | 1,524 | 34 | 863.6 | 30 | 762 | 17 | 431.8 |
| WH-3000 | 46 | 1,168.4 | 52 | 1,320.8 | 23 | 584.2 | 8 | 203.2 |

Note:

1. For Barrier-Free installation, contractor shall provide recess for curb.
2. All dimensions subject to manufacturing variance of plus or minus 1/4".

Note: All dimensions subject to manufacturing variance of plus or minus 1/4" (6 MM).