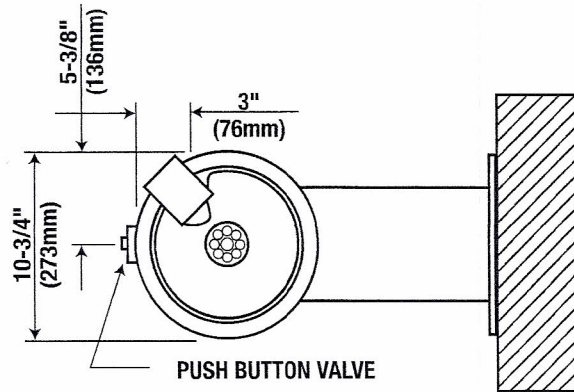
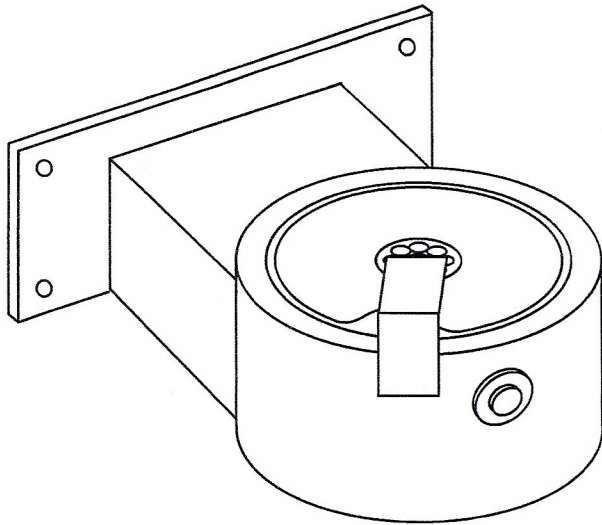
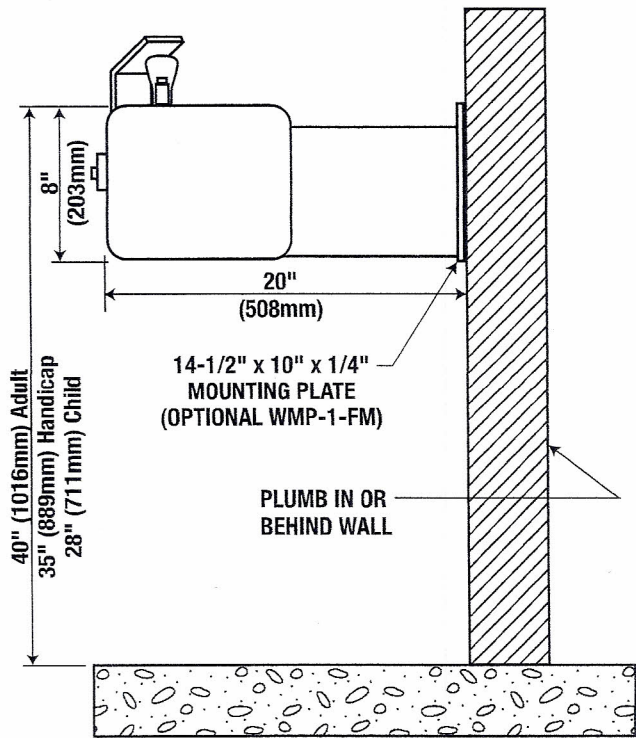
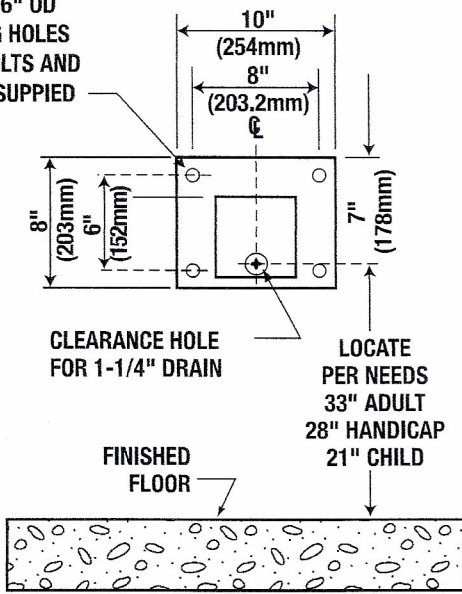


MODEL 5305
 All-Purpose Drinking Fountain—Steel pipe
 Mounting: Wall Mount



FOUR 9/16" OD
 MOUNTING HOLES
 FOR 1/2" BOLTS AND
 WASHERS SUPPLIED



**NOTE: OPTIONAL FLOOR SUPPORT CARRIER
 FLWMP-1-FM IS AVAILABLE AND ADVISABLE
 FOR IN WALL INSTALLATION.**

NOTE: THESE ROUGH-IN DIMENSIONS
 MAY VARY 1/2" (13 mm) PLUS OR MINUS

Note: All dimensions subject to manufacturing variance of plus or minus 1/4" (6 MM).