

SHOWER FLOOR

Model No. () Size ()

Shower Floor shall be of Williams precast terrazzo. Terrazzo shall be made of black and white marble chips cast in white Portland cement to produce a compressive strength of not less than 3000 PSI, seven days after casting. Terrazzo surface shall be ground smooth, grouted and sealed to resist stain. Flange cast integral shall be of galvanized-bonderized steel and shall extend not less than one inch above the shoulder. Drain body shall be cast integral, and shall provide for a caulked lead connection not less than one inch deep to a two inch pipe. Removable type strainer plate shall be made of stainless steel.

We recommend a floor drain at the entrance to the shower and the use of a weighted shower curtain.

This shower floor must be set on a level grout or mortar bed.

STERN

WILLIAMS

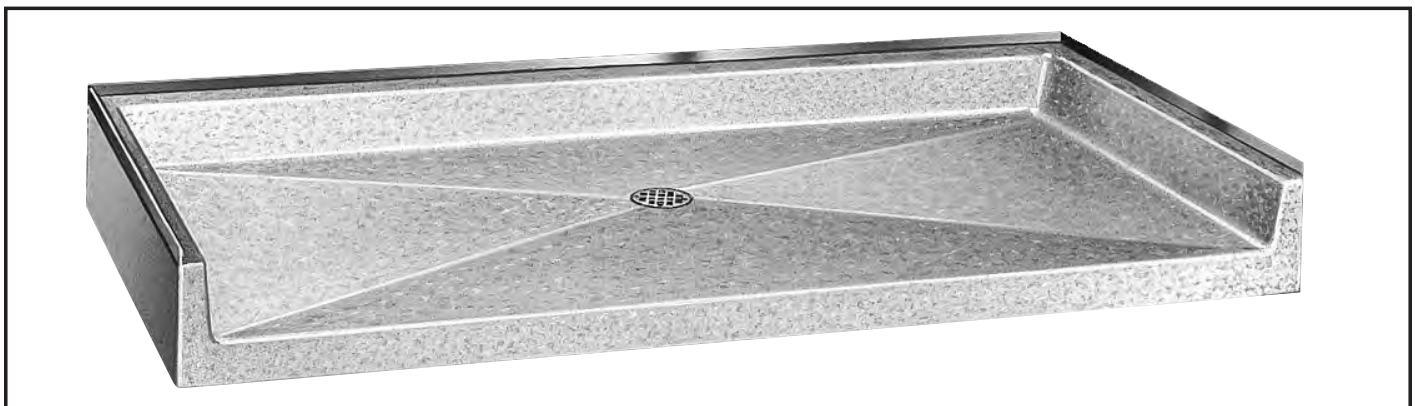
PARIAN
SHOWER FLOORS

ARCHITECTURAL
SPECIFICATIONS



Parian
TRANSFER TYPE
SHOWER FLOOR
—Three sides flanged—

MODEL	SIZE	MODEL	SIZE	MODEL	SIZE
WDA-3600	39X39	WDA-3620	60X36	WDA-3610	60X30



Parian
ROLL-IN TYPE
SHOWER FLOOR
—Three sides flanged—

MODEL	SIZE	MODEL	SIZE	MODEL	SIZE
WDA-3400	39X39	WDA-3420	60X36	WDA-3410	60X30

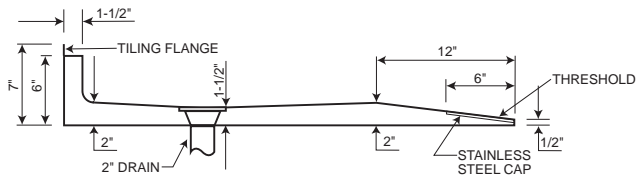
JOB

ENGINEER

LOCATION

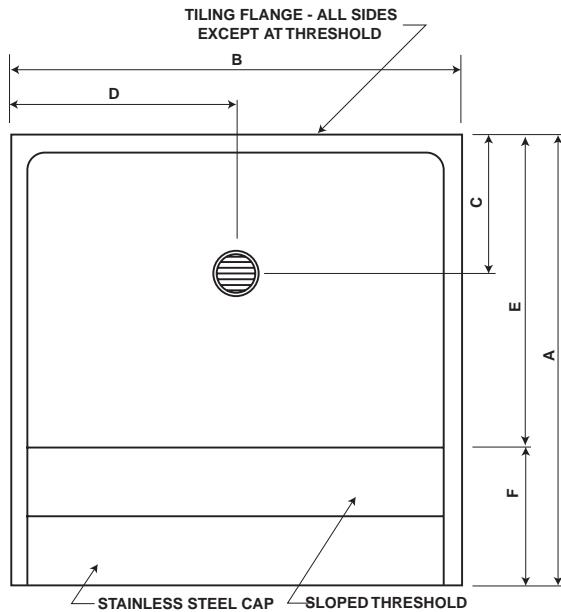
CONTRACTOR

— PARIAN SHOWER FLOORS — SERIES WDA



SECTION THRU SHOWER FLOOR

It is recommended that a floor drain at or near the entrance be included. These floors must be set on groutbed in order that floors be level.



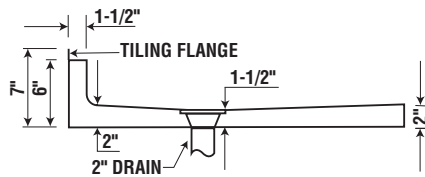
TRANSFER TYPE WDA-3600 SERIES

WDA-3600		
	IN	MM
A	39	990
B	39	990
C	12	305
D	19-1/2	495
E	27	685
F	12	305

WDA-3610		
	IN	MM
A	30	760
B	60	1525
C	12	305
D	30	760
E	18	457
F	12	305

WDA-3620		
	IN	MM
A	36	915
B	60	1525
C	12	305
D	30	760
E	24	610
F	12	305

ROLL-IN TYPE WDA-3400 SERIES

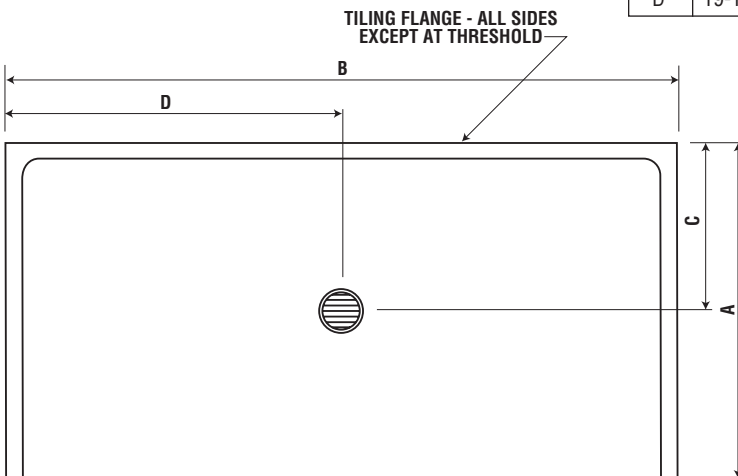


SECTION THRU SHOWER FLOOR

WDA-3400		
	IN	MM
A	39	990
B	39	990
C	19-1/2	495
D	19-1/2	495

WDA-3410		
	IN	MM
A	30	760
B	60	1525
C	15	305
D	30	760

WDA-3420		
	IN	MM
A	36	915
B	60	1525
C	18	457
D	30	760



Note:

1. For Barrier-Free installation, contractor shall provide recess for curb.
2. All dimensions subject to manufacturing variance of plus or minus 1/4".

Note: All dimensions subject to manufacturing variance of plus or minus 1/4" (6 MM).