

SHOWER FLOOR

Model No. () Size ()

Shower Floor shall be of Williams precast terrazzo. Terrazzo shall be made of black and white marble chips cast in white Portland cement to produce a compressive strength of not less than 3000 PSI, seven days after casting. Terrazzo surface shall be ground smooth, grouted and sealed to resist stain. Flange cast integral shall be of galvanized-bonderized steel and shall extend not less than one inch above the shoulder. Drain body shall be cast integral, and shall provide for a caulked lead connection not less than one inch deep to a two inch pipe. Removable type strainer plate shall be made of stainless steel.

We recommend a floor drain at the entrance to the shower and the use of a weighted shower curtain.

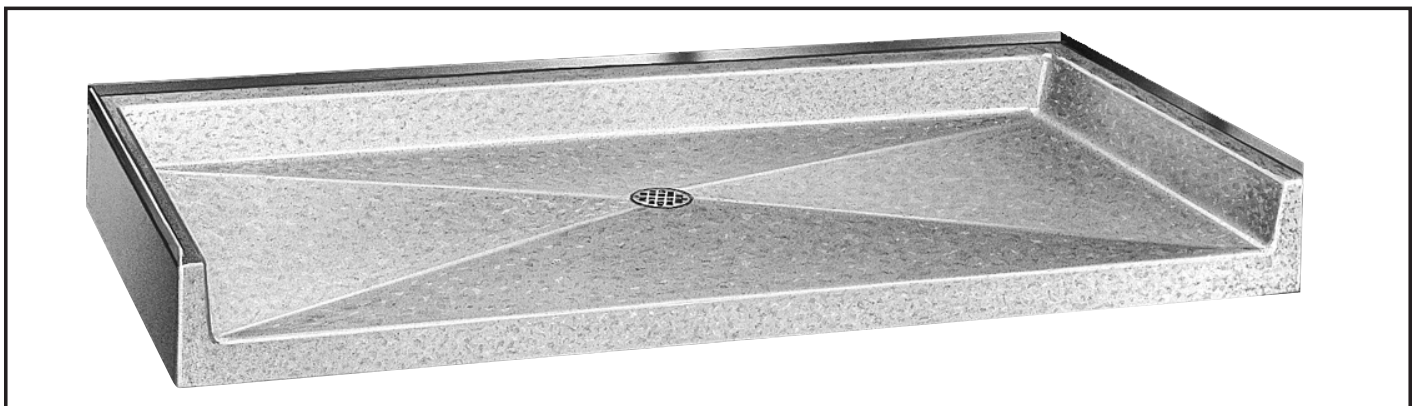
This shower floor must be set on a level grout or mortar bed.

STERN
WILLIAMS
 PARIAN
 SHOWER FLOORS
ARCHITECTURAL SPECIFICATIONS



Parian
 TRANSFER TYPE
 SHOWER FLOOR
 —Three sides flanged—

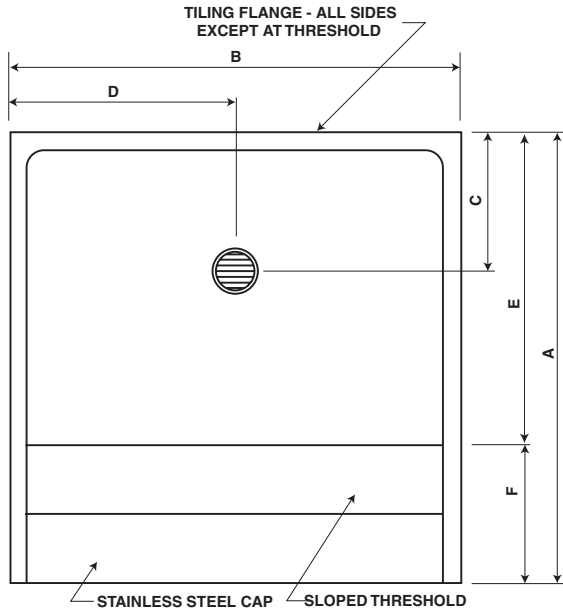
| MODEL | SIZE | MODEL | SIZE | MODEL | SIZE |
|----------|-------|----------|-------|----------|-------|
| WDA-3600 | 39X39 | WDA-3620 | 60X36 | WDA-3610 | 60X30 |
| | | | | | |



Parian
 ROLL-IN TYPE
 SHOWER FLOOR
 —Three sides flanged—

| MODEL | SIZE | MODEL | SIZE | MODEL | SIZE |
|----------|-------|----------|-------|----------|-------|
| WDA-3400 | 39X39 | WDA-3420 | 60X36 | WDA-3410 | 60X30 |
| | | | | | |

— PARIAN SHOWER FLOORS — SERIES WDA



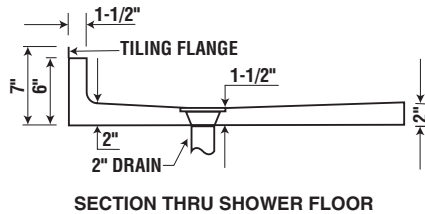
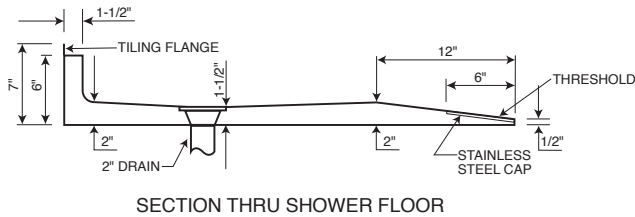
It is recommended that a floor drain at or near the entrance be included. These floors must be set on groutbed in order that floors be level.

TRANSFER TYPE WDA-3600 SERIES

| WDA-3600 | | |
|----------|--------|-----|
| | IN | MM |
| A | 39 | 990 |
| B | 39 | 990 |
| C | 12 | 305 |
| D | 19-1/2 | 495 |
| E | 27 | 685 |
| F | 12 | 305 |

| WDA-3610 | | |
|----------|----|------|
| | IN | MM |
| A | 30 | 760 |
| B | 60 | 1525 |
| C | 12 | 305 |
| D | 30 | 760 |
| E | 18 | 457 |
| F | 12 | 305 |

| WDA-3620 | | |
|----------|----|------|
| | IN | MM |
| A | 36 | 915 |
| B | 60 | 1525 |
| C | 12 | 305 |
| D | 30 | 760 |
| E | 24 | 610 |
| F | 12 | 305 |

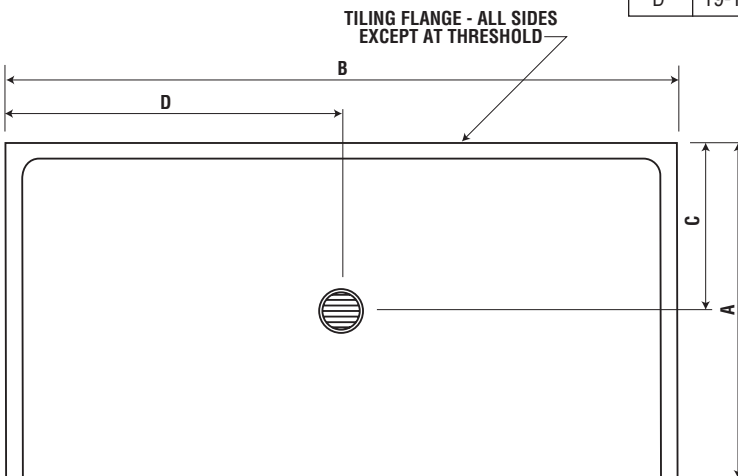


ROLL-IN TYPE WDA-3400 SERIES

| WDA-3400 | | |
|----------|--------|-----|
| | IN | MM |
| A | 39 | 990 |
| B | 39 | 990 |
| C | 19-1/2 | 495 |
| D | 19-1/2 | 495 |

| WDA-3410 | | |
|----------|----|------|
| | IN | MM |
| A | 30 | 760 |
| B | 60 | 1525 |
| C | 15 | 305 |
| D | 30 | 760 |

| WDA-3420 | | |
|----------|----|------|
| | IN | MM |
| A | 36 | 915 |
| B | 60 | 1525 |
| C | 18 | 457 |
| D | 30 | 760 |



Note:

1. For Barrier-Free installation, contractor shall provide recess for curb.
2. All dimensions subject to manufacturing variance of plus or minus 1/4".

Note: All dimensions subject to manufacturing variance of plus or minus 1/4" (6 MM).