

SHOWER FLOOR

Model No. () Size ()

Shower Floor shall be of Williams precast terrazzo. Terrazzo shall be made of black and white marble chips cast in white Portland cement to produce a compressive strength of not less than 3000 PSI, seven days after casting. Terrazzo surface shall be ground smooth, grouted and sealed to resist stain. Flange cast integral shall be of galvanized-bonderized steel and shall extend not less than one inch above the shoulder. Drain body shall be cast integral, and shall provide for a caulked lead connection not less than one inch deep to a two inch pipe. Removable type strainer plate shall be made of stainless steel.

We recommend a floor drain at the entrance to the shower and the use of a weighted shower curtain.

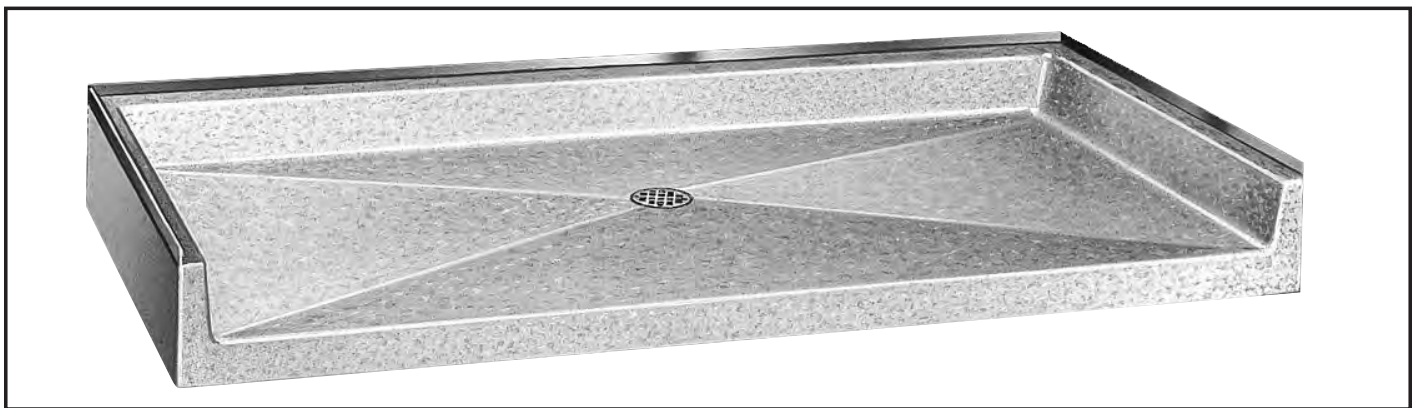
This shower floor must be set on a level grout or mortar bed.

STERN
WILLIAMS
 PENTELIC
 SHOWER FLOORS
**ARCHITECTURAL
 SPECIFICATIONS**



Pentelic
 TRANSFER TYPE
 SHOWER FLOOR
 —Three sides flanged—

MODEL	SIZE	MODEL	SIZE	MODEL	SIZE
WDA-3605	40X38	WDA-3660	64X38	WDA-3630	64X32



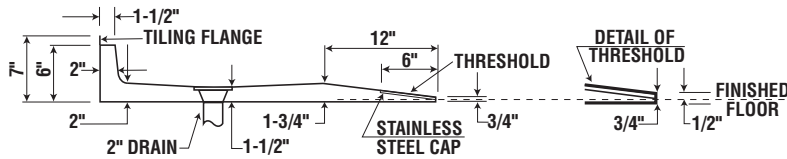
Pentelic
 ROLL-IN TYPE
 SHOWER FLOOR
 —Three sides flanged—

MODEL	SIZE	MODEL	SIZE	MODEL	SIZE
WDA-3405	40X38	WDA-3460	64X38	WDA-3430	64X32
		*		*	

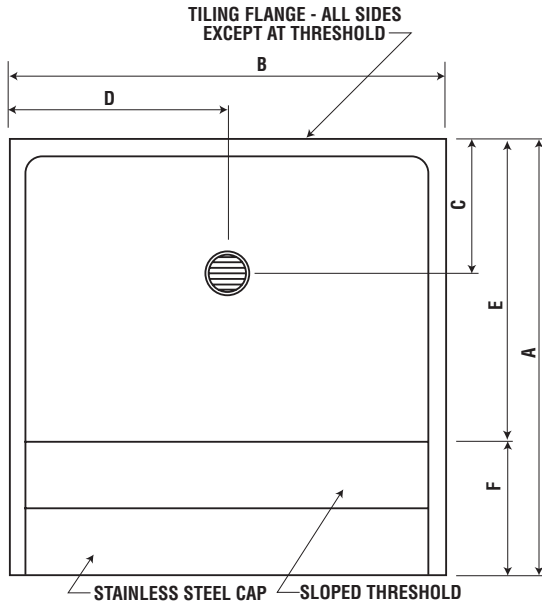


ADA Compliant *

— PENTELIC SHOWER FLOORS — SERIES WDA



SECTION THRU SHOWER FLOOR



Note:

1. This style floor was designed to be set 1/4" deep from the top of the finished floor.
2. It is recommend that a floor drain at or near the entrance be included.
3. Collapsible water dam available (-RDM).

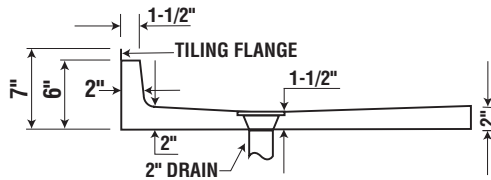
TRANSFER TYPE WDA-3600 SERIES

WDA-3605		
	IN	MM
A	38	965
B	40	1015
C	12	305
D	20	508
E	26	660
F	12	305

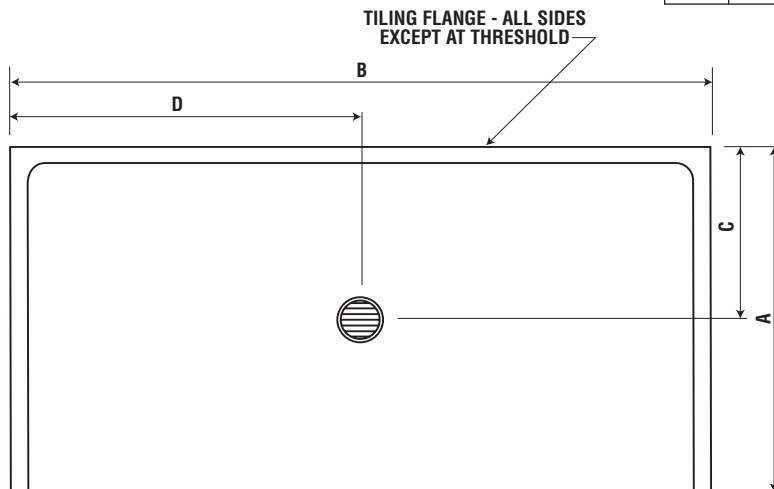
WDA-3630		
	IN	MM
A	32	813
B	64	1626
C	12	305
D	32	813
E	20	508
F	12	305

WDA-3660		
	IN	MM
A	38	965
B	64	1626
C	12	305
D	32	813
E	26	660
F	12	305

ROLL-IN TYPE WDA-3400 SERIES



SECTION THRU SHOWER FLOOR



WDA-3405		
	IN	MM
A	38	965
B	40	1015
C	19	483
D	20	508

WDA-3430		
	IN	MM
A	32	813
B	64	1626
C	16	406
D	32	813

WDA-3460		
	IN	MM
A	38	965
B	64	1626
C	19	483
D	32	813

Note:

1. For Barrier-Free installation, contractor shall provide recess for curb.
2. All dimensions subject to manufacturing variance of plus or minus 1/4".

Note: All dimensions subject to manufacturing variance of plus or minus 1/4" (6 MM).