



MODEL 5325 PEDESTAL DRINKING FOUNTAIN

The Model 5325 fountains are cylindrical and offer a striking design with clean, sleek lines. Designed to defy the elements, resist vandals and stand up to hard use.

-FP are frost proof models. It is recommended that a dual check valve backflow prevention be installed in the waterline going to any FP fountain.

-FPS are sanifrost models which will not allow stored water to re-enter the bubbler.

FEATURES

- Column is fabricated from one piece steel pipe and all exposed parts are recessed in welded steel plates
- Mounting plate comes standard
- Access plates are vandal resistant and provide easy maintenance
- Push button chrome plated brass valve recessed in 3/8" steel plate
- Steel bubbler guard(s) and chrome plated brass bubbler
- Adjustable flow regulation
- 18 gauge brush finished stainless steel receptor with a vandal resistant chrome plated brass drain plug
- Stainless steel supply fittings connected to reinforced tubing
- Woodland green powder coat finish with optional colors and stainless steel (-SS) available
- In-line mesh screen strainer
- 10-3/4" diameter steel pipe(s) with 3/16" wall thickness
- Delivers 8.0 GPH of chilled water refreshment
- Supply complete with 1/2" IPS lock shield screwdriver stop
- 1-1/4" IPS waste pipes included with every fountain



(Shown above) Model 5325 with -90 pet fountain and -32-SC self-closing, hose end and vacuum breaker

13920 Cypress Lane Grandview, MO 64030 | 913-362-5635 | sternwilliams.com

REVISED: 04/23



ORDERING OPTIONS

Part Number

5325-



Optional

- 31:** Chrome Plated Self-closing Jug Filler
- 32:** RCP Hose bibb with VB
- 32-LK:** RCP Hose bibb with VB and Loose Key
- 32-SC:** Self Closing Hose bibb with VB
- 34:** Frost Proof Jug Filler
- 35-VP:** Recessed Hose Bibb with Locking Cover
- 36:** Push Button Jug Filler
- 37:** Foot spray
- 38:** Shutdown/Drain Valve
- 40:** Commemorative plaque
- 84:** Water filter
- 85:** Valve Box (Recommended for -FP)
- 87:** Metal Valve Box
- 90:** Pet fountain
- 90-FP:** Frost proof
- 95:** Sand trap
- 96:** Sand strainer plate
- SMP-10:** Surface mounting plate
- SS:** Stainless steel finish

5325-FP-



Optional

- 31:** Chrome Plated Self-closing Jug Filler
- 32:** RCP Hose bibb with VB
- 32-LK:** RCP Hose bibb with VB and Loose Key
- 32-SC:** Self Closing Hose bibb with VB
- 34:** Frost Proof Jug Filler
- 35-VP:** Recessed Hose Bibb with Locking Cover
- 36:** Push Button Jug Filler
- 37:** Foot spray
- 38:** Shutdown/Drain Valve
- 40:** Commemorative plaque
- 84:** Water filter
- 85:** Valve Box (Recommended for -FP)
- 87:** Metal Valve Box
- 90:** Pet fountain
- 90-FP:** Frost proof
- 95:** Sand trap
- 96:** Sand strainer plate
- SMP-10:** Surface mounting plate
- SS:** Stainless steel finish

5325-FPS-



Optional

- 31:** Chrome Plated Self-closing Jug Filler
- 32:** RCP Hose bibb with VB
- 32-LK:** RCP Hose bibb with VB and Loose Key
- 32-SC:** Self Closing Hose bibb with VB
- 34:** Frost Proof Jug Filler
- 34-FPS:** Sanifrost Jug Filler
- 35-VP:** Recessed Hose Bibb with Locking Cover
- 36:** Push Button Jug Filler
- 37:** Foot spray
- 38:** Shutdown/Drain Valve
- 40:** Commemorative plaque
- 84:** Water filter
- 85:** Valve Box (Recommended for -FP)
- 87:** Metal Valve Box
- 90:** Pet fountain
- 90-FPS:** Sanifrost pet fountain
- 95:** Sand trap
- 96:** Sand strainer plate
- SMP-10:** Surface mounting plate
- SS:** Stainless steel finish

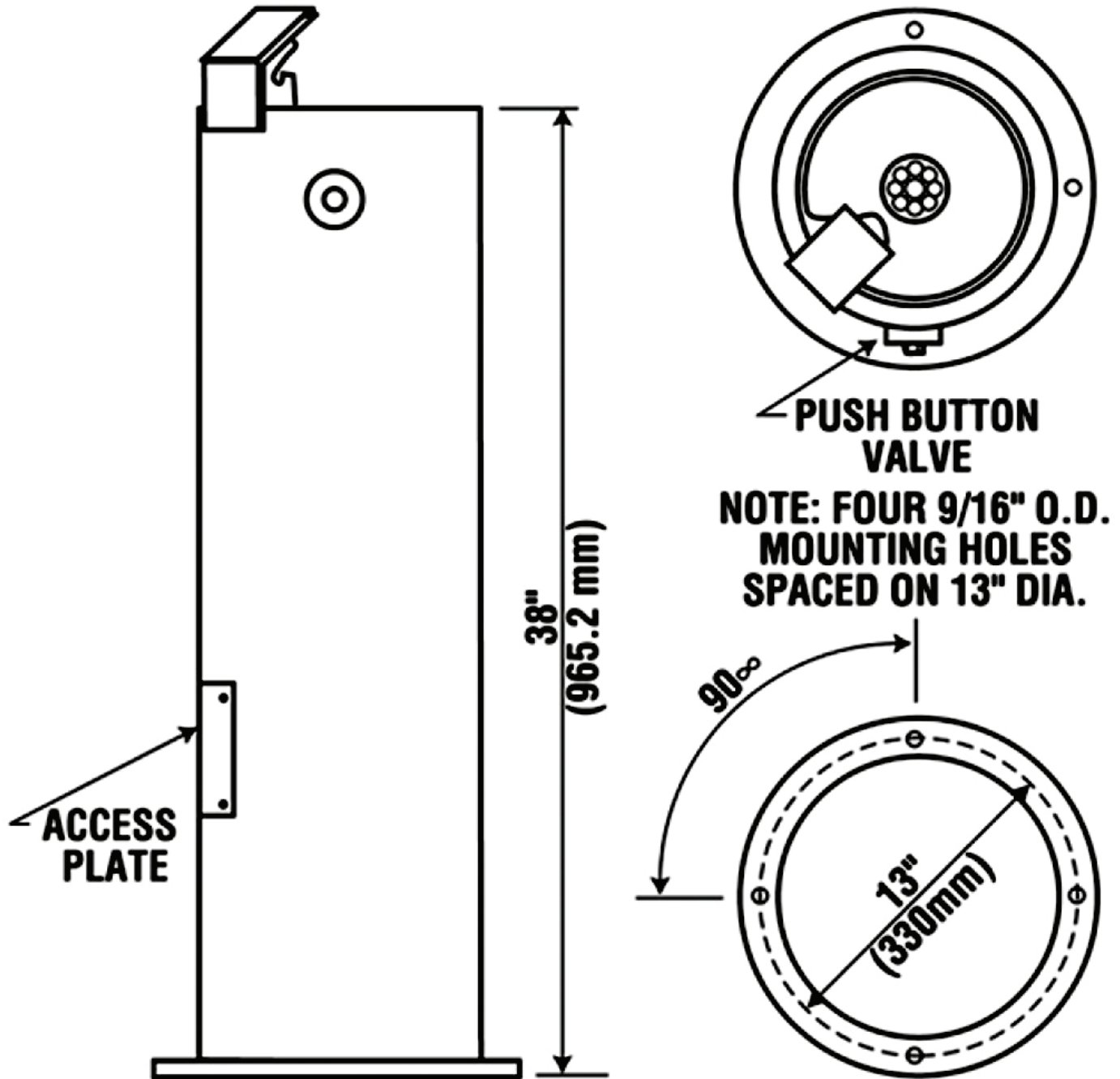
*A maximum of 3 options may be added to a fountain.

DIMENSIONS

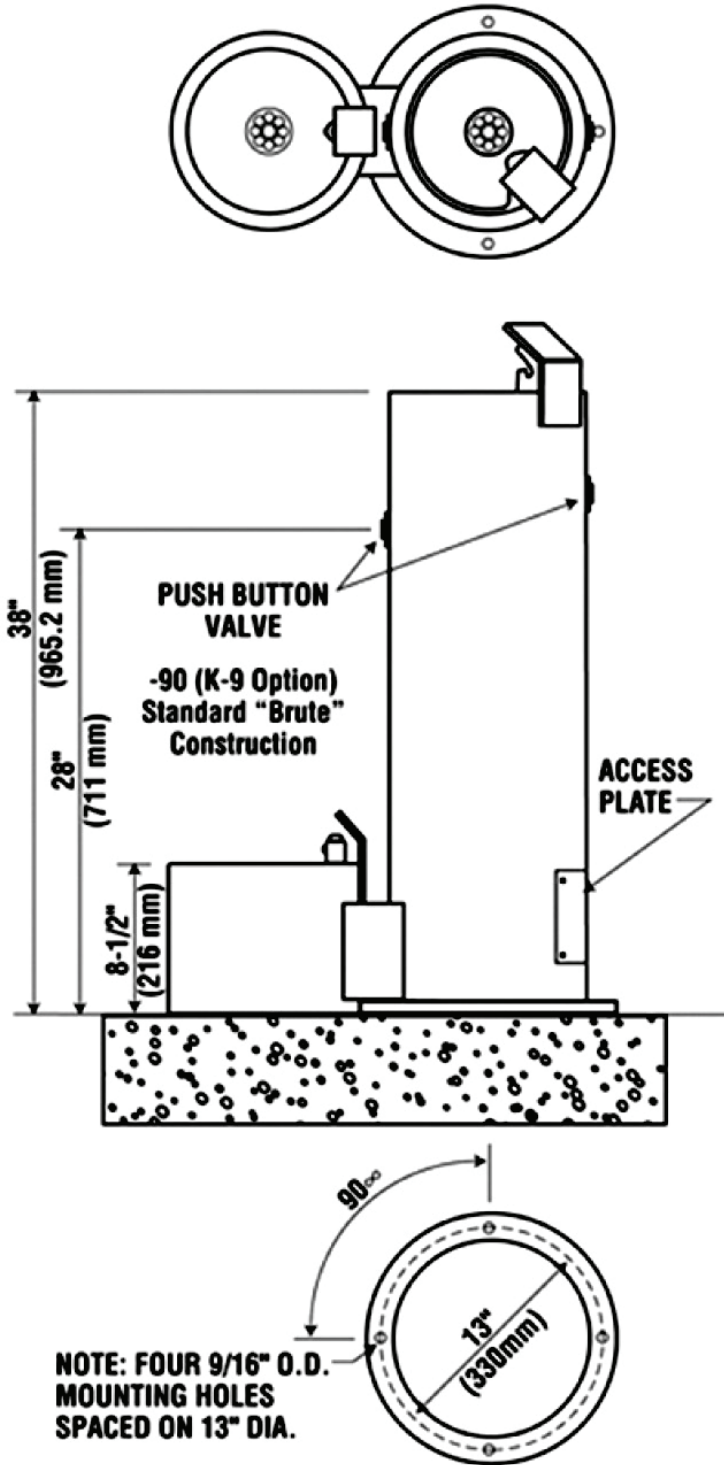
These rough-in dimensions may vary 1/2" (13 mm) plus or minus

- 5325** 36"H x 10-3/4"W x 14-1/2" Dia. base / Surface mount
- 5325-FP** 36"H x 10-3/4"W x 14-1/2" Dia. base / With freeze proof valve system
- 5325-FPS** 36"H x 10-3/4"W x 14-1/2" Dia. base / Sanifrost

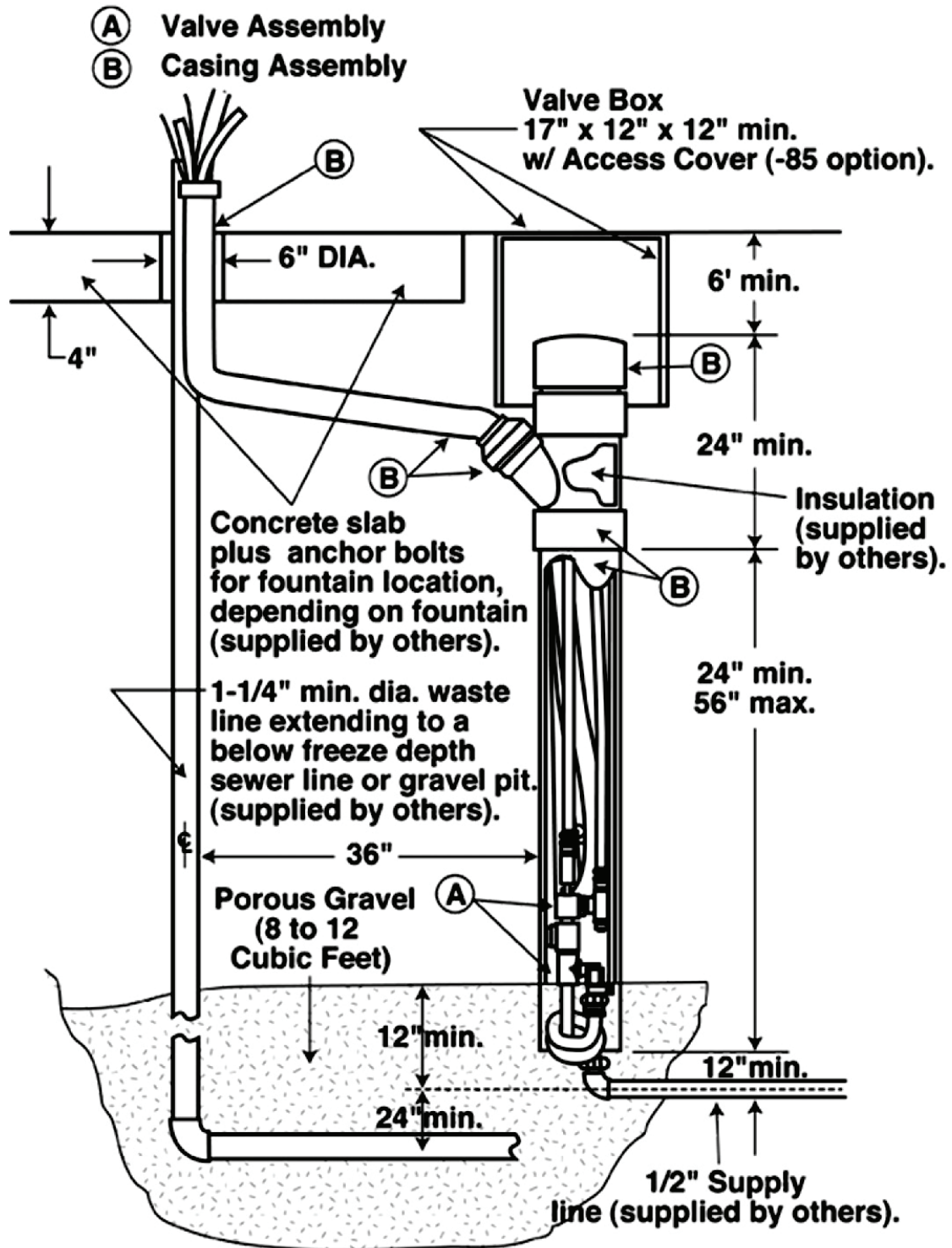
13920 Cypress Lane Grandview, MO 64030 | 913-362-5635 | sternwilliams.com



5325-90



5325-FP



5325-FPS

