

MODEL 5335, 5410 & 5710 CHILD HEIGHT DRINKING FOUNTAINS

Our low-profile children's height Model 5335, Model 5410, and Model 5710 fountains are an excellent choice for daycare centers and preschools.

-FP are frost proof models.

Model 5335 are single pedestal fountains.

Model 5410 are pedestals with arm drinking fountains. Model 5410 fountains are also available as 5410-TX4 for Texas ages 4-11 or as 5410-TX11 for Texas ages 11-15.

Model 5710 are dual drinking fountains.

It is recommended that a dual check valve backflow prevention be installed in the waterline going to any FP fountain

FEATURES

- Column is fabricated from one piece steel pipe and all exposed parts are recessed in welded steel plates
- Mounting plate and stainless steel bottom plate come standard
- Access plates are vandal resistant and provide easy maintenance
- Push button chrome plated brass valve recessed in 3/8" steel plate
- Steel bubbler guard(s) and chrome plated brass bubbler
- Welded bottom plate with special drain tool supplied for maintenance
- Heavy 3/8" sheet steel arm
- 18 gauge brush finished stainless steel receptor with a vandal resistant chrome plated brass drain plug
- Stainless steel supply fittings connected to reinforced tubing
- Woodland green powder coat finish with optional colors and stainless steel (-SS) available
- 10-3/4" diameter steel pipe(s) with 3/16" wall thickness
- Delivers 8.0 GPH of chilled water refreshment
- Supply complete with 1/2" IPS lock shield screwdriver stop
- 1-1/4" IPS waste pipes included with every fountain

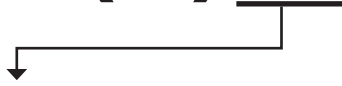


(Shown above) Model 5335

ORDERING OPTIONS

Part Number

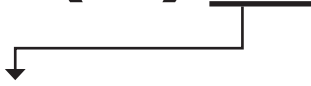
5335-(FP)-



Optional

- SS:** Stainless steel finish
- 31:** Chrome Plated Jug Filler
- 32:** RCP Hose bibb with VB
- 32-LK:** RCP Hose bibb with VB and Key
- 32-SC:** Self Closing Hose bibb with VB
- 34:** Frost Proof Jug Filler
- 35-VP:** Recessed Hose Bibb with Lock
- 36:** Push Button Jug Filler
- 37:** Foot Spray
- 38:** Shutdown/Drain Valve
- 40:** Commemorative Plaque
- 84:** Water Filter
- 87:** Metal Valve Box
- 90:** Pet Fountain attached
- 90-SS:** Stainless Steel
- 95:** Sand Trap
- 96:** Sand Strainer Plate
- SMP-10:** Surface Mounting Plate

5410-(FP)-



Optional

- SS:** Stainless steel finish
- 31:** Chrome Plated Jug Filler
- 32:** RCP Hose bibb with VB
- 32-LK:** RCP Hose bibb with VB and Key
- 32-SC:** Self Closing Hose bibb with VB
- 34:** Frost Proof Jug Filler
- 35-VP:** Recessed Hose Bibb with Lock
- 36:** Push Button Jug Filler
- 37:** Foot Spray
- 38:** Shutdown/Drain Valve
- 40:** Commemorative Plaque
- 84:** Water Filter
- 87:** Metal Valve Box
- 90:** Pet Fountain attached
- 90-SS:** Stainless Steel
- 95:** Sand Trap
- 96:** Sand Strainer Plate
- SMP-10:** Surface Mounting Plate
- TX4:** Suitable for children 4-11 in TX
- TX11:** Suitable for children 11-15 in TX

5710-(FP)-



Optional

- SS:** Stainless steel finish
- 31:** Chrome Plated Jug Filler
- 32:** RCP Hose bibb with VB
- 32-LK:** RCP Hose bibb with VB and Key
- 32-SC:** Self Closing Hose bibb with VB
- 34:** Frost Proof Jug Filler
- 35-VP:** Recessed Hose Bibb with Lock
- 36:** Push Button Jug Filler
- 37:** Foot Spray
- 38:** Shutdown/Drain Valve
- 40:** Commemorative Plaque
- 84:** Water Filter
- 87:** Metal Valve Box
- 90:** Pet Fountain attached
- 90-SS:** Stainless Steel
- 95:** Sand Trap
- 96:** Sand Strainer Plate
- SMP-10:** Surface Mounting Plate

*A maximum of 3 options may be added to a fountain.

DIMENSIONS

These rough-in dimensions may vary 1/2" (13 mm) plus or minus

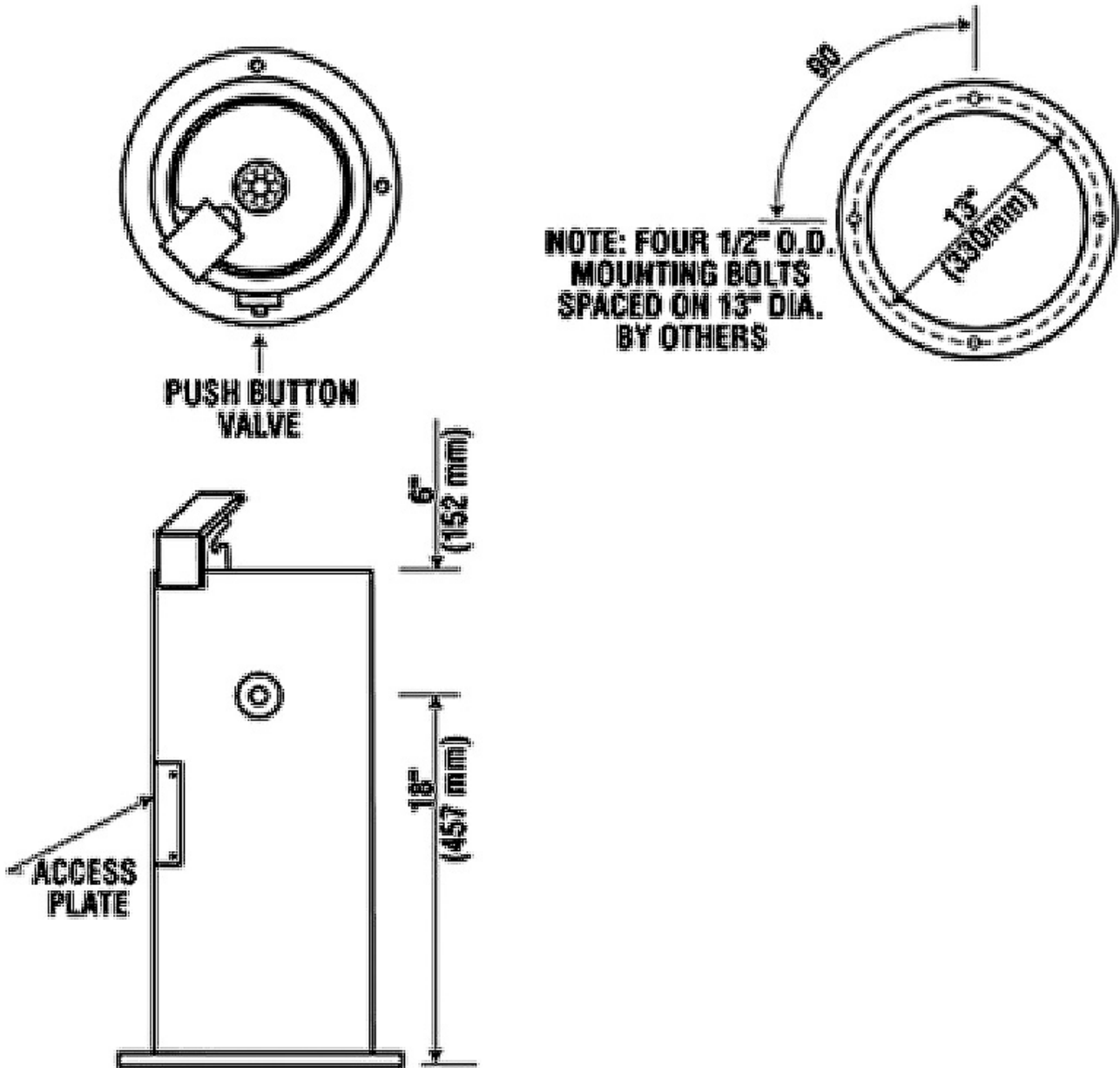
5335 24"H x 10-3/4"W x 14-1/2" Dia. base / Surface Mount

5410 32-1/4"Hx10-3/4"Wx30-3/4"L / Surface Mount

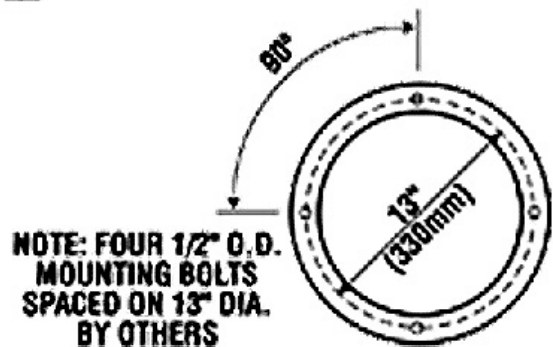
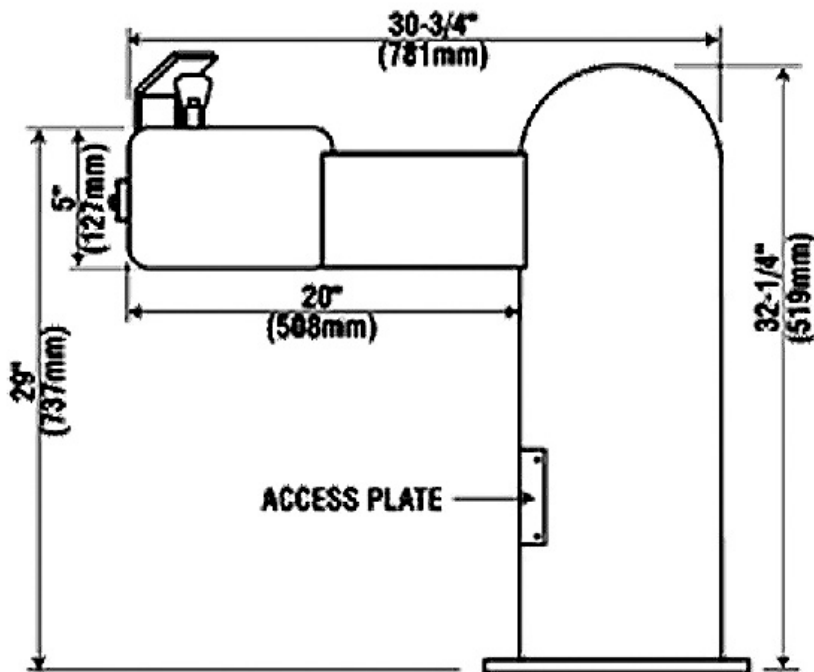
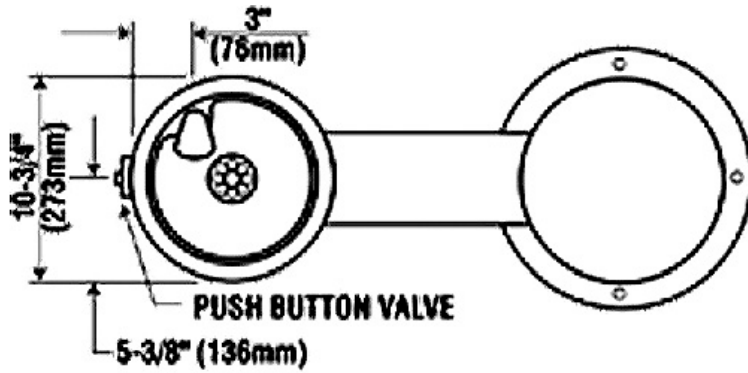
5410-TX4 34-1/4"Hx10-3/4"Wx30-3/4"L / Surface Mount; Texas(TAS)ages 4-11

5410-TX11 36-1/4"Hx10-3/4"Wx30-3/4"L / Surface Mount; Texas(TAS)ages 11-15

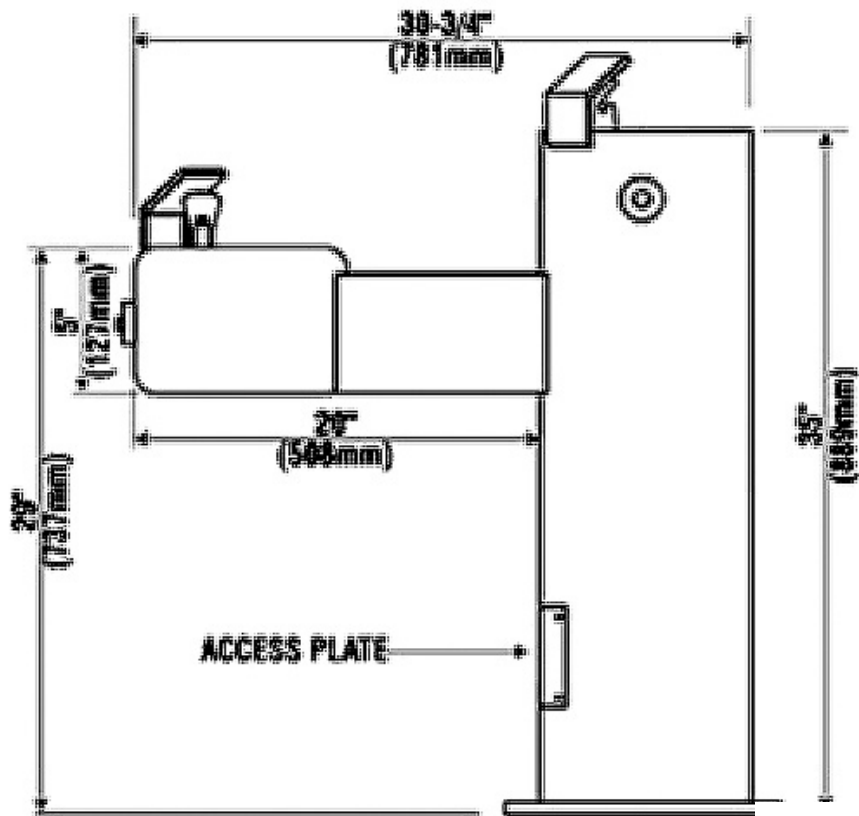
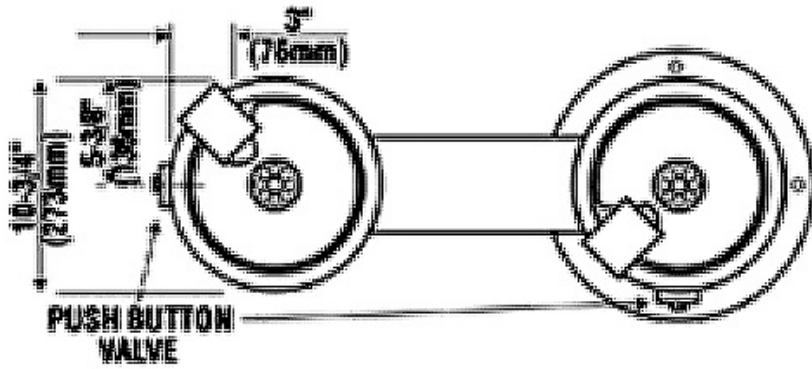
5710 35"H x 10-3/4"W x 30-3/4"L / Surface Mount



5410



5710



NOTE: FOUR 1/2" O.D. MOUNTING BOLTS SPACED ON 13" DIA. BY OTHERS

