

MODEL 7300 & 7315 WALL MOUNTED BOTTLE FILLER

Fill your bottle with a gravity-type spout and a recessed push-button with flow adjustment. Available with or without a drinking fountain.

ADA Compliant

Model 7300 is a bottle filler only.
Model 7315 is a bottle filler and drinking fountain.



(Shown above) Model 7315

FEATURES

- Column is fabricated from one piece steel pipe and all exposed parts are recessed in welded steel plates
- Mounting plate comes standard
- Access plates are vandal resistant and provide easy maintenance
- Push button chrome plated brass valve recessed in 3/8" steel plate
- Steel bubbler guard(s) and chrome plated brass bubbler
- Adjustable flow regulation
- Heavy 3/8" sheet steel arm
- 18 gauge brush finished stainless steel receptor with a vandal resistant chrome plated brass drain plug
- Stainless steel supply fittings connected to reinforced tubing
- Woodland green powder coat finish with optional colors and stainless steel (-SS) available
- In-line mesh screen strainer
- Replaceable in-line water filter
- 10-3/4" diameter steel pipe(s) with 3/16" wall thickness
- Delivers 8.0 GPH of chilled water refreshment
- Supply complete with 1/2" IPS lock shield screwdriver stop
- 1-1/4" IPS waste pipes included with every fountain

ORDERING OPTIONS

Part Number

7300-



Optional

- SS:** Stainless steel
- FLWMP-1:** Support carrier with mounting plate

7315-



Optional

- RV:** Reverse heights
- SS:** Stainless steel
- FLWMP-2:** Support carrier with mounting plate

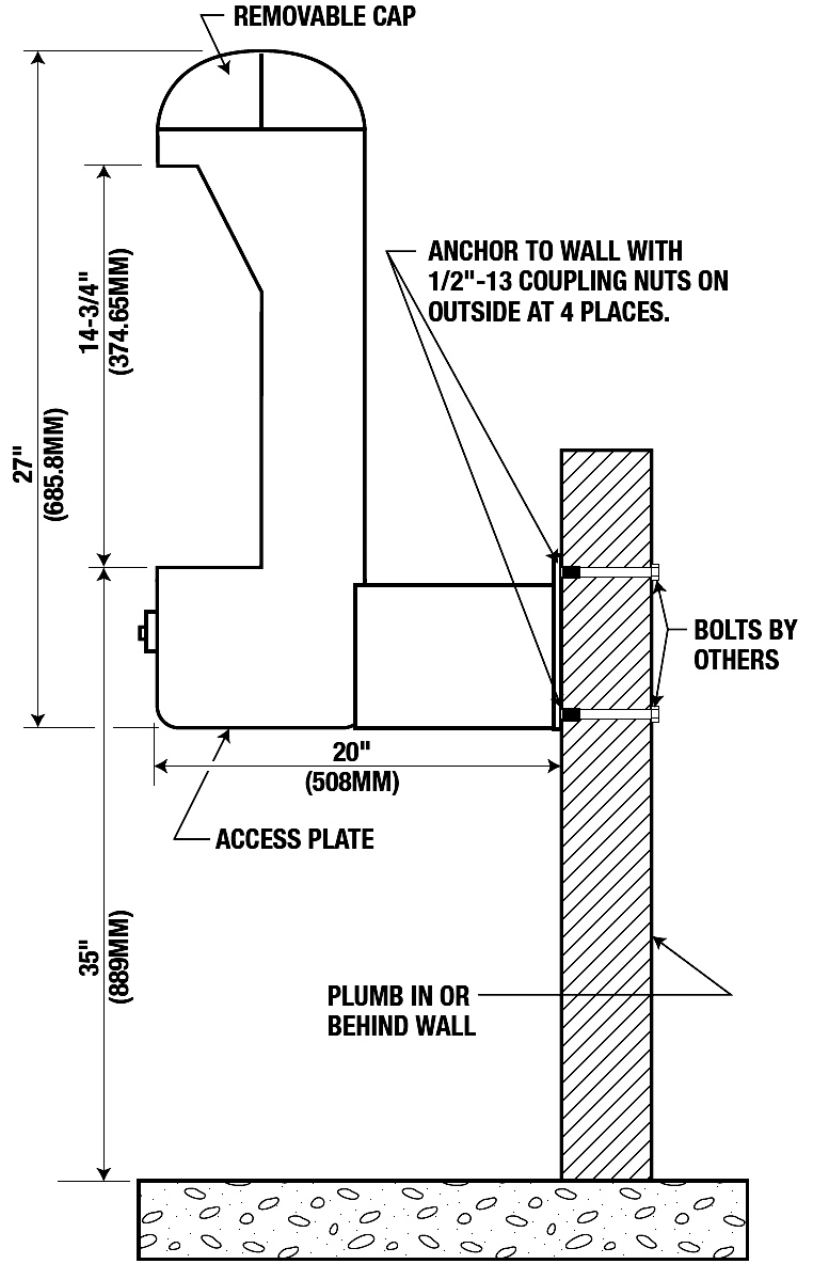
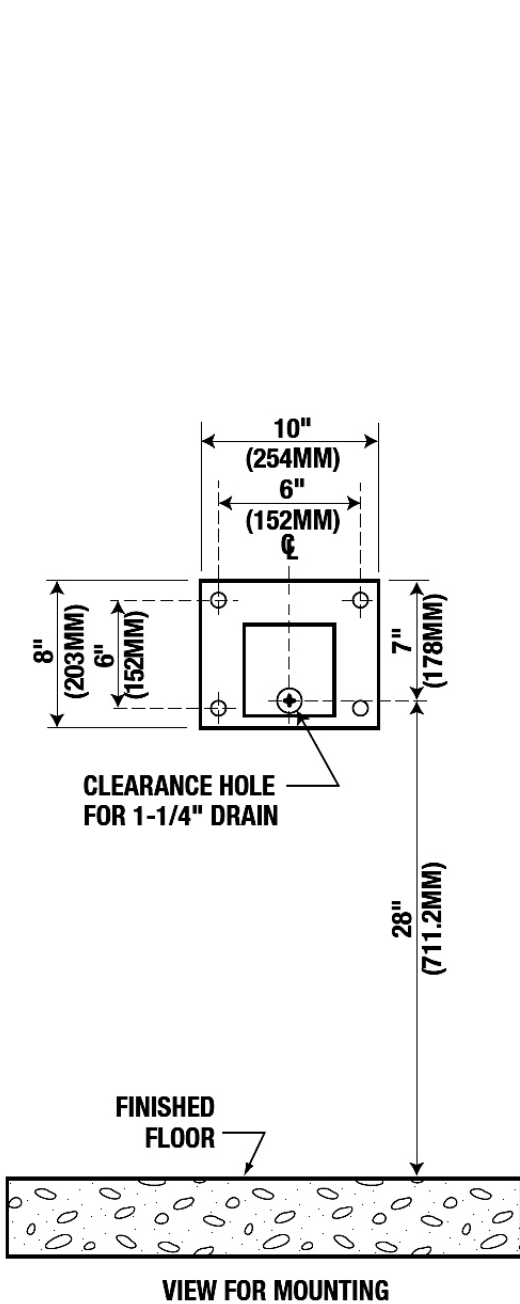
*A maximum of 3 options may be added to a fountain.

DIMENSIONS

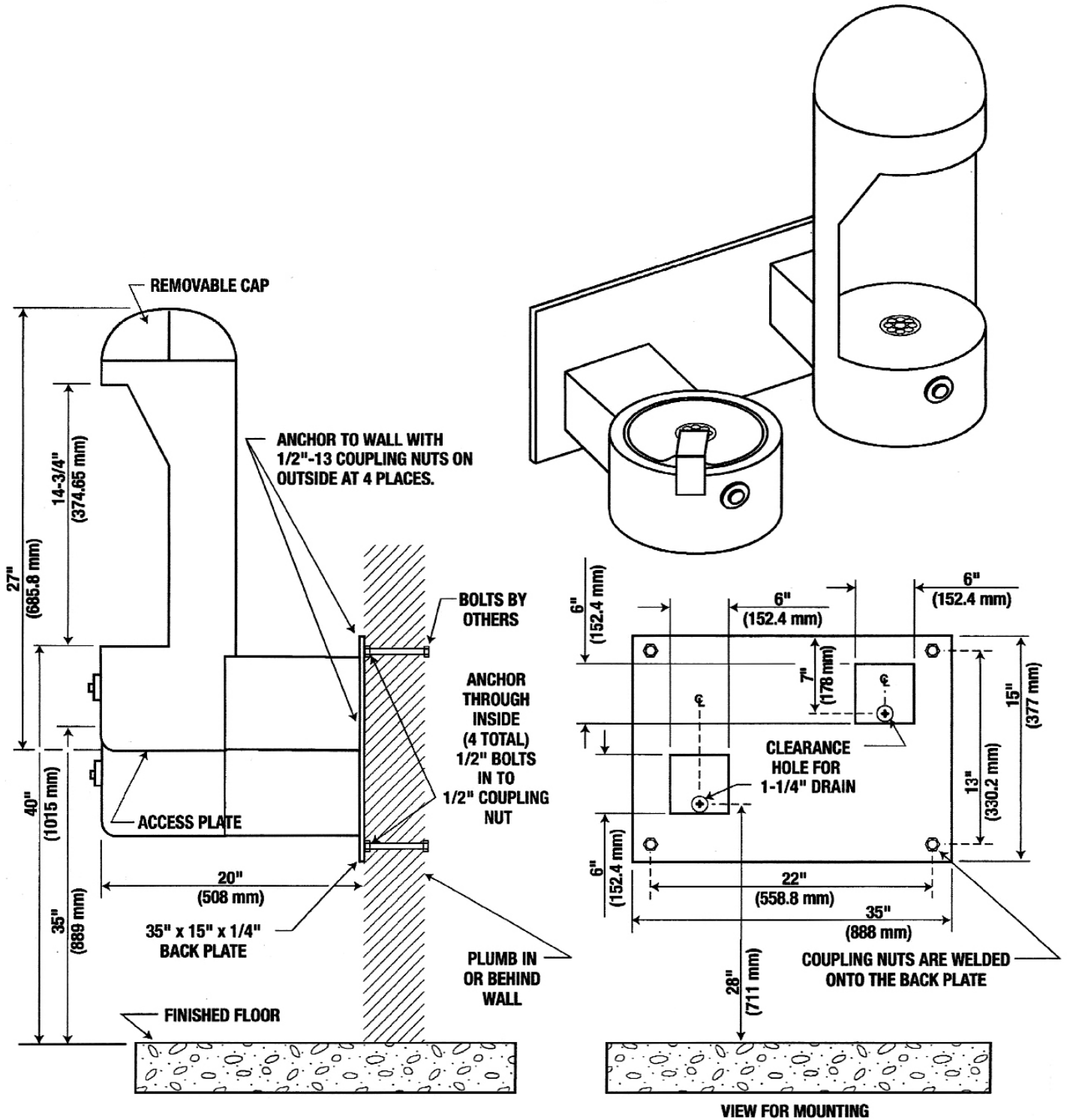
All dimensions subject to manufacturing variance of plus or minus 1/4" (6 mm)

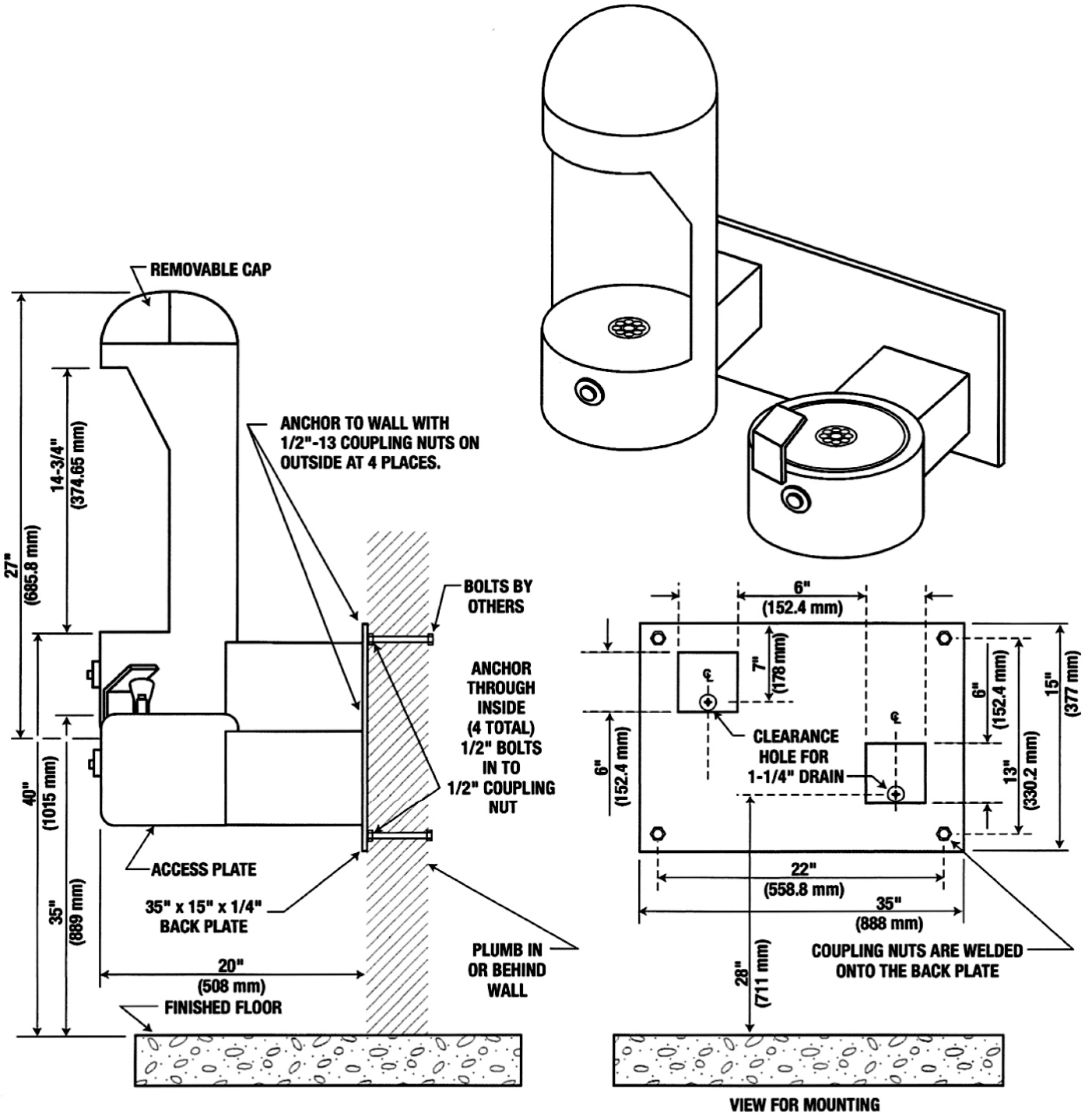
7300 27"H x 20"L

7315 34 1/2"H x 20"L



NOTE: OPTIONAL FLOOR SUPPORT CARRIER FLWMP-1 IS AVAILABLE AND ADVISABLE FOR IN WALL INSTALLATION.





**NOTE: OPTIONAL FLOOR SUPPORT CARRIER
FLWMP-2 IS AVAILABLE AND ADVISABLE
FOR IN WALL INSTALLATION.**