

## MODEL BF-5000, BF-5020 & BF-5040

### BARRIER-FREE STAINLESS STEEL WALL MOUNTED FOUNTAIN

Lustrous satin-finish stainless steel satisfies the criteria for cleanliness and easy care in medical centers and office buildings. Push button control located on front panel. Vandal resistant bottom plate and mounting plate are standard. Beveled front with or without back plate.

-FP are frost proof models. It is recommended that a dual check valve backflow prevention be installed in the waterline going to any FP fountain.

Model BF-5000 and BF-5000-FP are two levels with back plate  
Model BF-5020 and BF-5020-FP are single with back plate  
Model BF-5040 and BF-5040-FP are single with front push button



## FEATURES

- Mounting plate comes standard
- Access plates are vandal resistant and provide easy maintenance
- Push button valve on front
- Adjustable flow regulation
- 18 gauge brush finished stainless steel receptor with a vandal resistant chrome plated brass drain plug
- Stainless steel supply fittings connected to reinforced tubing
- In-line mesh screen strainer
- Attractive, protective stainless steel back plate
- Delivers 8.0 GPH of chilled water refreshment
- Supply complete with 1/2" IPS lock shield screwdriver stop
- 1-1/4" IPS waste pipes included with every fountain

(Shown top to bottom) Model BF-5000, BF-5020, BF-5040

## ORDERING OPTIONS

---

Part Number

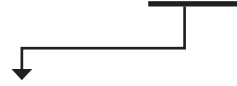
### BF-5000-



**Optional**

- BFCA-1:** Cane Touch Apron
- RV:** Reverse heights

### BF-5000-FP-



**Optional**

- BFCA-1:** Cane Touch Apron
- RV:** Reverse heights

### BF-5020-



**Optional**

- BFCA-1:** Cane Touch Apron

### BF-5020-FP-



**Optional**

- BFCA-1:** Cane Touch Apron

### BF-5040-



**Optional**

- BFCA-1:** Cane Touch Apron

### BF-5040-FP-



**Optional**

- BFCA-1:** Cane Touch Apron

## DIMENSIONS

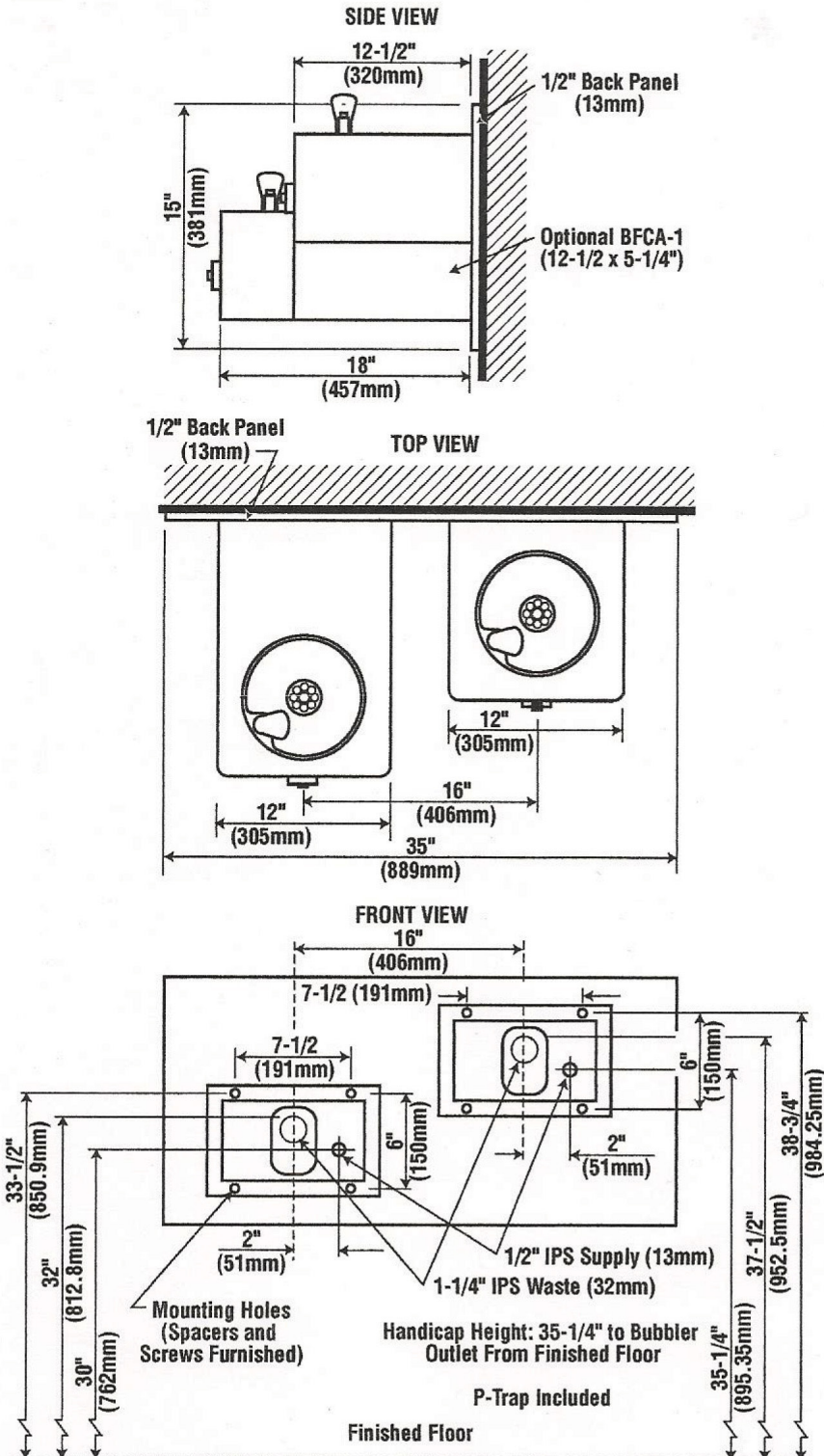
---

All dimensions subject to manufacturing variance of plus or minus 1/4" (6 mm)

**BF-5000** 14-7/8"H x 35"W with 18-1/2" extension

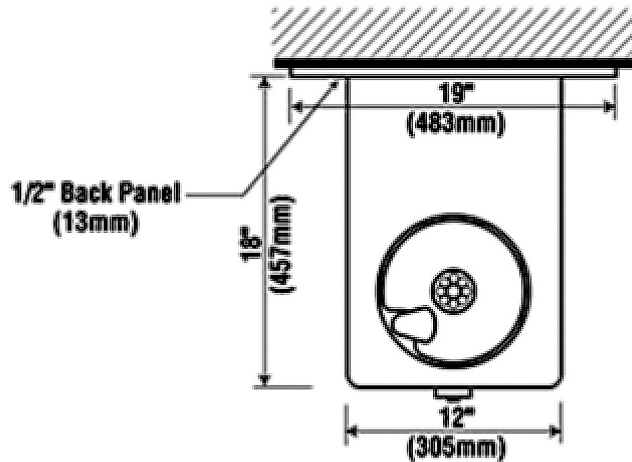
**BF-5020** 9-5/8"H x 19"W with 18-1/2" extension

**BF-5040** 7"H x 12"W with 18" extension

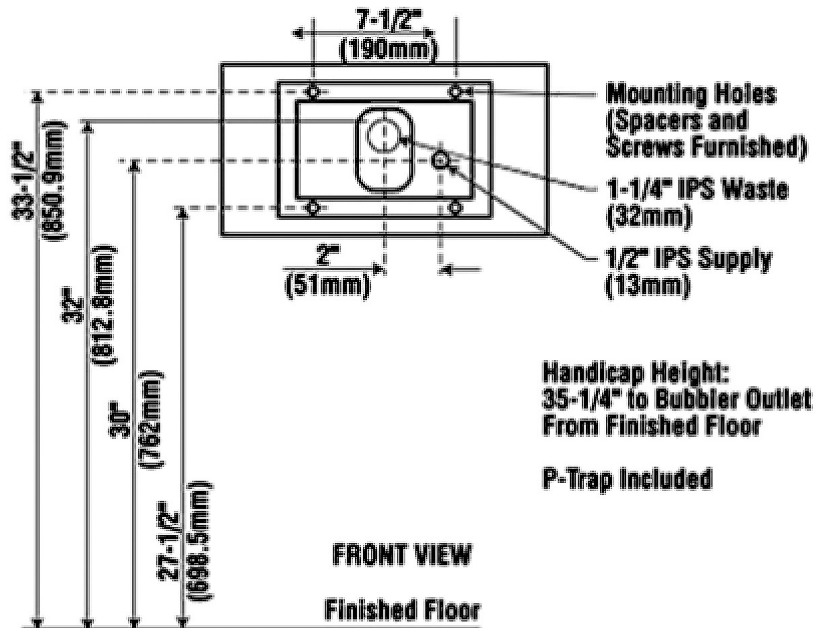
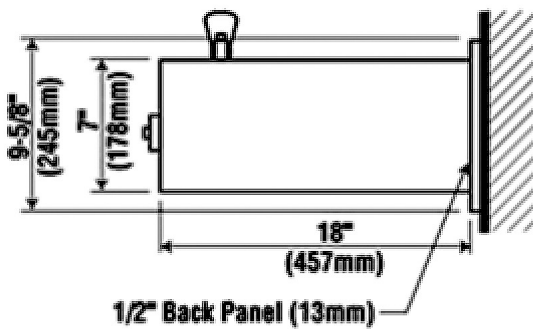
**BF-5000**


**BF-5020**

**BF-5020 TOP VIEW**

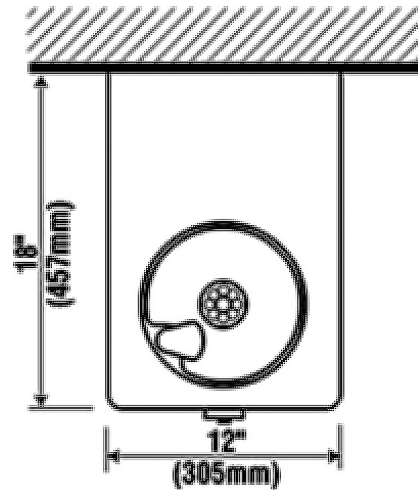


**BF-5020 - WITH BACK PLATE**



**BF-5040**

**BF-5040 TOP VIEW**



**BF-5040 - WITHOUT BACK PLATE**

