

MODEL BFR WALL MOUNTED REFRIGERATED FOUNTAINS

Our line of stainless steel, wall mounted, refrigerated drinking fountains are versatile for what you need with a traditional beveled front and push button on front panel.

Model BFR-6000 is a two level fountain with push button

Model BFR-6025 is a two level fountain with sensor

Model BFR-6050 is a single level fountain with push button

Model BFR-6075 is a single level fountain with sensor

FEATURES

- Mounting plate comes standard
- Access plates are vandal resistant and provide easy maintenance
- Push button valve on front
- Adjustable flow regulation
- 18 gauge brush finished stainless steel receptor with a vandal resistant chrome plated brass drain plug
- Stainless steel supply fittings connected to reinforced tubing
- In-line mesh screen strainer
- Attractive, protective stainless steel back plate
- Delivers 8.0 GPH of chilled water refreshment
- Supply complete with 1/2" IPS lock shield screwdriver stop
- 1-1/4" IPS waste pipes included with every fountain

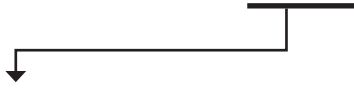


(Shown from top to bottom) Model BFR-6025, BFR-6050

ORDERING OPTIONS

Part Number

BFR-6000-



Optional

- RV:** Reverse heights
- BFCA-1:** Cane Touch Apron
- WC-8-2:** Frost Proof

BFR-6025-



Optional

- RV:** Reverse heights
- BFCA-1:** Cane Touch Apron
- WC-8-2:** Frost Proof

BFR-6050-



Optional

- RV:** Reverse heights
- BFCA-1:** Cane Touch Apron
- WC-8-2:** Frost Proof

BFR-6075-



Optional

- RV:** Reverse heights
- BFCA-1:** Cane Touch Apron
- WC-8-2:** Frost Proof

DIMENSIONS

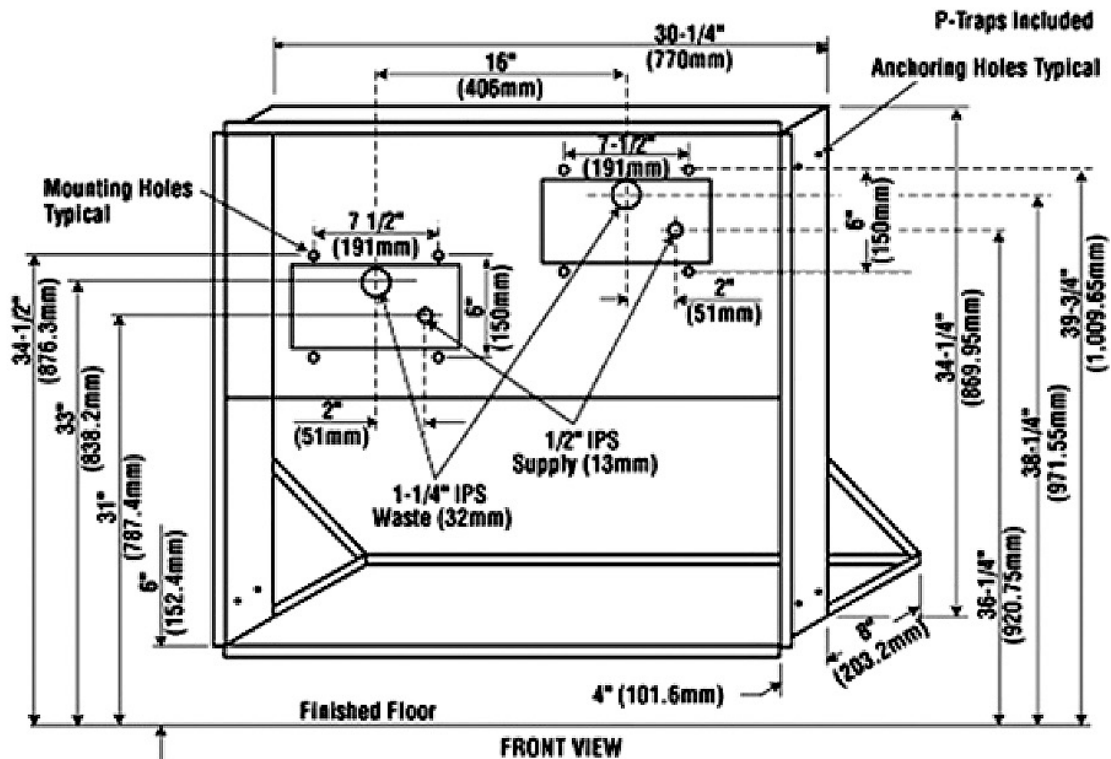
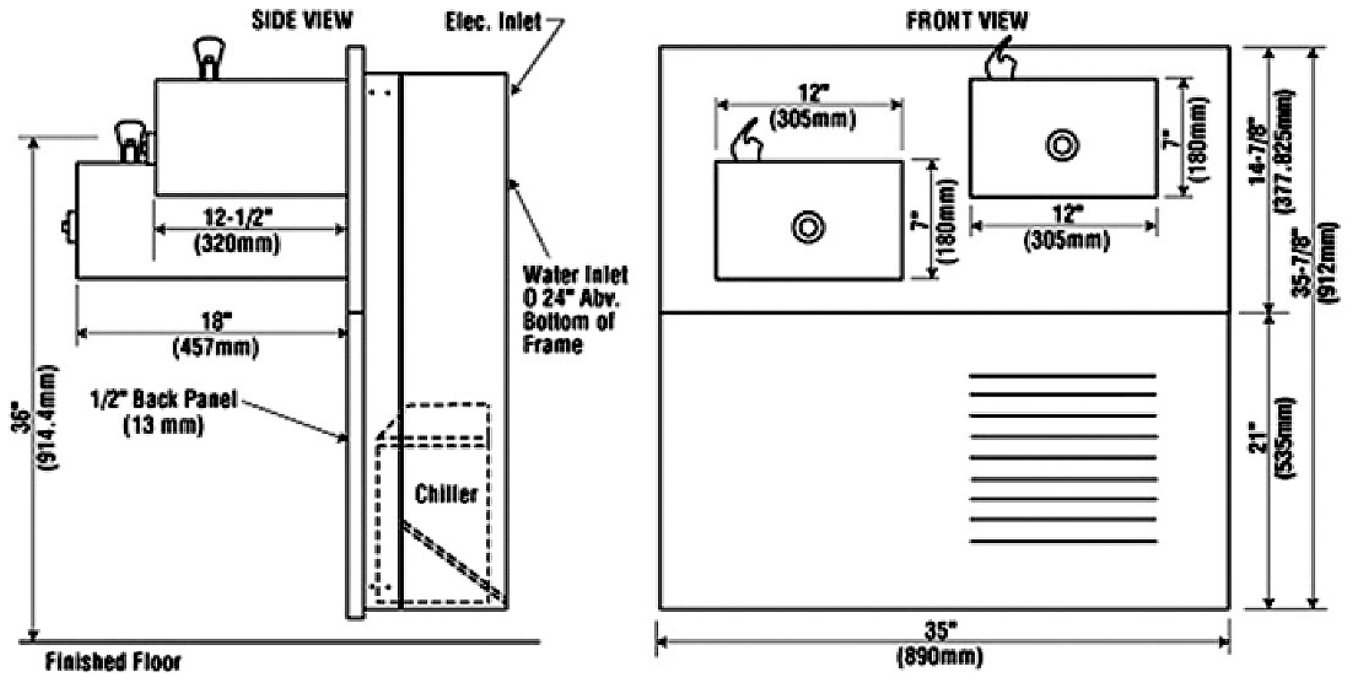
All dimensions subject to manufacturing variance of plus or minus 1/4" (6 mm)

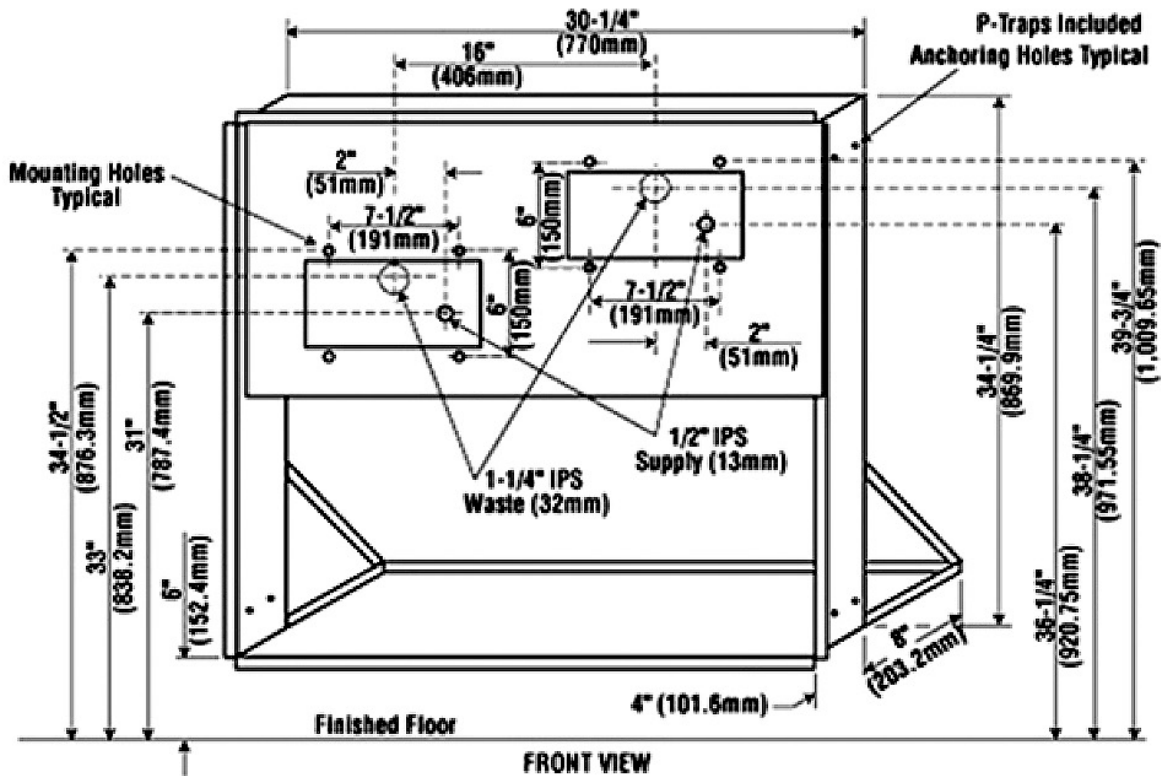
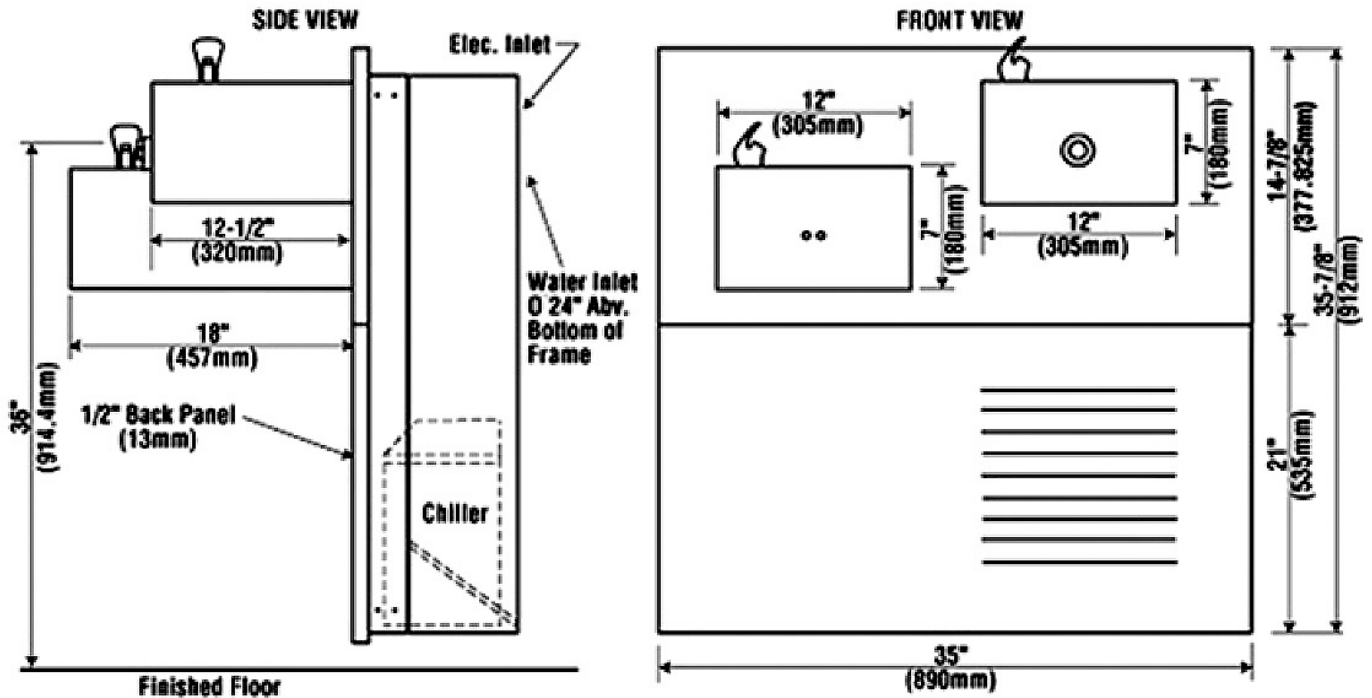
BFR-6000 35-7/8"H x 35"W with 18-1/2" extension

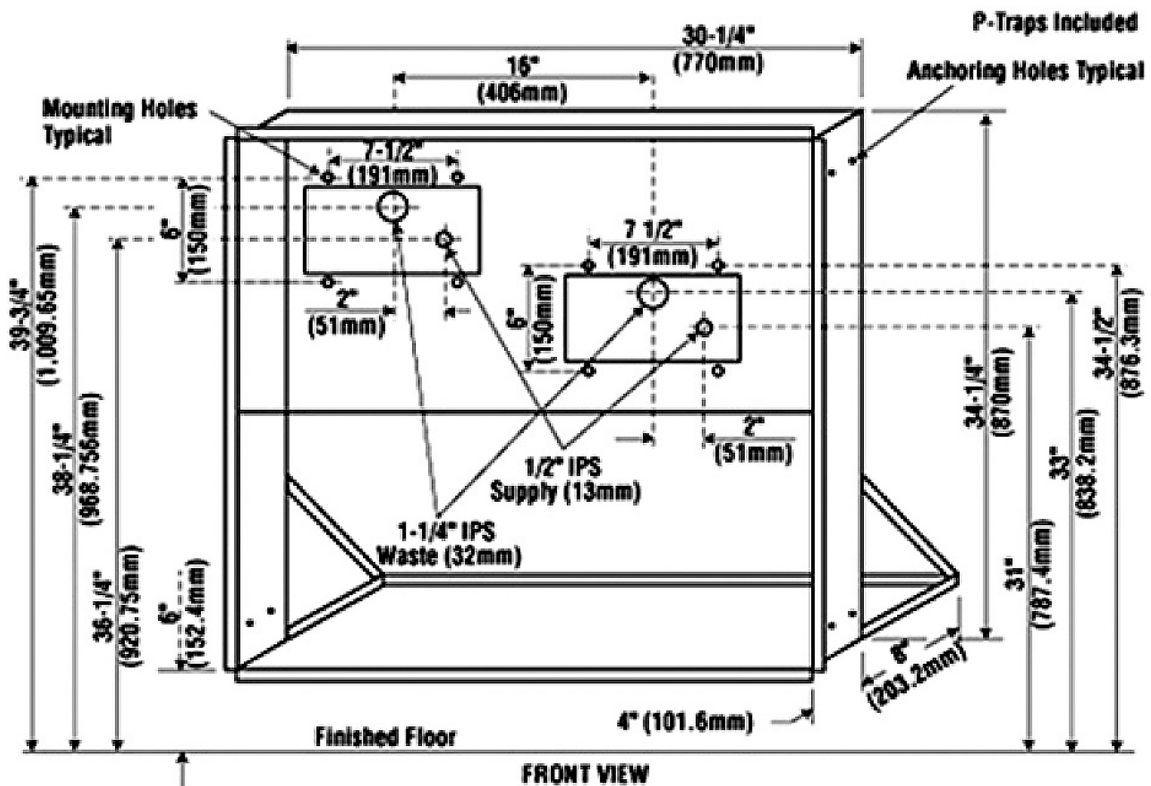
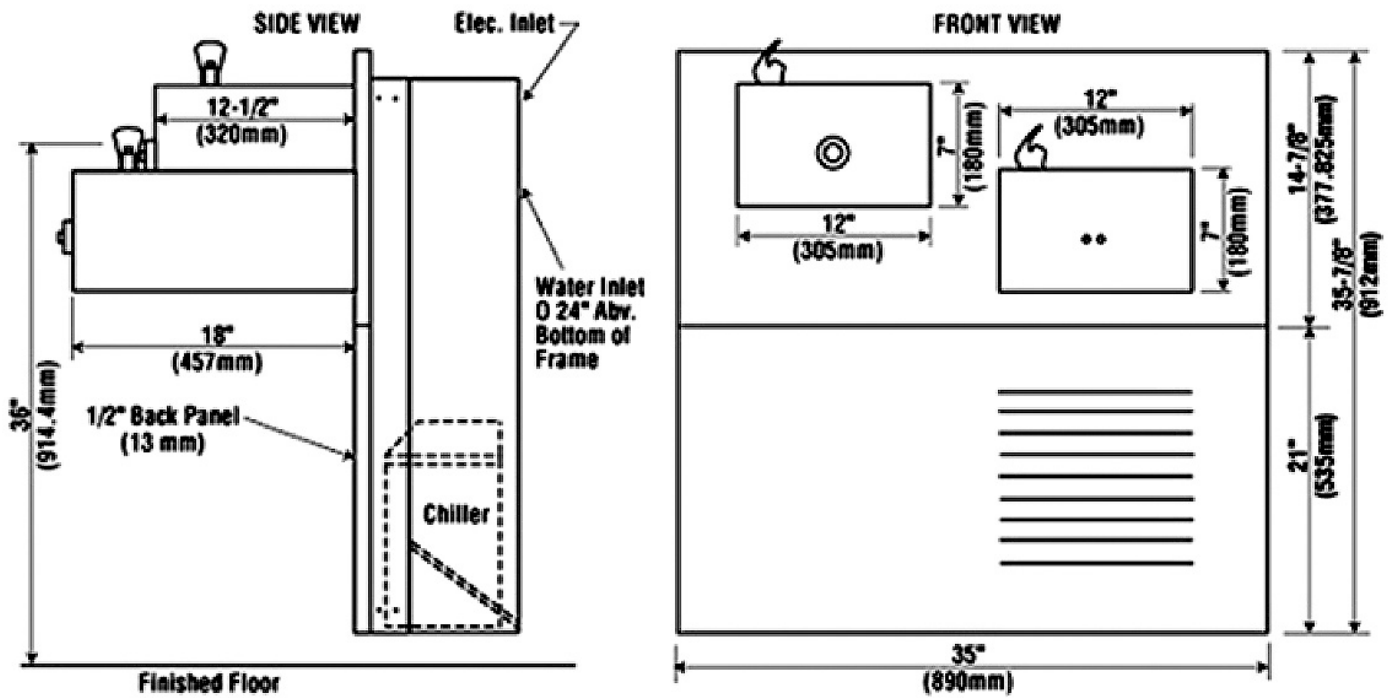
BFR-6025 35-7/8"H x 35"W with 18-1/2" extension. Recesses into wall: 12"

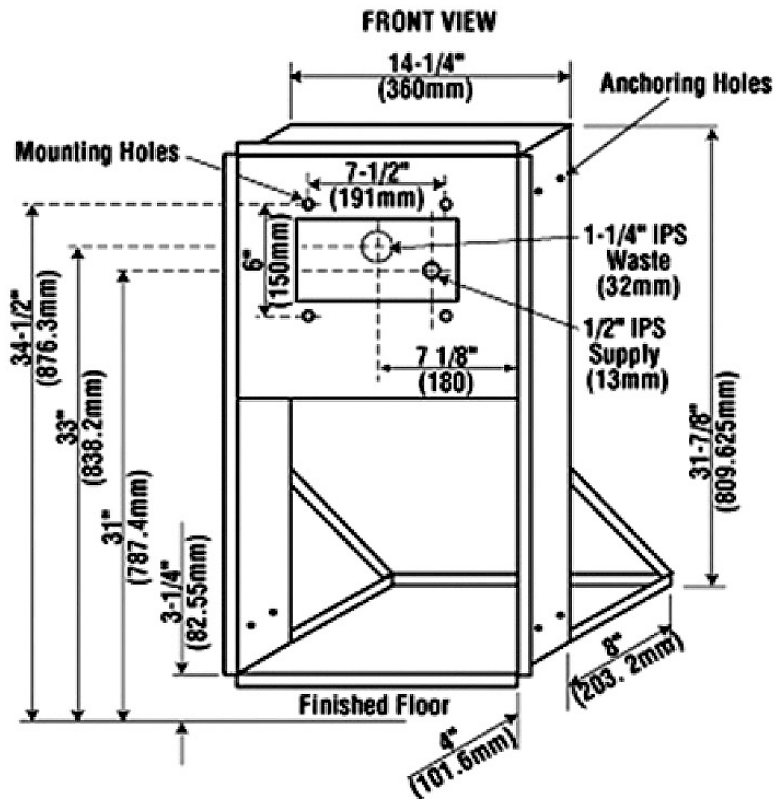
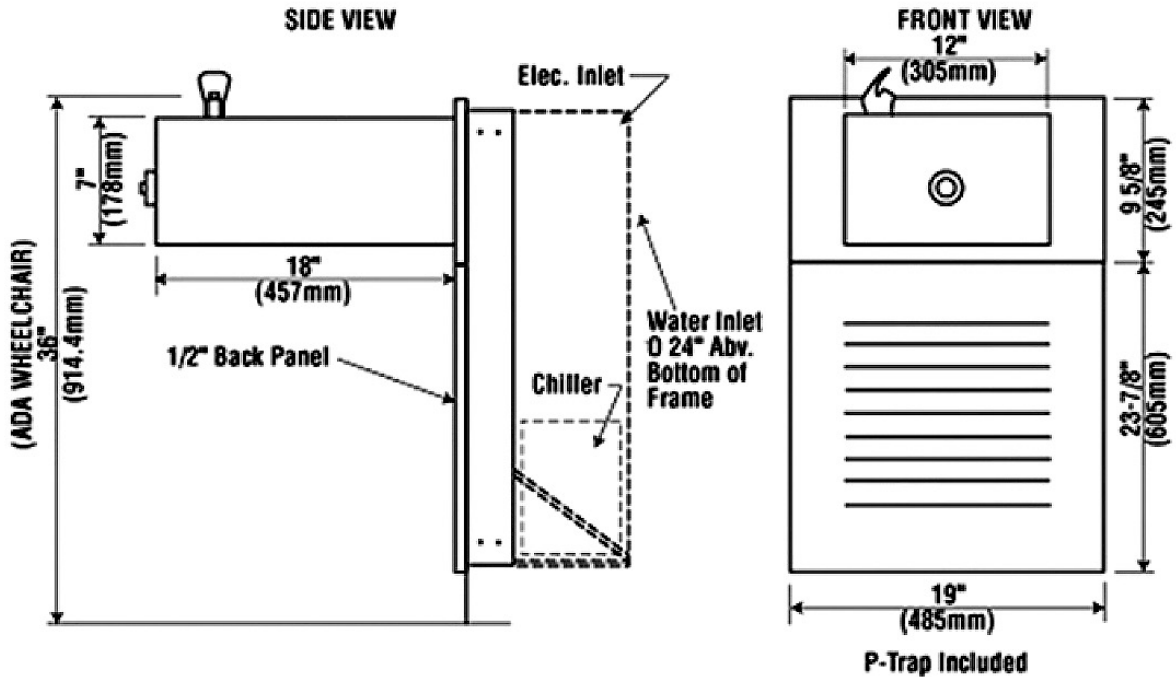
BFR-6050 33-1/2"H x 19"W with 18-1/2" extension. Recesses into wall: 12"

BFR-6075 33-1/2"H x 19"W with 18-1/2" extension. Recesses into wall: 12"

BFR-6000


BFR-6025


BFR-6025-RV


BFR-6050


BFR-6075
