

## MODEL DMF-610 & DMF-620

### DECK MOUNTED STAINLESS STEEL DRINKING FOUNTAIN

The DMF-610 and DMF-620 fountains are traditional and long-lasting drinking fountains built for decks or countertops. Available with a push button on the bubbler or on the side of the stainless steel bowl.

The Model DMF-610 comes with a push button projector.  
The Model DMF-620 comes with a remote push button.



## FEATURES

- Chrome-plated brass bubbler
- Equipped with flow regulation
- Stainless steel receptor
- Steel mounting bracket adjusts to countertop thickness of 3/8" to 1-1/2"
- 3/8" IPS supply
- 1-1/4" O.D. tailpiece

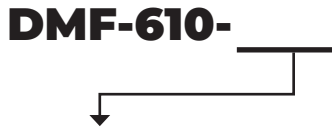


(Shown top to bottom) Model DMF-610, Model DMF-620

## ORDERING OPTIONS

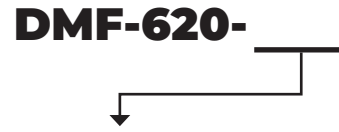
---

Part Number



*Optional*

**WC-8:** Remote electric chiller



*Optional*

**WC-8:** Remote electric chiller

## DIMENSIONS

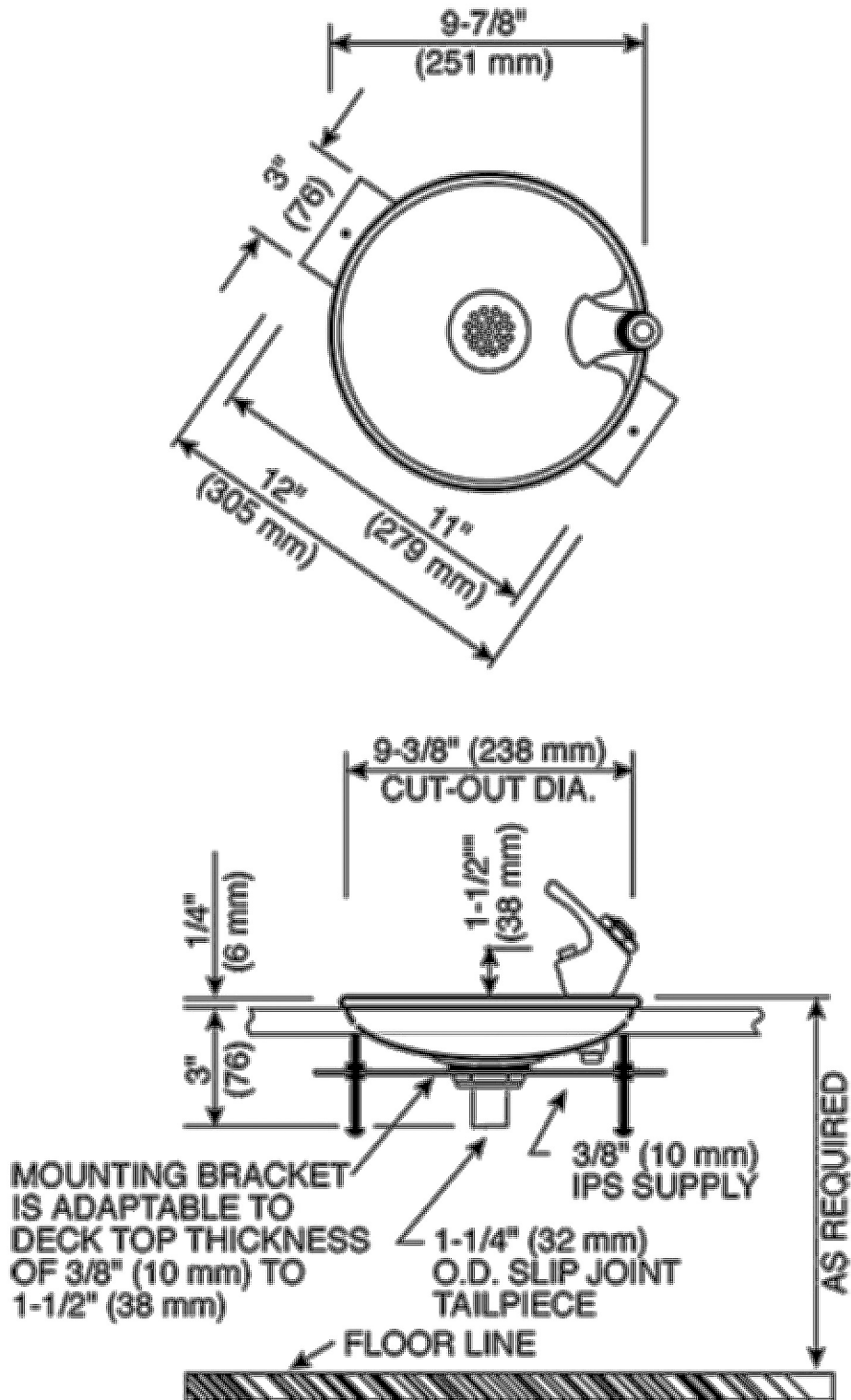
---

All dimensions subject to manufacturing variance of plus or minus 1/4" (6 mm)

**DMF-610** 9-3/8"W x 3-5/8"H

**DMF-620** 9-3/8"W x 7-1/2"H

**DMF-610**



**DMF-620**

