



MODEL SC-32, SC-36, SC-38, SC-39 & SC-40

COMPLETE SHOWER CABINET STANDARD MODELS

Includes Terrazzo Shower Floor, S-140 pressure balanced valve and head, soap dish, rod and curtain. Standard wall finish is white powder coated metal.

Available in Front and Double Entry as well as Neo-Corner

FEATURES

- Specify R or L hand drilling.

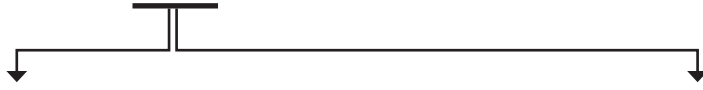


(Shown above) Model SC-40

ORDERING OPTIONS

Part Number

SC-XX-



Optional

- SC-TC:** Top Only
- SC-TCLF:** Top and dome light
- SC-7:** Corner filler strip
- SC-JFS:** Joint filler strip*
- FB:** Filler block*
- SC-140-TCV:** Thermostatic valve
- DC:** Attached dressing compartment*
- SC-TDG:** Shower door (N/A SC-40)

Optional Wall Finishes

- SS:** Stainless steel
- SPC:** Solid phenolic core *
- HDP:** High density polymer*

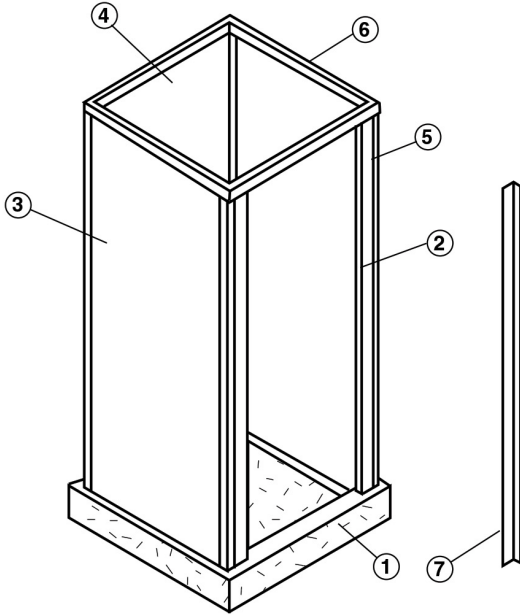
*Layout sketch required

A maximum of 3 options may be added to a fountain.

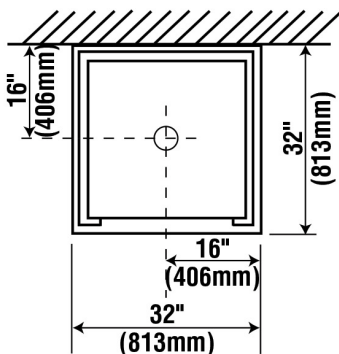
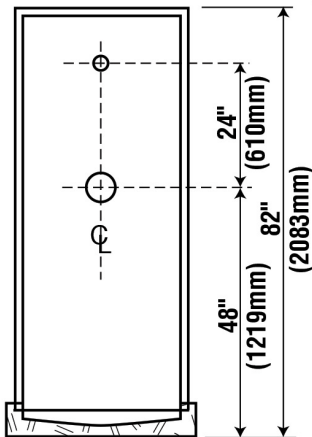
DIMENSIONS

All dimensions subject to manufacturing variance of plus or minus 1/4" (6 mm)

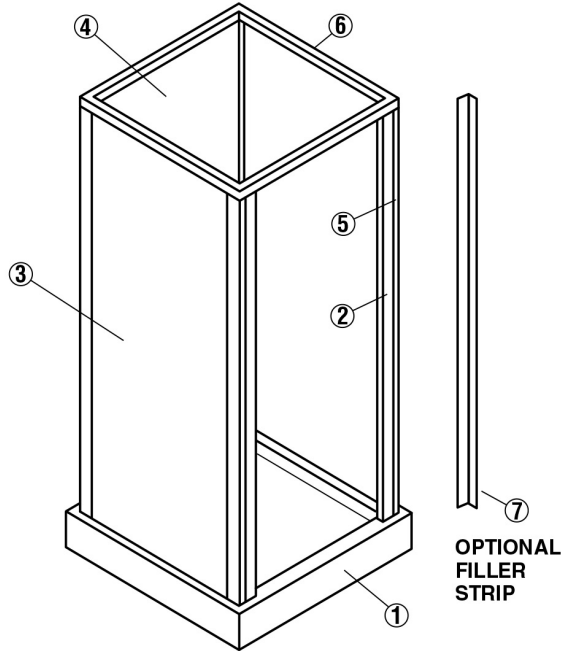
- SC-32** 32x32x82" Front entry.
- SC-36** 36x36x82" Front entry.
- SC-38** 36x36x82" Double entry.
- SC-39** 36x36x82" Double entry corner type.
- SC-40** 40x40x82" Neo-corner.


STANDARD EQUIPMENT FOR FIELD INSTALLATION

KEY NO.	QTY.	DESCRIPTION
1	1	32 x 32" BASE
2	2	1-1/2" x 77-3/16" FRONT PANEL
3	2	27-5/8 x 77-3/16" SIDE PANEL
4	1	27-5/8 x 77-3/16" BACK PANEL
5	4	CORNER JOINT
6	1	TOP FRAME
-	1	ROD AND CURTAIN
-	1	PRESSURE BALANCED VALVE AND HEAD
-	1	SOAP DISH

**OPTIONAL
FILLER
STRIP**

FOR CORRECT INSTALLATION:

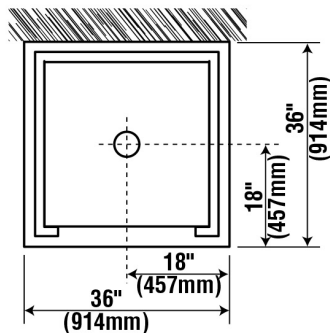
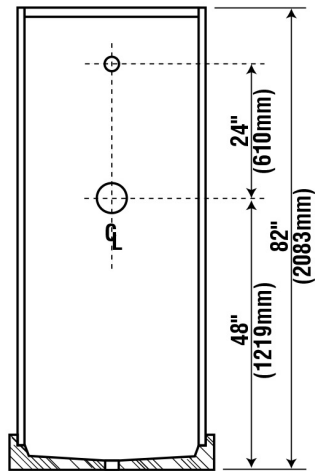
1. ESTABLISH PROPER CLEARANCE BETWEEN SHOWER BASE AND WALLS.
2. SET SHOWER BASE ON MORTAR BED AND CAREFULLY LEVEL TO AVOID PROBLEMS OF UNEVEN SUB FLOOR.

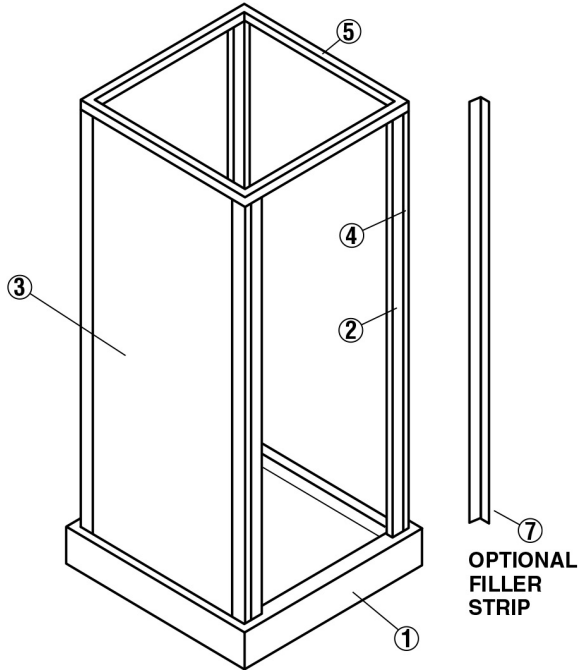

STANDARD EQUIPMENT FOR FIELD INSTALLATION

KEY NO.	QTY.	DESCRIPTION
1	1	36 x 36" BASE
2	2	3-5/16" x 77-3/16" FRONT PANEL
3	2	31-5/8 x 77-3/16" SIDE PANEL
4	1	31-5/8 x 77-3/16" BACK PANEL
5	4	CORNER JOINT
6	1	TOP FRAME
-	1	ROD AND CURTAIN
-	1	PRESSURE BALANCED VALVE AND HEAD
-	1	SOAP DISH

FOR CORRECT INSTALLATION:

1. ESTABLISH PROPER CLEARANCE BETWEEN SHOWER BASE AND WALLS.
2. SET SHOWER BASE ON MORTAR BED AND CAREFULLY LEVEL TO AVOID PROBLEMS OF UNEVEN SUB FLOOR.

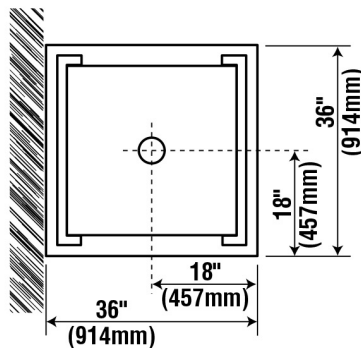
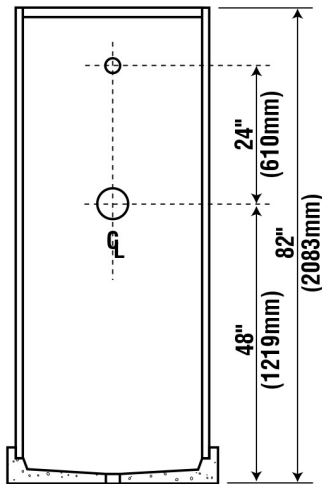


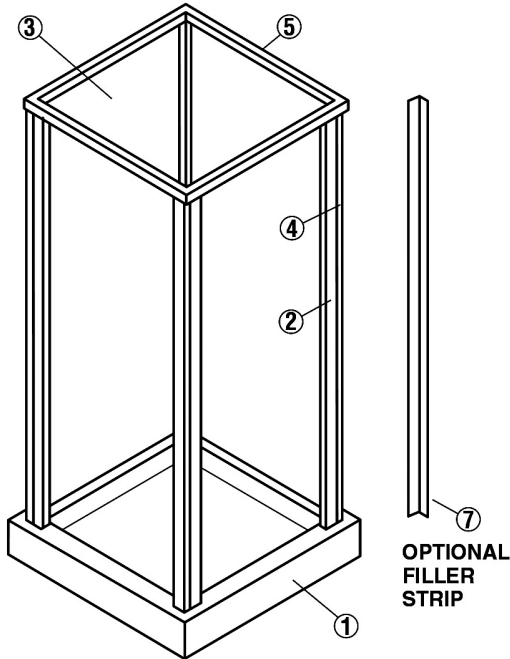

STANDARD EQUIPMENT FOR FIELD INSTALLATION

KEY NO.	QTY.	DESCRIPTION
1	1	36 x 36" BASE
2	4	3-5/16" x 77-3/16" FRONT PANEL
3	2	31-5/8 x 77-3/16" SIDE PANEL
4	4	CORNER JOINT
5	1	TOP FRAME
-	2	ROD AND CURTAIN
-	1	PRESSURE BALANCED VALVE AND HEAD
-	1	SOAP DISH

FOR CORRECT INSTALLATION:

1. ESTABLISH PROPER CLEARANCE BETWEEN SHOWER BASE AND WALLS.
2. SET SHOWER BASE ON MORTAR BED AND CAREFULLY LEVEL TO AVOID PROBLEMS OF UNEVEN SUB FLOOR.

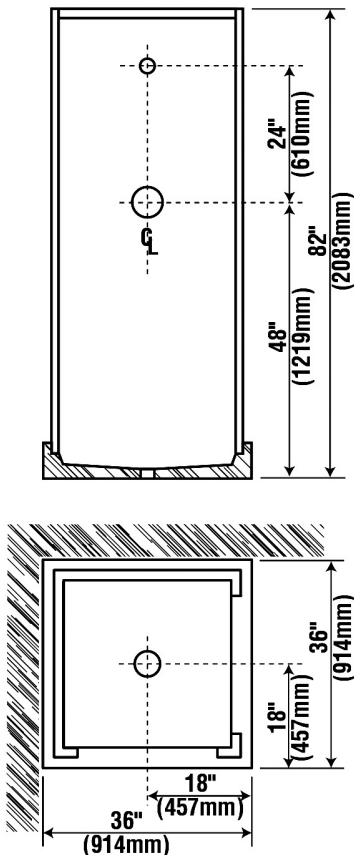


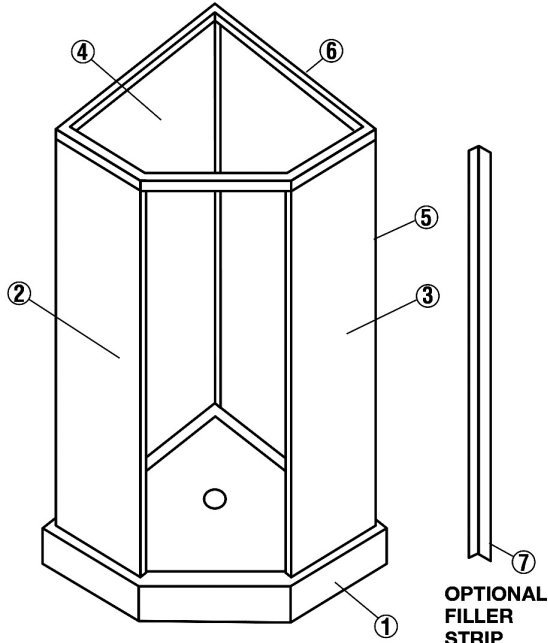

STANDARD EQUIPMENT FOR FIELD INSTALLATION

KEY NO.	QTY.	DESCRIPTION
1	1	36 x 36" BASE
2	4	3-5/16" x 77-3/16" FRONT PANEL
3	2	31-5/8 x 77-3/16" SIDE PANEL
4	4	CORNER JOINT
5	1	TOP FRAME
-	2	ROD AND CURTAIN
-	1	PRESSURE BALANCED VALVE AND HEAD
-	1	SOAP DISH

FOR CORRECT INSTALLATION:

1. ESTABLISH PROPER CLEARANCE BETWEEN SHOWER BASE AND WALLS.
2. SET SHOWER BASE ON MORTAR BED AND CAREFULLY LEVEL TO AVOID PROBLEMS OF UNEVEN SUB FLOOR.




STANDARD EQUIPMENT FOR FIELD INSTALLATION

KEY NO.	QTY.	DESCRIPTION
1	1	40 x 40" NEO-CORNER BASE
2	1	18-5/8" x 77-3/16" FRONT PANEL
3	1	18-5/8" x 77-3/16" SIDE PANEL
4	2	35-5/8" x 77-3/16" BACK PANEL
5	3	CORNER JOINT
6	1	TOP FRAME
-	1	ROD AND CURTAIN
-	1	PRESSURE BALANCED VALVE AND HEAD
-	1	SOAP DISH

FOR CORRECT INSTALLATION:

1. ESTABLISH PROPER CLEARANCE BETWEEN SHOWER BASE AND WALLS.
2. SET SHOWER BASE ON MORTAR BED AND CAREFULLY LEVEL TO AVOID PROBLEMS OF UNEVEN SUB FLOOR.

