

MODEL SPF-3100-C & SPF-3101-C SQUARE AGGREGATE FOUNTAIN

Square fountain in aggregate finish. Delivers 8.0 GPH of chilled water refreshment. Surface type with mounting plate welded to pedestal.

-FP are frost proof models. It is recommended that a dual check valve backflow prevention be installed in the waterline going to any FP fountain.

-FPS are sanifrost models which will not allow stored water to re-enter the bubbler.

FEATURES

- Mounting plate comes standard
- Push button valve, centered on vandal resistant stainless steel access plate
- Adjustable flow regulation
- 18 gauge brush finished stainless steel receptor with a vandal resistant chrome plated brass drain plug
- Stainless steel supply fittings connected to reinforced tubing
- In-line mesh screen strainer
- Delivers 8.0 GPH of chilled water refreshment
- Supply complete with 1/2" IPS lock shield screwdriver stop
- 1-1/4" IPS waste pipes included with every fountain

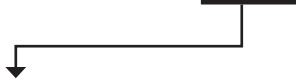


(Shown above) Model SPF-3100-C

ORDERING OPTIONS

Part Number

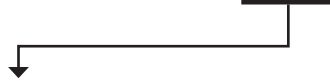
SPF-3100-C-



Optional

- 31:** Chrome Plated Self-closing Jug Filler
- 32:** RCP Hose bibb with VB
- 32-LK:** RCP Hose bibb with VB and Loose Key
- 32-SC:** Self Closing Hose bibb with VB
- 33-VP:** Hose bibb with lock box
- 34:** Frost Proof Jug Filler
- 35-VP:** Recessed Hose Bibb with Locking Cover
- 36:** Push Button Jug Filler
- 37:** Foot spray
- 38:** Shutdown/Drain Valve
- 40:** Commemorative plaque
- 60:** Matching step
- 84:** Water filter
- 85:** Valve Box (Recommended for -FP)
- 87:** Metal Valve Box
- 94:** Pet fountain
- 94-FP:** Frost proof
- 95:** Sand trap
- 96:** Sand strainer plate
- SMP-12SQ:** Surface mounting plate

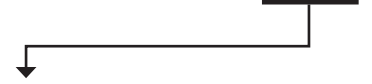
SPF-3100-C-FP-



Optional

- 31:** Chrome Plated Self-closing Jug Filler
- 32:** RCP Hose bibb with VB
- 32-LK:** RCP Hose bibb with VB and Loose Key
- 32-SC:** Self Closing Hose bibb with VB
- 33-VP:** Hose bibb with lock box
- 34:** Frost Proof Jug Filler
- 35-VP:** Recessed Hose Bibb with Locking Cover
- 36:** Push Button Jug Filler
- 37:** Foot spray
- 38:** Shutdown/Drain Valve
- 40:** Commemorative plaque
- 60:** Matching step
- 84:** Water filter
- 85:** Valve Box (Recommended for -FP)
- 87:** Metal Valve Box
- 94:** Pet fountain
- 94-FP:** Frost proof
- 95:** Sand trap
- 96:** Sand strainer plate
- SMP-12SQ:** Surface mounting plate

SPF-3100-C-FPS-



Optional

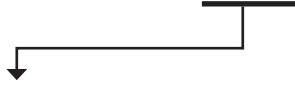
- 31:** Chrome Plated Self-closing Jug Filler
- 32:** RCP Hose bibb with VB
- 32-LK:** RCP Hose bibb with VB and Loose Key
- 32-SC:** Self Closing Hose bibb with VB
- 33-VP:** Hose bibb with lock box
- 34:** Frost Proof Jug Filler
- 35-VP:** Recessed Hose Bibb with Locking Cover
- 36:** Push Button Jug Filler
- 37:** Foot spray
- 38:** Shutdown/Drain Valve
- 40:** Commemorative plaque
- 60:** Matching step
- 84:** Water filter
- 85:** Valve Box (Recommended for -FP)
- 87:** Metal Valve Box
- 94:** Pet fountain
- 94-FP:** Frost proof
- 95:** Sand trap
- 96:** Sand strainer plate
- SMP-12SQ:** Surface mounting plate

*A maximum of 3 options may be added to a fountain.

ORDERING OPTIONS

Part Number

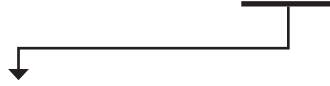
SPF-3101-C-



Optional

- 31:** Chrome Plated Self-closing Jug Filler
- 32:** RCP Hose bibb with VB
- 32-LK:** RCP Hose bibb with VB and Loose Key
- 32-SC:** Self Closing Hose bibb with VB
- 33-VP:** Hose bibb with lock box
- 34:** Frost Proof Jug Filler
- 35-VP:** Recessed Hose Bibb with Locking Cover
- 36:** Push Button Jug Filler
- 37:** Foot spray
- 38:** Shutdown/Drain Valve
- 40:** Commemorative plaque
- 60:** Matching step
- 84:** Water filter
- 85:** Valve Box (Recommended for -FP)
- 87:** Metal Valve Box
- 94:** Pet fountain
- 94-FP:** Frost proof
- 95:** Sand trap
- 96:** Sand strainer plate
- SMP-12SQ:** Surface mounting plate

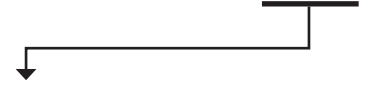
SPF-3101-C-FP-



Optional

- 31:** Chrome Plated Self-closing Jug Filler
- 32:** RCP Hose bibb with VB
- 32-LK:** RCP Hose bibb with VB and Loose Key
- 32-SC:** Self Closing Hose bibb with VB
- 33-VP:** Hose bibb with lock box
- 34:** Frost Proof Jug Filler
- 35-VP:** Recessed Hose Bibb with Locking Cover
- 36:** Push Button Jug Filler
- 37:** Foot spray
- 38:** Shutdown/Drain Valve
- 40:** Commemorative plaque
- 60:** Matching step
- 84:** Water filter
- 85:** Valve Box (Recommended for -FP)
- 87:** Metal Valve Box
- 94:** Pet fountain
- 94-FP:** Frost proof
- 95:** Sand trap
- 96:** Sand strainer plate
- SMP-12SQ:** Surface mounting plate

SPF-3101-C-FPS-



Optional

- 31:** Chrome Plated Self-closing Jug Filler
- 32:** RCP Hose bibb with VB
- 32-LK:** RCP Hose bibb with VB and Loose Key
- 32-SC:** Self Closing Hose bibb with VB
- 33-VP:** Hose bibb with lock box
- 34:** Frost Proof Jug Filler
- 35-VP:** Recessed Hose Bibb with Locking Cover
- 36:** Push Button Jug Filler
- 37:** Foot spray
- 38:** Shutdown/Drain Valve
- 40:** Commemorative plaque
- 60:** Matching step
- 84:** Water filter
- 85:** Valve Box (Recommended for -FP)
- 87:** Metal Valve Box
- 94:** Pet fountain
- 94-FP:** Frost proof
- 95:** Sand trap
- 96:** Sand strainer plate
- SMP-12SQ:** Surface mounting plate

*A maximum of 3 options may be added to a fountain.

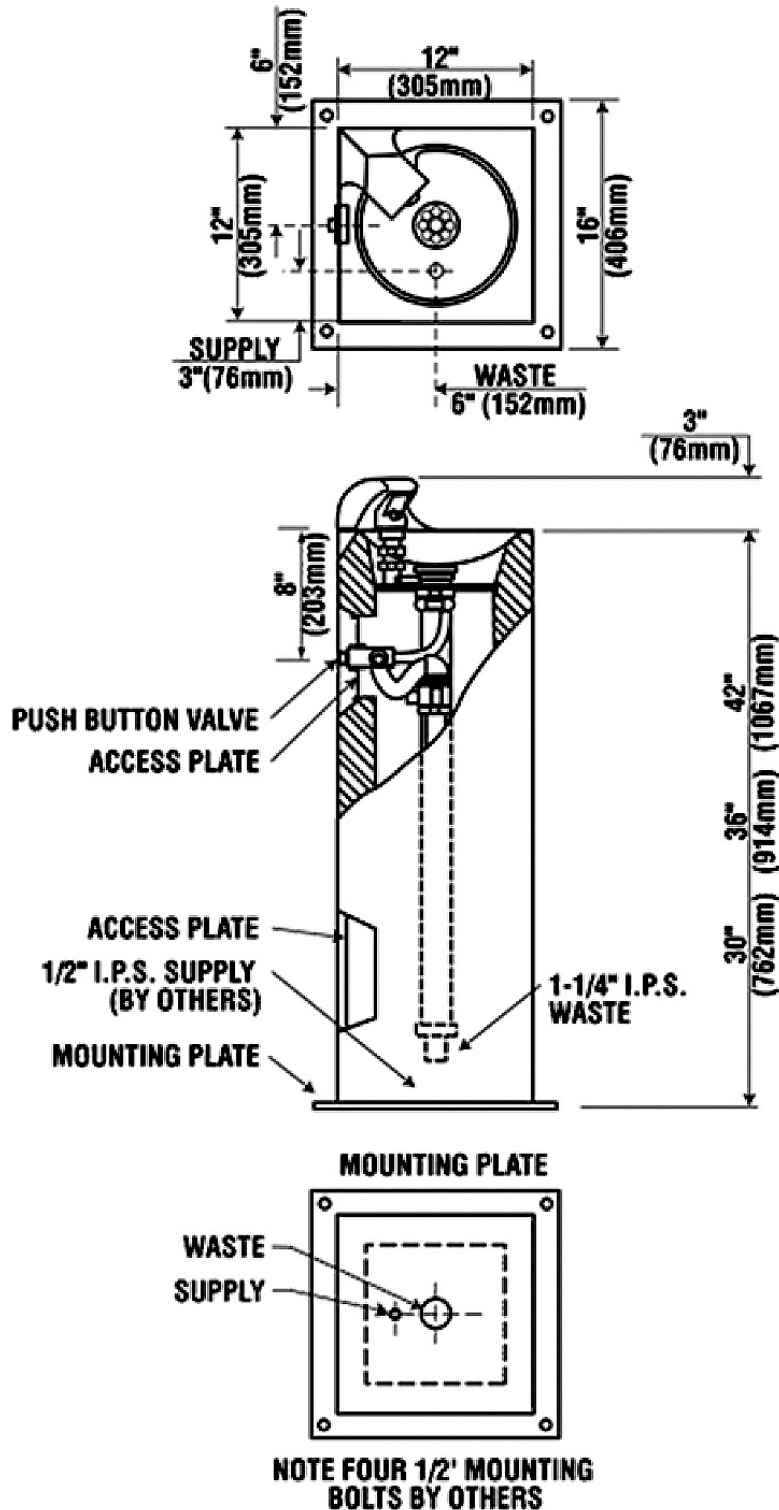
DIMENSIONS

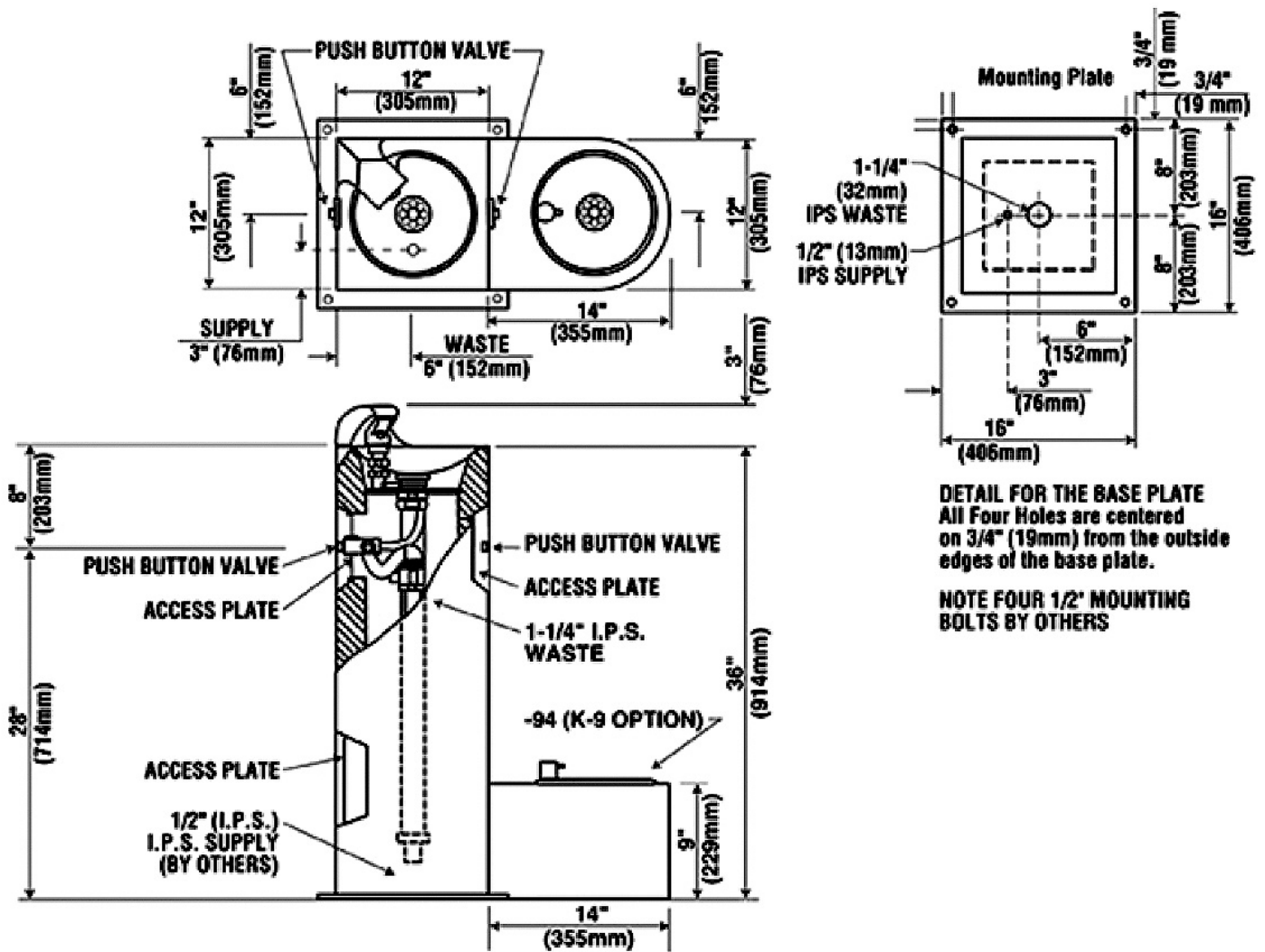
All dimensions subject to manufacturing variance of plus or minus 1/4" (6 mm)

SPF-3100-C 36" H x 12"W x 12"H / Colorama, light etched

SPF-3101-C 36" H x 12"W x 12"H / Colorama, medium etched

SPF-3100-C



SPF-3100-C-94


DETAIL FOR THE BASE PLATE
 All Four Holes are centered on 3/4" (19mm) from the outside edges of the base plate.

NOTE FOUR 1/2" MOUNTING BOLTS BY OTHERS