

8000 Series HANDWASHING STATION

Stern-Williams' first handwashing station is available as a wall-mounted fixture or an add-on to our drinking fountains or pedestals. Fabricated from steel and finished with a long-lasting powder coat, the Model 8100 is built to stand the test of time and endure weather.

FEATURES

- Timed faucet button with automatic shut-off
- Manual faucet won't malfunction from sun, overheating, or time
- Extra deep splash guard and bowl
- Powder coat finish available in 11 colors
- Wall mounted fountain available in visible and concealed installation options
- Mounting bracket sold separately
- Single bottom plate for easy maintenance
- Welded smooth with no excessive bolts and clean finish





ORDERING OPTIONS

Part Number

8100

Pedestal mount handwash station



Part Number

8220

Wall mount fountain and handwash station with four bolt front mount

Part Number

8200

Wall mount handwash station with concealed mount

*Recommended DMF-610 mounting bracket sold separately

Part Number

8500

Pedestal mount fountain with handwash station



Part Number

8205

Wall mount handwash station with four-bolt front mount

Part Number

82

Additional feature of Stern-Williams drinking fountain and pedestal models

*see specific product spec sheets for ordering

Part Number

8215

Wall mount fountain and handwash station with concealed mount

*Recommended DMF-610 mounting bracket sold separately

DIMENSIONS

8100 36"H x 10 3/4"W x 14 1/2" Dia. Base/Surface Mount

8200 6"H x 20"W x 10 3/4" Dia. Body

8205 6"H x 20"W x 10 3/4" Dia. Body

8215 15"H x 35"W x 20" Long

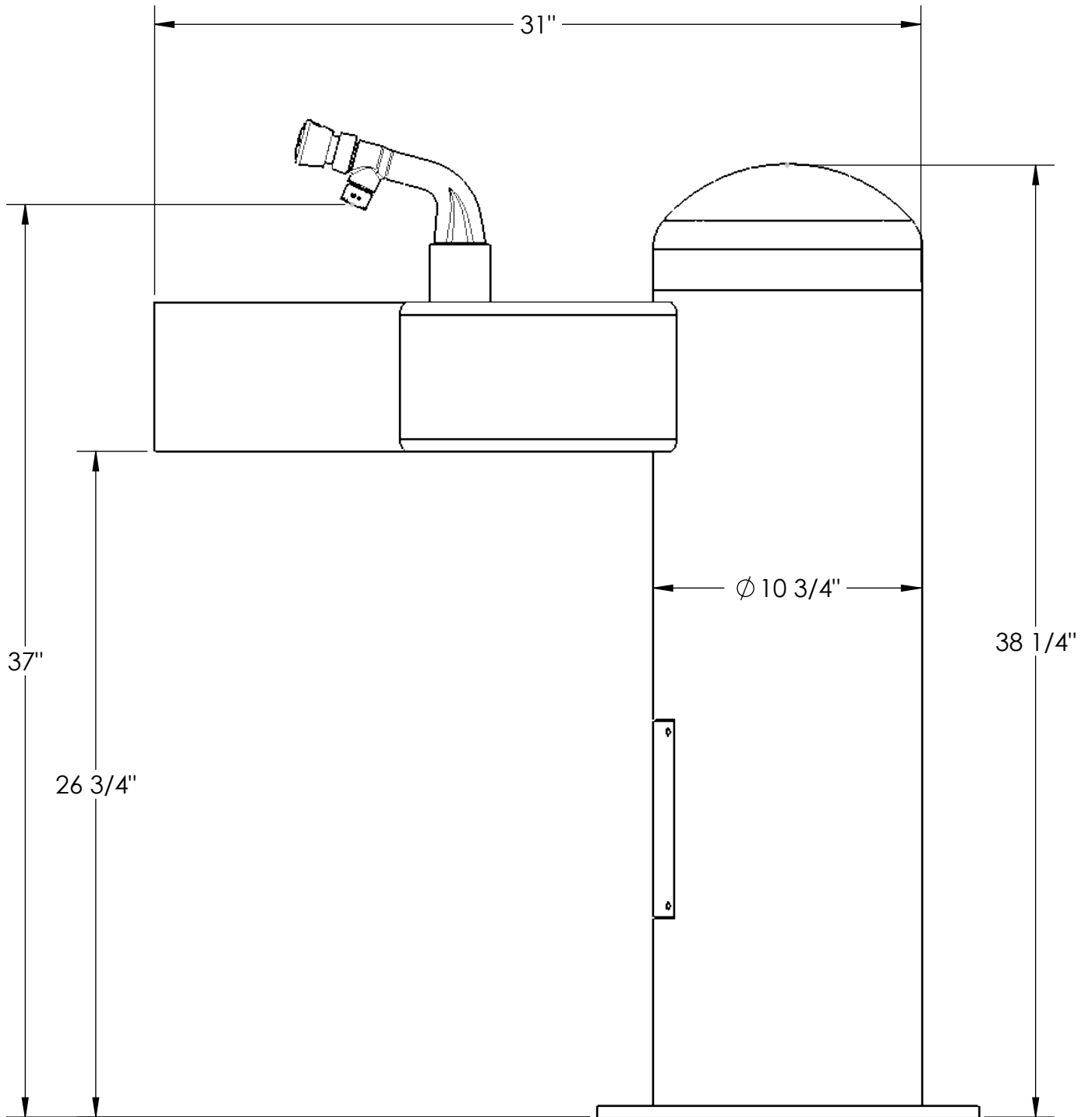
8220 15"H x 35"W x 20" Long

8500 40"H x 30"W x 14 1/2" Dia. Base/Surface Mount

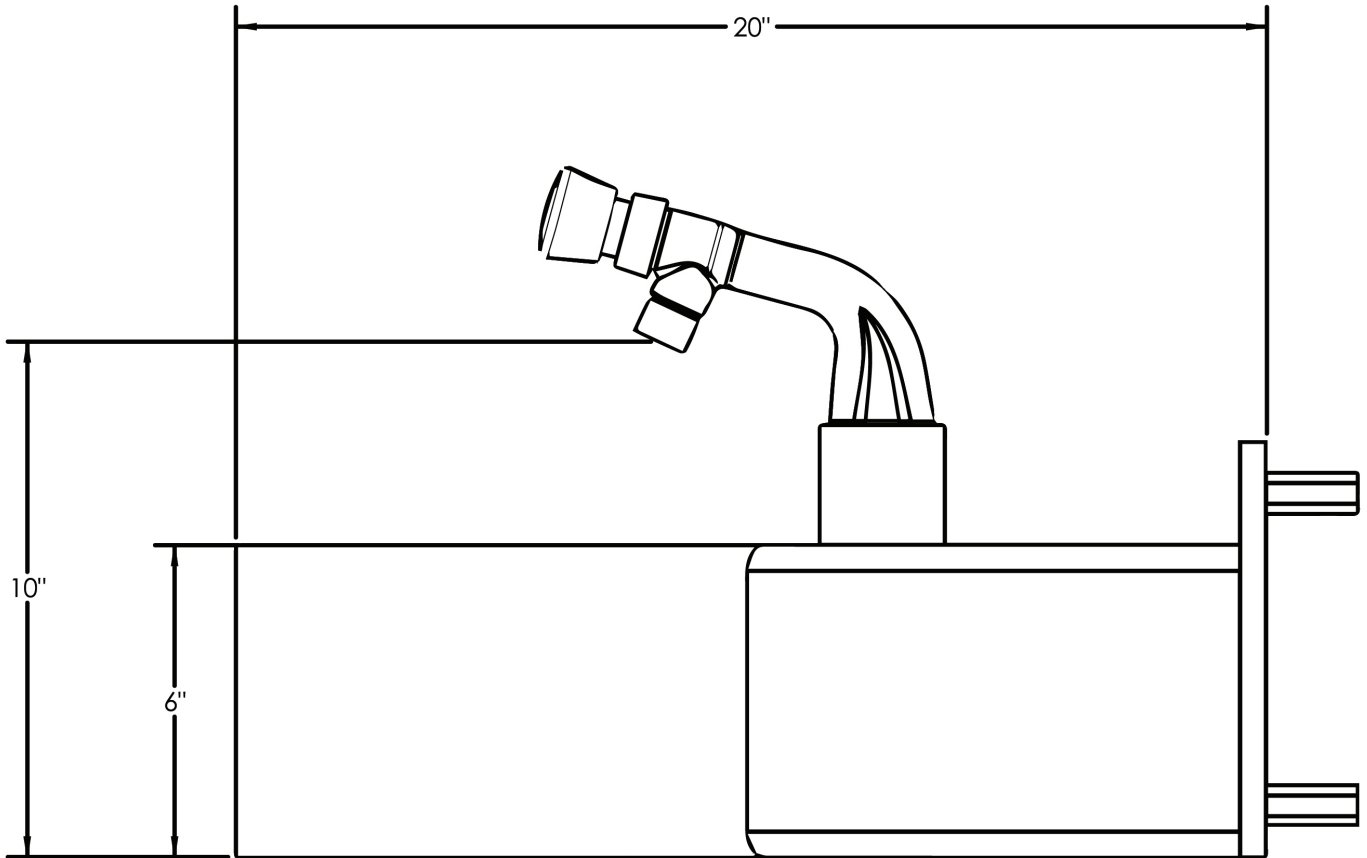
82 6"H x 20"W x 10 3/4" Dia. Body



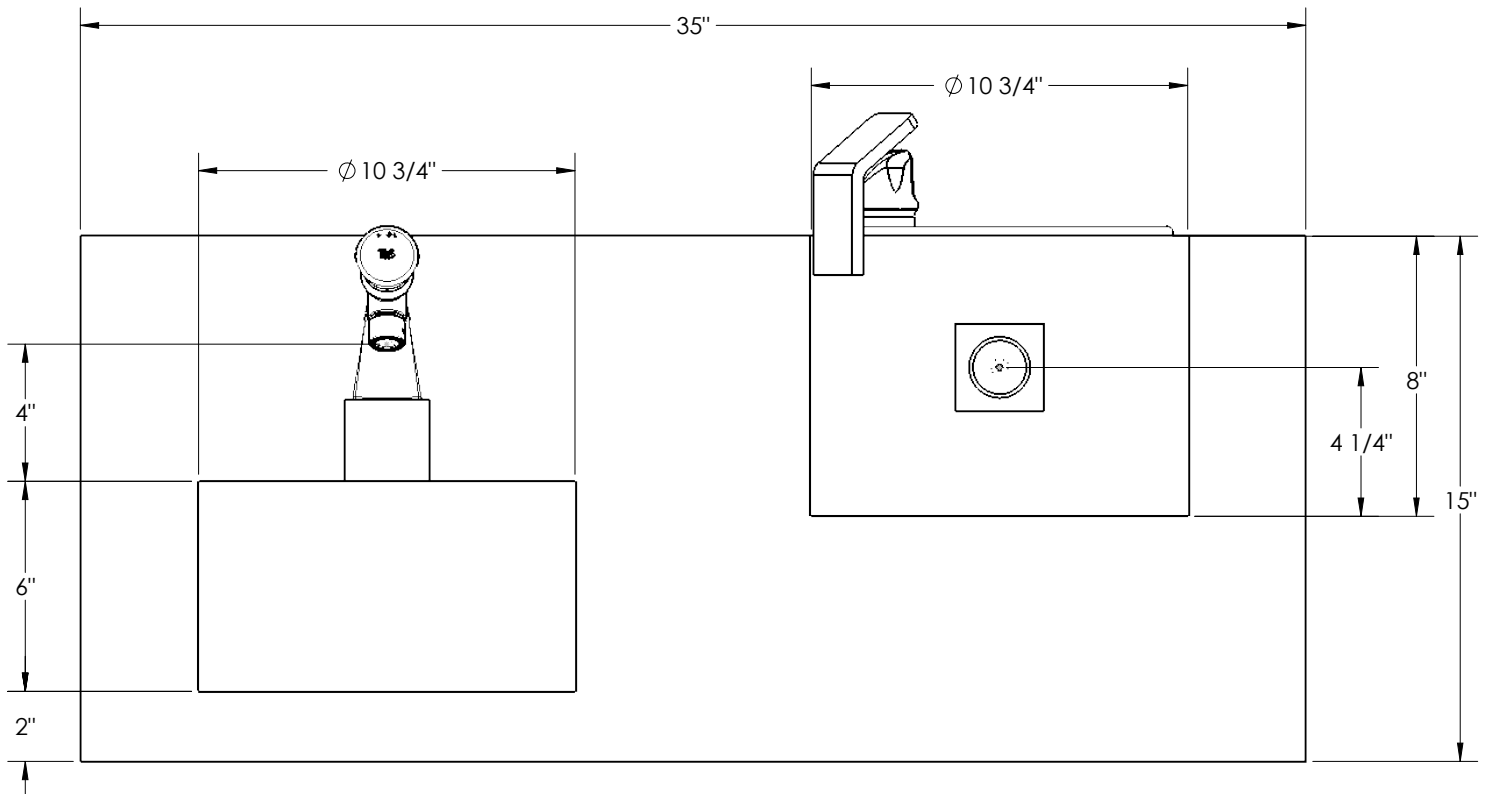
ADA Compliant



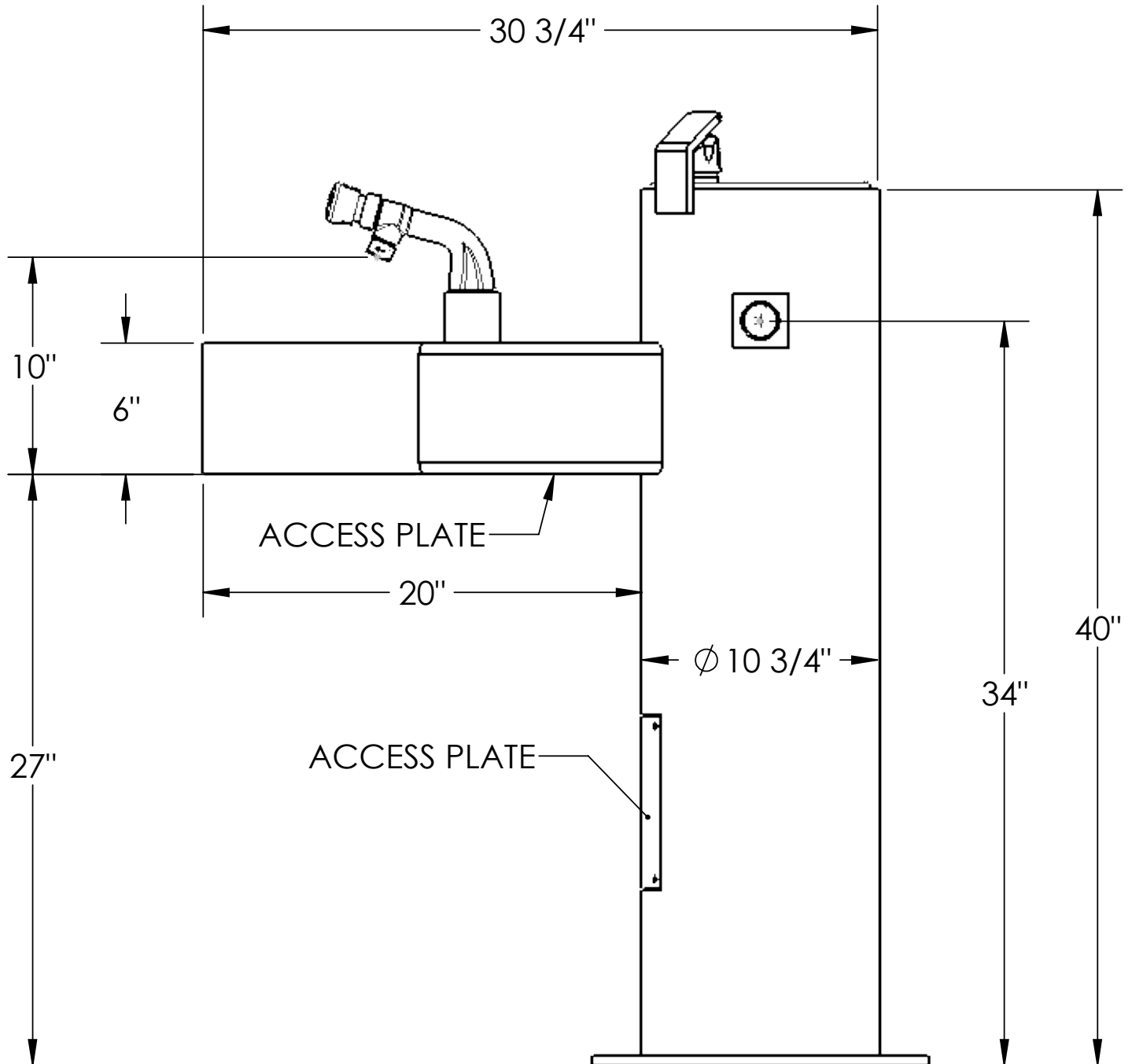
8200/8205



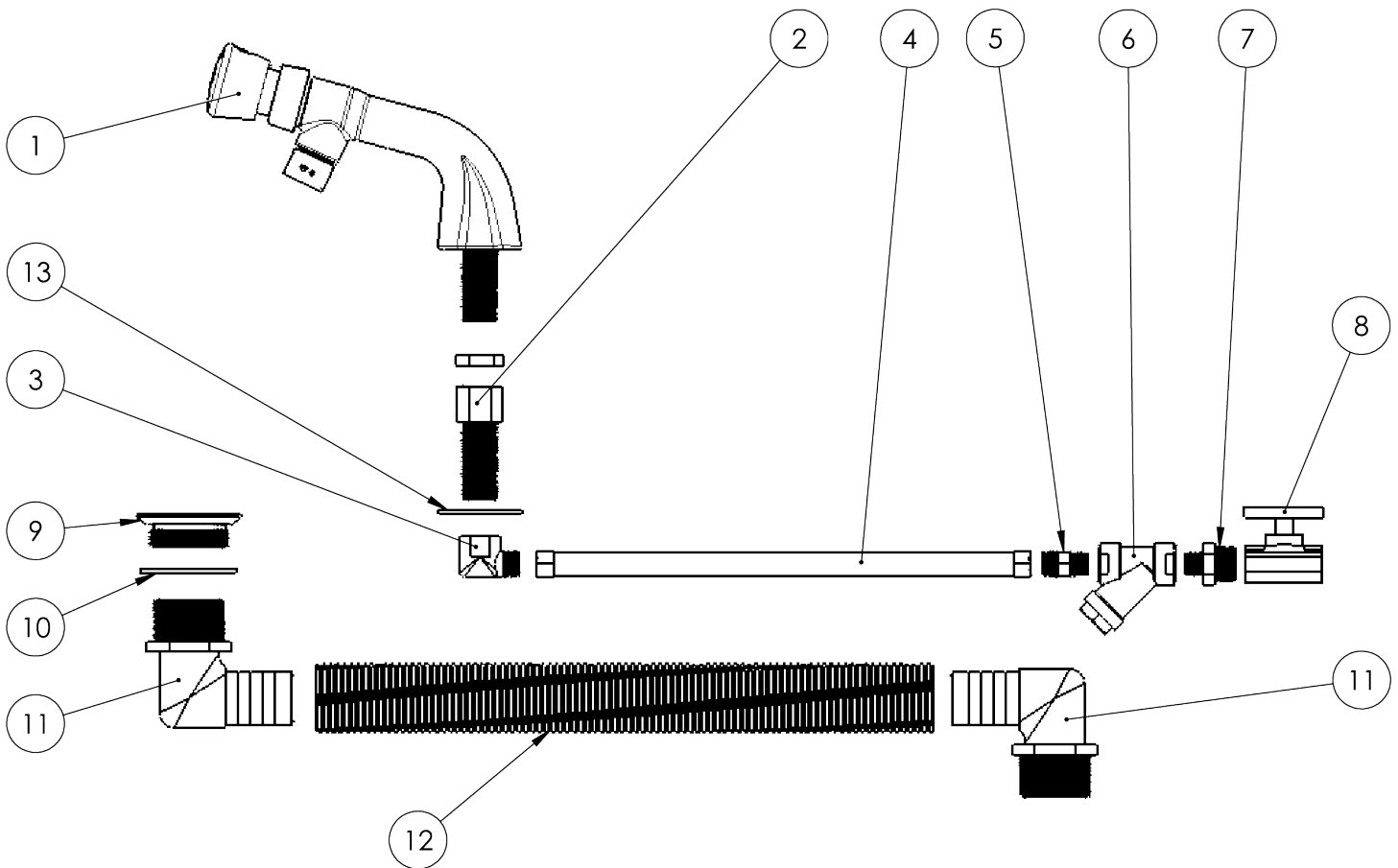
8220/WA-8215



WA-8500



8200 PARTS



ID	Part Number	Description	ID	Part Number	Description
1	S399-0006	Faucet assembly	9	S231-0260	CP theft-proof drain
2	S310-0011	Hex adapter	10	S336-0001	Bowl gasket
3	S300-0001	Brass elbow	11	S337-0005	Hose barb elbow
4	S231-0196	Braided connector	12	S337-0025	Flex hose
5	S310-0012	Brass adapter	13	S320-0026	Brass washer
6	S337-0041	Y strainer			
7	S310-0001	Brass adapter			
8	S231-0221	Stop slot lockshield			