

MODEL WDF-1020 & WDF-1025

BRACKET MOUNTED STAINLESS STEEL DRINKING FOUNTAIN

Dependability and convenience at minimum cost.
Bracket-mounted drinking fountain with lever
handle self-closing chrome-plated valve.

The Model WDF-1020 comes with a self closing
lever handle.

The Model WDF-1025 comes with a push button.



FEATURES

- Mounting plate and stainless steel bottom plate come standard
- 18 gauge brush finished stainless steel receptor with a vandal resistant chrome plated brass drain plug
- Stainless steel supply fittings connected to reinforced tubing
- Delivers 8.0 GPH of chilled water refreshment
- Supply complete with 1/2" IPS lock shield screwdriver stop
- 1-1/4" IPS waste pipes included with every fountain



(Shown top to bottom) WDF-1020, WDF-1025

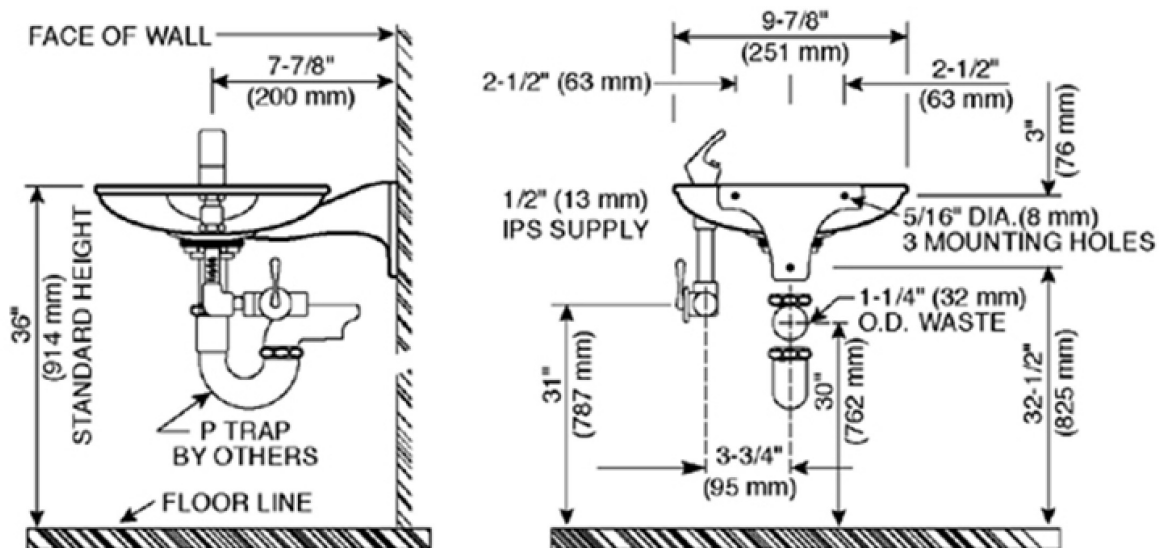
DIMENSIONS

All dimensions subject to manufacturing variance of plus or minus 1/4" (6 mm)

WDF-1020 9-7/8" Dia

WDF-1025 9-7/8" Dia

WDF-1020



WDF-1025

