

## MODEL WDF WALL MOUNTED TERRAZZO FOUNTAINS

Barrier free drinking fountain designs in choice of contemporary or classic styling. Available in four color options and as a frost proof fountain.

White Polymarble Fountains:  
WDF-1040, WDF-1040-FP

Polished Terrazzo Fountains:  
WDF-1000, WDF-1000-FP, WDF-1050, WDF-1050-FP

Light Etched Terrazzo Fountains:  
WDF-1001, WDF-1001-FP, WDF-1051, WDF-1051-FP,  
WDF-1060-C, WDF-1060-C-FP

Medium Etched Terrazzo Fountains:  
WDF-1061-C, WDF-1061-C-FP



### FEATURES

- Mounting plate and stainless steel bottom plate come standard
- Access plates are vandal resistant and provide easy maintenance
- Push button valve on front
- 18 gauge brush finished stainless steel receptor with a vandal resistant chrome plated brass drain plug
- Stainless steel supply fittings connected to reinforced tubing
- Delivers 8.0 GPH of chilled water refreshment
- Supply complete with 1/2" IPS lock shield screwdriver stop
- 1-1/4" IPS waste pipes included with every fountain

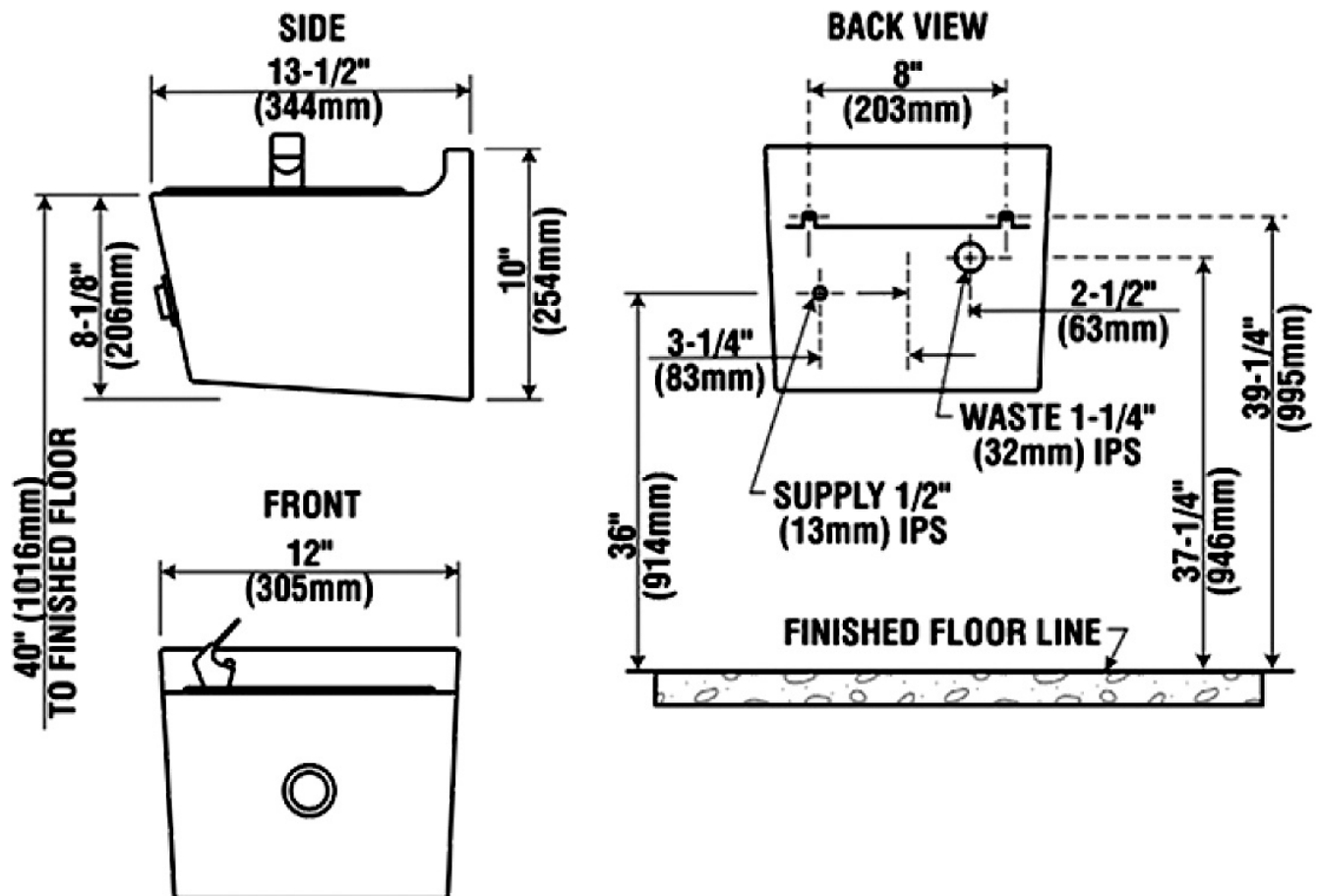
(Shown from top to bottom) Model WDF-1001, Model WDF-1040, Model WDF-1050, Model WDF-1060

## DIMENSIONS

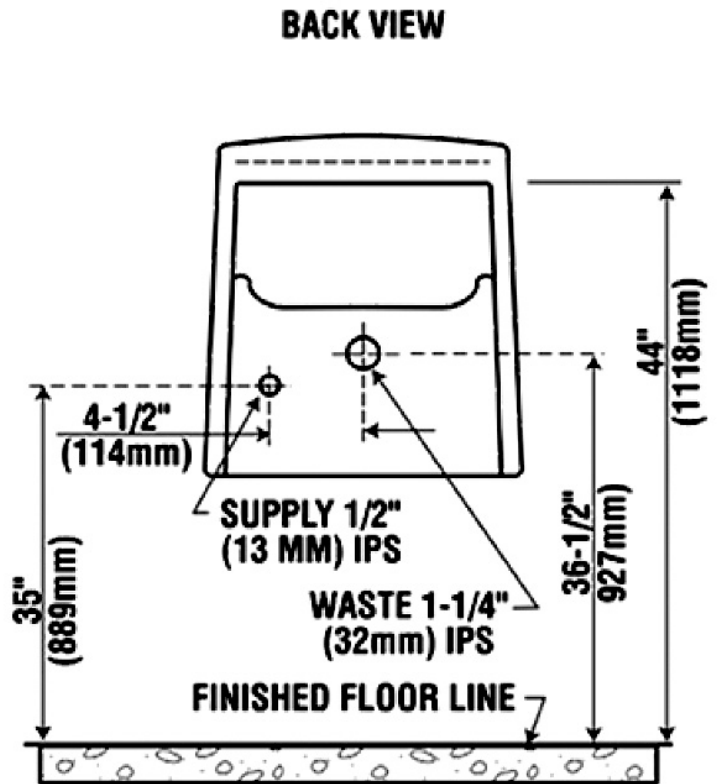
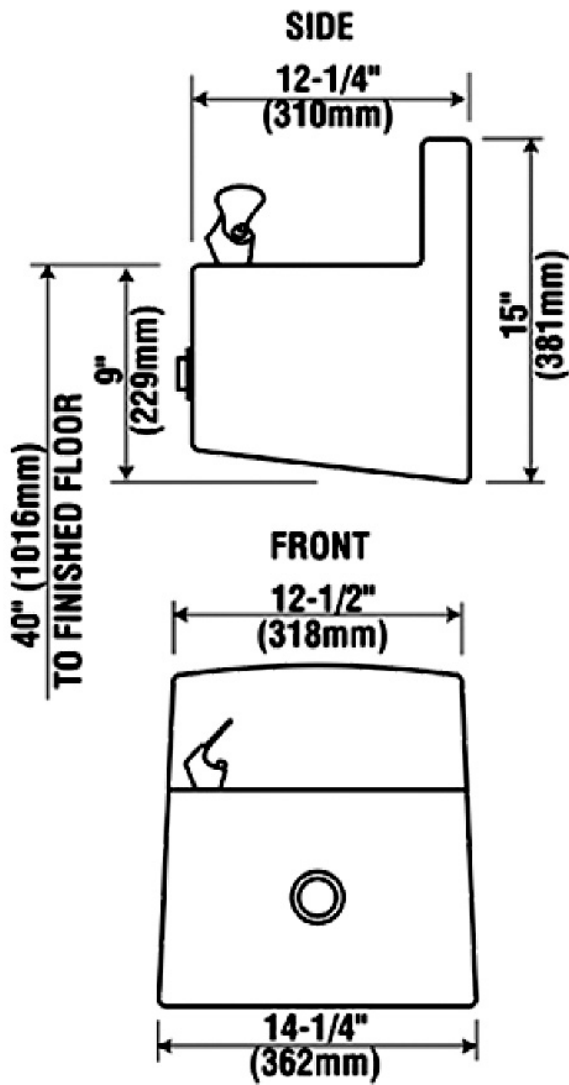
All dimensions subject to manufacturing variance of plus or minus 1/4" (6 mm)

- WDF-1000** 10" H x 12" W x 12<sup>7</sup>/<sub>8</sub>" L
- WDF-1001** 10" H x 12" W x 12<sup>7</sup>/<sub>8</sub>" L
- WDF-1040** 15" H x 14<sup>1</sup>/<sub>4</sub>" W x 12<sup>1</sup>/<sub>4</sub>" L
- WDF-1041** 15" H x 14<sup>1</sup>/<sub>4</sub>" W x 12<sup>1</sup>/<sub>4</sub>" L
- WDF-1050** 10<sup>7</sup>/<sub>8</sub>" H x 12" W x 22" L
- WDF-1051** 10<sup>7</sup>/<sub>8</sub>" H x 12" W x 22" L
- WDF-1060-C** 9<sup>1</sup>/<sub>2</sub>" H x 14" W x 19<sup>3</sup>/<sub>4</sub>" L
- WDF-1061-C** 9<sup>1</sup>/<sub>2</sub>" H x 14" W x 19<sup>3</sup>/<sub>4</sub>" L

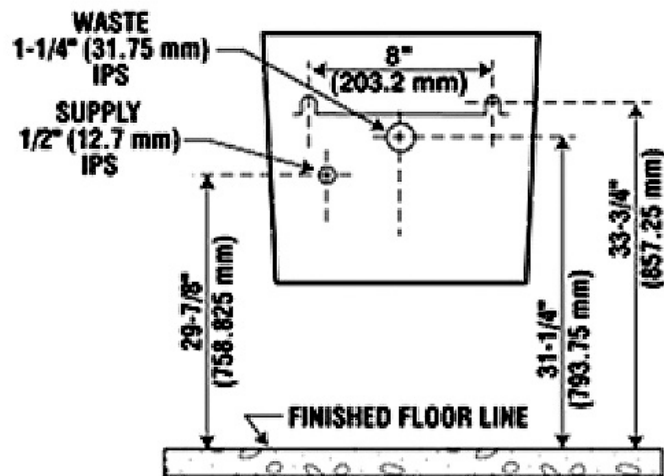
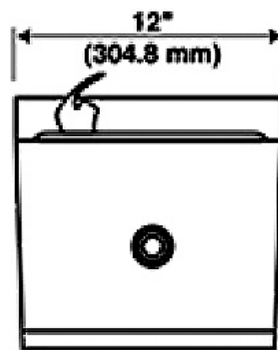
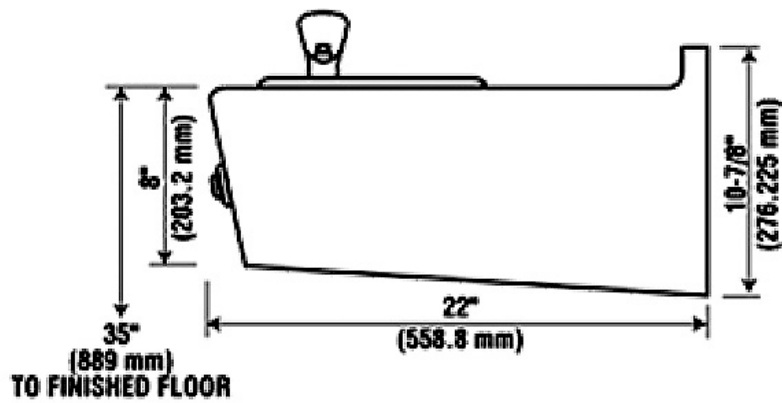
## WDF-1000



**WDF-1040**



**WDF-1050**



**WDF-1060**

