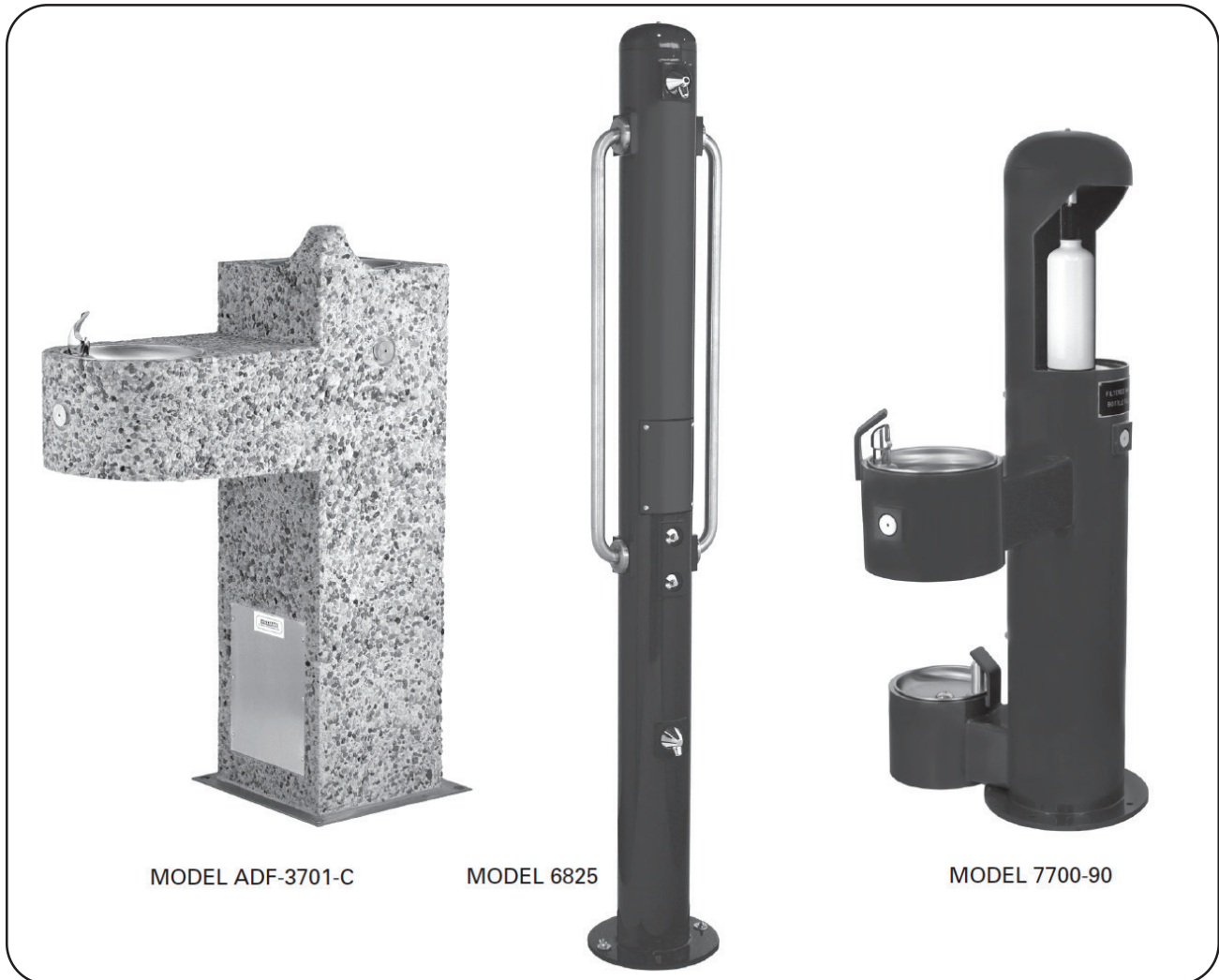




## CANADA DISTRIBUTOR PRICES — EFFECTIVE AUGUST 2022



### TERMS AND CONDITIONS OF SALE

Manufacturer's liability ceases upon delivery of shipment to carrier. Shortages must be reported to Stern-Williams within 10 days of receipt of shipment. The Consignee is to file claim against carrier for all goods lost or damaged in transit. No goods shall be returned without permission from the manufacturer and are subject to a handling charge. No debit memos will be accepted. Goods proved to be defective will be replaced at our discretion, but no claims for damage incurred or work done thereon will be allowed.

**TERMS:** A 2% cash discount will be allowed on the product price if paid on or before the 10th of the calendar month following that month in which shipment is made. Cash discount is to be calculated on the amount of the invoice before any additional charge for transportation and before addition of any ap-plicable taxes. All unearned discounts will be charged back to the buyer.

Invoices not discounted become past due on the first day of the second calendar month following the month of shipment with a service charge of 1-1/2% per month applied thereafter. Invoices dated after the 24th are considered next month's business.

Minimum Order \$35.00. All prices f.o.b. shipping point. Prices and specifications subject to change without notice. All prices and agreement contingent upon strikes, accidents and other causes beyond our control.

### STERN-WILLIAMS PRODUCTS, LLC

13920 Cypress Lane  
Grandview, MO 64030  
1-800-323-2359  
orders@sternwilliams.com  
sternwilliams.com

# DRINKING FOUNTAINS

## WALL MOUNTED

STAINLESS STEEL	MODEL	DESCRIPTION	SHIPPING WT.	PRICE
BARRIER-FREE	BF-5000*	Two Level with Back Plate	40 lbs. — 18.6 kg.	\$9,419.20
	BF-5000-FP*	Frost Proof	80 lbs. — 37.0 kg.	\$12,462.80
	BF-5020	Single with Back Plate	20 lbs. — 9.3 kg.	\$4,468.80
	BF-5020-FP	Frost Proof	45 lbs. — 20.9 kg.	\$5,961.20
	BF-5040	Single, Front Push Button	20 lbs. — 9.3kg.	\$4,351.20
	BF-5040-FP	Frost Proof	45 lbs. — 20.9 kg.	\$5,829.60
STANDARD	SF-5100	With Back Plate, Front Push Button	20 lbs. — 9.3 kg.	\$4,236.40
	SF-5100-FP	Frost Proof	45 lbs. — 20.9 kg.	\$5,698.00
	SF-5110	Front Push Button	15 lbs. — 7.0 kg.	\$4,113.20
	SF-5110-FP	Frost Proof	40 lbs. — 18.6 kg.	\$5,560.80
OPTIONS	BFCA-1	Cane Touch Apron	6 lbs. — 3.0 kg.	\$581.28
		<i>*NOTE: Vandal resistant bottom plate(s) and mountain plate(s) furnished on all models listed above.</i>		
BRACKET-MOUNTED	WDF-1020	Self Closing Lever Handle Valve	5 lbs. — 2.0 kg.	\$1,064.00
	WDF-1025	Push Button	5 lbs. — 2.0 kg.	\$823.20

SATINSTONE	MODEL	DESCRIPTION	SHIPPING WT.	PRICE
STANDARD	WDF-1040	White Polymarble	35 lbs. — 16.3 kg.	Call
	WDF-1040-FP	Frost Proof	60 lbs. — 27.9 kg.	Call

TERRAZZO	MODEL	DESCRIPTION	SHIPPING WT.	PRICE
BARRIER-FREE	WDF-1050	Polished	90 lbs. — 42.0 kg.	\$3,152.80
	WDF-1050-FP	Frost Proof	115 lbs. — 53.6 kg.	\$5,322.80
	WDF-1051	Light Etched	90 lbs. — 42.0 kg.	\$3,054.80
	WDF-1051-FP	Frost Proof	115 lbs. — 53.6 kg.	\$5,222.00
STANDARD	WDF-1000	Polished	40 lbs. — 18.7 kg.	\$3,021.20
	WDF-1000-FP	Frost Proof	60 lbs. — 28.0 kg.	\$5,026.00
	WDF-1001	Light Etched	40 lbs. — 18.7 kg.	\$2,760.80
	WDF-1001-FP	Frost Proof	60 lbs. — 28.0 kg.	\$4,928.00

AGREGATE	MODEL	DESCRIPTION	SHIPPING WT.	PRICE
BARRIER-FREE	WDF-1060-C	Light Etched	75 lbs. — 35.0 kg.	\$4,723.60
	WDF-1060-C-FP	Frost Proof	100 lbs. — 46.7 kg.	\$6,353.20
	WDF-1061-C	Medium Etched	75 lbs. — 35.0 kg.	\$4,723.60
	WDF-1061-C-FP	Frost Proof	100 lbs. — 46.7 kg.	\$6,353.20

METAL	MODEL	DESCRIPTION	SHIPPING WT.	PRICE
BARRIER-FREE SINGLE	5300	Single - Rear Mount	60 lbs. — 28.0 kg.	\$3,735.20
	5300-FP	Frost Proof	80 lbs. — 37.4 kg.	\$5,180.00
	5305	Single - Rear Mount		\$3,726.80
	5305-FP	Frost Proof		\$5,168.80
OPTIONS	FLWMP-1	Floor Support Carrier (5300)	20 lbs. — 9.0 kg.	\$1,237.60
	FLWMP-1-FM	Floor Support Carrier (5305)		\$1,288.00
	WMP-1	Mounting Plate (5300)		\$411.60
	WMP-1-FM	Mounting Plate (5305)		\$428.40
DUAL	5315*	Two Level - Rear Mount	120 lbs. — 56.0 kg.	\$7,084.00
	5315-FP*	Frost Proof	160 lbs. — 74.7 kg.	\$9,917.60
	5320*	Two Level - Rear Mount		\$7,075.60
	5320-FP	Frost Proof		\$9,928.80
OPTIONS	FLWMP-2	Floor Support Carrier (5315)	25 lbs. — 11.3 kg.	\$1,573.60
	FLWMP-2-FM	Floor Support Carrier (5320)		\$1,674.40
	WMP-2	Mounting Plate (5315)		\$715.40
	WMP-2-FM	Mounting Plate (5320)		\$761.60

# DRINKING FOUNTAINS

## PEDESTAL

AGGREGATE	MODEL	DESCRIPTION	SHIPPING WT.	PRICE
ROUND	RPF-3000-C	Light Etched	200 lbs.— 93.3 kg.	\$5,054.00
	RPF-3000-C-FP	Light Etched - Frost Proof	230 lbs.— 107.3 kg.	\$8,075.20
	RPF-3000-C-FPS	Light Etched - Sanifrost	235 lbs.— 109.6 kg.	\$10,724.00
	RPF-3001-C	Medium Etched	200 lbs.— 93.3 kg.	\$5,054.00
	RPF-3001-C-FP	Medium Etched - Frost Proof	230 lbs.— 107.3 kg.	\$8,075.20
	RPF-3001-C-FPS	Medium Etched - Sanifrost	235 lbs.— 109.6 kg.	\$10,724.00
SQUARE	SPF-3100-C	Light Etched	245 lbs.— 114.3 kg.	\$5,070.80
	SPF-3100-C-FP	Light Etched - Frost Proof	275 lbs.— 128.3 kg.	\$8,097.60
	SPF-3100-C-FPS	Light Etched - Sanifrost	280 lbs.— 126.0 kg.	\$10,682.00
	SPF-3101-C	Medium Etched	245 lbs.— 114.3 kg.	\$5,070.80
	SPF-3101-C-FP	Medium Etched - Frost Proof	275 lbs.— 128.3 kg.	\$8,097.60
	SPF-3101-C-FPS	Medium Etched - Sanifrost	280 lbs.— 126.0 kg.	\$10,682.00
ALL PURPOSE SINGLE	APF-3500-C	Light Etched	305 lbs.— 142.5 kg.	\$5,622.40
	APF-3500-C-FP	Light Etched - Frost Proof	335 lbs.— 156.5 kg.	\$8,814.40
	APF-3500-C-FPS	Light Etched - Sanifrost	340 lbs.— 158.8 kg.	\$11,466.00
	APF-3501-C	Medium Etched	305 lbs.— 142.5 kg.	\$5,622.40
	APF-3501-C-FP	Medium Etched - Frost Proof	335 lbs.— 156.5 kg.	\$8,814.40
	APF-3501-C-FPS	Medium Etched - Sanifrost	340 lbs.— 158.8 kg.	\$11,466.00
DUAL	ADF-3700-C	Light Etched	310 lbs.— 144.6 kg.	\$6,692.00
	ADF-3700-C-FP	Light Etched - Frost Proof	345 lbs.— 161.2 kg.	\$10,715.60
	ADF-3700-C-FPS	Light Etched - Sanifrost	350 lbs.— 163.3 kg.	\$13,664.00
	ADF-3701-C	Medium Etched	310 lbs.— 144.6 kg.	\$6,692.00
	ADF-3701-C-FP	Medium Etched - Frost Proof	345 lbs.— 161.2 kg.	\$10,715.60
	ADF-3701-C-FPS	Medium Etched - Sanifrost	350 lbs.— 163.3 kg.	\$13,596.80
TRIPLE	ADF-3900-C	Light Etched	370 lbs.— 172.6 kg.	\$12,359.20
	ADF-3900-C-FP	Light Etched - Frost Proof	410 lbs.— 191.3 kg.	\$17,785.60
	ADF-3901-C	Medium Etched	370 lbs.— 172.6 kg.	\$12,359.20
	ADF-3901-C-FP	Medium Etched - Frost Proof	410 lbs.— 191.3 kg.	\$17,785.60
OPTIONS (Add Suffix)	-31**	Chrome Plated Self-closing Jug Filler		\$859.60
	-32**	RCP Compression Type, Hose bibb with VB		\$705.60
	-32-LK**	RCP Compression Type, Hose bibb with VP and Loose Key		\$1,433.60
	-32-SC**	Self Closing Hose bibb with VB		\$1,848.00
	-33-VP**	Compression Type, Hose Bibb with S.S. Box with Locking Cover (N/A RPF)		\$2,497.60
	-34	Frost Proof Jug Filler		\$1,685.60
	-34-FPS	Sanifrost Jug Filler (-FPS Units Only)		\$10,441.20
	-36**	Push Button Jug Filler		\$2,142.00
	-37**	Foot Spray		\$2,707.60
	-38	Shutdown/Drain Valve		\$411.60
	-40	Commemorative Plaque		\$501.20
	-42	S.S. Bubbler Guard (ADF & APF Series)		\$378.00
	-60	Matching Step for Round Fountain	140 lbs.— 65.4 kg.	\$1,568.00
	-65	Matching Step for Square Fountain (N/A APF)	145 lbs.— 67.7 kg.	\$1,568.00
	-84	Water Filter		\$420.00
	-85	Valve Box (Recommended for -FP Units)	10 lbs.— 4.6 kg.	\$1,118.60
	-94	Pet Fountain-attached (N/A RPF)	55 lbs.— 25.7 kg.	\$3,021.20
	-94-FP	Frost Proof (N/A RPF)	55 lbs.— 25.7 kg.	\$2,730.00
	-94-FPS	Sanifrost (-FPS Units Only, N/A RPF)	55 lbs.— 25.7 kg.	\$11,622.80
	-95	Sand Trap	45 lbs.— 30.0 kg.	\$1,671.60
-96	Sand Strainer Plate	2 lbs.— 0.9 kg.	\$327.60	
	SMP-12R	Surface Mounting Plate-RPF Series	10 lbs.— 4.7 kg.	\$705.60
	SMP-12S	Surface Mounting Plate-ADF & APF Series	15 lbs.— 6.8 kg.	\$705.60
	SMP-12SQ	Surface Mounting Plate-SPF Series	10 lbs.— 4.7 kg.	\$705.60
	**NOTE: N/A with -FP models			



# DRINKING FOUNTAINS

## CHILDRENS HEIGHT PEDESTAL

METAL	MODEL	DESCRIPTION	SHIPPING WT.	PRICE
ROUND	5335	Surface Mount	80 lbs.— 36.3 kg.	\$4,620.00
	5335-FP	Frost Proof	110 lbs.— 50.0 kg.	\$7,067.20
ALL PURPOSE	5410	Surface Mount	115 lbs.— 52.2 kg.	\$6,168.40
	5410-FP	Frost Proof	145 lbs.— 65.8 kg.	\$9,338.00
	5410-TX4	Surface Mount	115 lbs.— 52.2 kg.	\$6,196.40
	5410-TX11	Surface Mount	115 lbs.— 52.2 kg.	\$6,224.40
	5410-TX4-FP or TX-11FP	Frost Proof	145 lbs.— 65.8 kg.	\$7,630.00
DUAL	5710	Surface Mount	120 lbs.— 54.5 kg.	\$7,266.00
	5710-FP	Frost Proof	170 lbs.— 77.2 kg.	\$11,138.40
OPTIONS (Add Suffix)	see page 4			

## SAND SMART

METAL	MODEL	DESCRIPTION	SHIPPING WT.	PRICE
ALL PURPOSE SINGLE	8400	Surface Mount - Single	125 lbs.— 56.8 kg.	\$8,481.20
	8400-SS	Stainless Steel	145 lbs.— 65.7 kg.	\$11,762.80
DUAL	8700	Dual Arms	170 lbs.— 77.1 kg.	\$12,891.20
	8700-SS	Stainless Steel	190 lbs.— 86.1 kg.	\$17,108.00
	8800	Arm & Pedestal	120 lbs.— 54.4 kg.	\$8,750.00
	8800-SS	Stainless Steel	140 lbs.— 63.5 kg.	\$12,563.60
OPTIONS (Add Suffix)	see page 4			

## ECONOMY PEDESTAL

METAL	MODEL	DESCRIPTION	SHIPPING WT.	PRICE
OPTIONS (N/A)	4300	Lever Handle Valve	25 lbs.— 11.6 kg.	\$1,806.00
	4400	Push Button Bubbler, Surface Mount	45 lbs.— 20.9 kg.	\$3,934.00
	4430	Lever Handle Valve, Surface Mount	45 lbs.— 20.9 kg.	\$3,785.60
OPTIONS (Add Suffix)	-85	Valve Box	10 lbs.— 4.5 kg.	\$1,118.60
	-87	Metal Valve Box	35 lbs.— 15.9 kg.	\$3,357.20
	-96	Sand Strainer Plate	2 lbs.— 0.9 kg.	\$327.60
	SMP-6	Surface Mounting Plate	10 lbs.— 4.5 kg.	\$753.20

# WATER BOTTLE FILLER STATIONS

## FILLER STATION

METAL	MODEL	DESCRIPTION	SHIPPING WT.	PRICE
	7300	Wall Mount	95 lbs.— 43.1 kg.	\$6,053.60
	7300-SS	Stainless Steel	105 lbs.— 47.6 kg.	\$8,514.80
	7325	Single Pedestal	100 lbs.— 45.4 kg.	\$5,583.20
	7325-SS	Stainless Steel	130 lbs.— 58.9 kg.	\$7,207.20
	7335	Wall Mount – Recessed	50 lbs.— 23.3 kg.	\$4,919.60
	7335-SS	Stainless Steel	60 lbs.— 27.9 kg.	\$6,728.40

## FILLER STATION WITH DRINKING FOUNTAIN (S)

METAL	MODEL	DESCRIPTION	SHIPPING WT.	PRICE
	7315*	Wall Mount & Single Fountain	150 lbs.— 68.1 kg.	\$10,088.40
	7315-SS*	Stainless Steel	170 lbs.— 77.1 kg.	\$13,269.20
	7320*	Wall Mount & Dual Fountains	145 lbs.— 65.8 kg.	\$11,373.60
	7320-SS*	Stainless Steel	155 lbs.— 72.4 kg.	\$15,450.40
	7700	With Single Fountain	160 lbs.— 74.7 kg.	\$10,603.60
	7700-SS	Stainless Steel	190 lbs.— 86.1 kg.	\$14,982.80
	7700-90	With Single Fountain & Pet Fountain	185 lbs.— 84.0 kg.	\$13,921.60
	7700-90-SS	Stainless Steel	195 lbs.— 88.4 kg.	\$21,910.00
	7730	ADA With Dual Arm/Pedestal Fountain	195 lbs.— 88.4 kg.	\$12,712.00
	7730-SS	Stainless Steel	215 lbs.— 97.5 kg.	\$17,906.00
	7925	ADA With Dual Arm Fountain	200 lbs.— 90.7 kg.	\$12,793.20
	7925-SS	Stainless Steel	220 lbs.— 99.8 kg.	\$18,037.60



# OUTDOOR SHOWERS

METAL	MODEL	DESCRIPTION	SHIPPING WT.	PRICE
FOOT ONLY	6000	Surface Mount	80 lbs.— 36.3 kg.	\$3,808.00
	6000-SS	Stainless Steel	100 lbs.— 45.3 kg.	\$5,913.60
	6000-MWL	Wall Mount	30 lbs.— 13.6 kg.	\$4,796.40
BODY & FOOT	6200	Surface Mount	190 lbs.— 86.3 kg.	\$6,529.60
	6200-SS	Stainless Steel	225 lbs.— 102.1 kg.	\$9,419.20
	6200-MWL	Wall Mount	100 lbs.— 45.4 kg.	\$6,510.00
	6200-WML-SS	Stainless Steel	120 lbs.— 54.5 kg.	\$9,391.20
DUAL BODY & FOOT	6400	Surface Mount	210 lbs.— 95.3 kg.	\$8,800.40
	6400-SS	Stainless Steel	225 lbs.— 102.0 kg.	\$11,874.80
ALL PURPOSE	6800	Side Access	200 lbs.— 90.8 kg.	\$7,834.40
	6800-SS	Stainless Steel	235 lbs.— 106.5 kg.	\$10,808.00
	6815	Front Access	216 lbs.— 97.9 kg.	\$7,831.60
	6815-SS	Stainless Steel	230 lbs.— 104.3 kg.	\$12,902.40
	6825	Side Access w/Grab Bar	210 lbs.— 95.3 kg.	\$10,794.00
	6825-SS	Stainless Steel	230 lbs.— 104.3 kg.	\$13,910.40
	6835	Front Access w/Grab Bar	210 lbs.— 95.3 kg.	\$10,794.00
	6835-SS	Stainless Steel	230 lbs.— 104.3 kg.	\$13,910.40
TRIPLE	6850	Surface Mount	200 lbs.— 90.8 kg.	\$7,845.60
	6850-SS	Stainless Steel	235 lbs.— 106.5 kg.	\$10,830.40
QUAD	6875	Surface Mount	200 lbs.— 90.8 kg.	\$12,090.40
	6875-SS	Stainless Steel	235 lbs.— 106.5 kg.	\$16,472.40
OPTION	SMP-6	Surface Mounting Plate	10 lbs.— 4.5 kg.	\$753.20

Note: Metering Valve is Standard

AGGREGATE	MODEL	DESCRIPTION	SHIPPING WT.	PRICE
FOOT ONLY	RPS-6000-C	Surface Mount	170 lbs.— 77.2 kg.	\$8,008.00
BODY & FOOT	RPS-6200-C	Surface Mount	425 lbs.— 193.0 kg.	\$11,844.00
DUAL BODY & FOOT	RPS-6400-C	Surface Mount	445 lbs.— 202.1 kg.	\$13,692.00
ALL PURPOSE	RPS-6800-C	Surface Mount	435 lbs.— 197.5 kg.	\$12,748.40
TRIPLE	RPS-6850-C	Surface Mount	435 lbs.— 197.5 kg.	\$12,748.40
OPTION	SMP-12R	Surface Mounting Plate	10 lbs.— 4.5 kg.	\$705.60

Note: Metering Valve is Standard

# OUTDOOR SHOWERS WITH DRINKING FOUNTAINS

METAL	MODEL	DESCRIPTION	SHIPPING WT.	PRICE
	6600	Surface Mount - Single	240 lbs.— 108.9 kg.	\$11,415.60
	6600-SS	Stainless Steel	260 lbs.— 117.9 kg.	\$15,206.80
	6630	Surface Mount - Dual	280 lbs.— 127.0 kg.	\$12,482.40
	6630-SS	Stainless Steel	300 lbs.— 136.0 kg.	\$16,478.00
	6650	Sand Answer - Surface Mount	240 lbs.— 108.9 kg.	\$10,861.20
	6650-SS	Stainless Steel	260 lbs.— 117.9 kg.	\$14,498.40
OPTION	SMP-6	Surface Mounting Plate	10 lbs.— 4.5 kg.	\$753.20

Note: Metering Valve is Standard

# HANDWASH STATION

METAL	MODEL	DESCRIPTION	SHIPPING WT.	PRICE
	-82	Handwash Option for Fountains	31 lbs.— 14 kg.	\$4,242.00
	8100	Pedestal Mount	120 lbs.— 54.4 kg.	\$7,640.00
	8200	Concealed Wall Mount	37 lbs.— 16.7 kg.	\$6,482.00
	8205	Front Wall Mount	33 lbs.— 14.9 kg.	\$6,400.00
	8215	Wall Mount Fountain & Concealed Mount Station	101 lbs.— 45.8 kg.	\$8,118.00
	8220	Wall Mount Fountain & Front Mount Station	97 lbs.— 43.9 kg.	\$7,888.00
	8500	Pedestal Fountain with Handwash Station	123 lbs.— 55.7 kg.	\$8,330.00

## COMFORT SPRAY STATION

METAL	MODEL	DESCRIPTION	SHIPPING WT.	PRICE
	6450	Surface Mount	145 lbs.— 65.8 kg.	\$9,819.60
	6450-SS	Stainless Steel	165 lbs.— 74.8 kg.	\$13,694.80
	6425	Surface Mount - Athletic	175 lbs.— 79.3 kg.	\$9,842.00
	6425-SS	Stainless Steel	195 lbs.— 88.4 kg.	\$12,854.80
OPTION	SMP-6	Surface Mounting Plate	10 lbs.— 4.5 kg.	\$753.20
<i>Note: Metering Valve is Standard</i>				

## COMFORT SPRAY STATIONS W/ DRINKING FOUNTAINS

METAL	MODEL	DESCRIPTION	SHIPPING WT.	PRICE
	6475	Surface Mount - Single	200 lbs.— 90.7 kg.	\$11,586.40
	6475-SS	Stainless Steel	220 lbs.— 99.7 kg.	\$16,349.20
	6495	Surface Mount - Dual	200 lbs.— 90.7 kg.	\$12,518.80
	6495-SS	Stainless Steel	220 lbs.— 99.7 kg.	\$17,343.20
OPTION	SMP-6	Surface Mounting Plate	10 lbs.— 4.5 kg.	\$753.20
<i>Note: Metering Valve is Standard</i>				

## PET FOUNTAINS

METAL	MODEL	DESCRIPTION	SHIPPING WT.	PRICE
	9000	Surface Mount - Single	65 lbs.— 30.4 kg.	\$4,317.60
	9000-FP	Frost proof	95 lbs.— 44.4 kg.	\$7,296.80
	9000-66-SS	With Hose Bibb & Hose	80 lbs.— 36.2 kg.	\$9,550.80
	9000-92	Surface Mount with Spray	75 lbs.— 35.0 kg.	\$7,243.60
	9002	Surface Mount - Dual	95 lbs.— 44.4 kg.	\$7,680.40
	9002-FP	Frost Proof	145 lbs.— 65.8 kg.	\$11,566.80
	9004-MWL	Wall Mount	55 lbs.— 24.9 kg.	\$5,485.20
OPTIONS (Add Suffix)	-32-SC**	Self Closing Hose Bibb		\$1,848.00
	-98	Leash Hook	2 lbs.— 0.9 kg.	\$358.40
	SMP-6	Surface Mounting Plate	10 lbs.— 4.5 kg.	\$753.20
<i>*NOTE: NOTE: For an attachment to a Pedestal Drinking fountain See -90 Option on Page 4</i>				
<i>**NOTE: N/A with -FP models</i>				

## PEDESTAL JUG FILLERS

METAL	MODEL	DESCRIPTION	SHIPPING WT.	PRICE
	7000-31	Surface Mount - Lever Handle	40 lbs.— 18.2 kg.	\$2,940.00
	7000-34	Surface Mount - Frost Proof	90 lbs.— 40.9 kg.	\$5,560.80
	7000-34-FPS	Sanifrost	95 lbs.— 43.1 kg.	\$8,878.80
	7000-36	Surface Mount - Push Button	45 lbs.— 21.0 kg.	\$3,992.80
	7000-36-MWL	Wall Mount	30 lbs.— 13.6 kg.	\$3,376.80
	7100-31	In Ground Bury - Lever Handle	60 lbs.— 27.2 kg.	\$2,732.80
	7100-36	In Ground Bury - Push Button	65 lbs.— 30.4 kg.	\$3,614.80
OPTIONS (Add Suffix)	SMP-6	Surface Mounting Plate	10 lbs.— 4.5 kg.	\$753.20

## PEDESTAL HOSE BIBBS

METAL	MODEL	DESCRIPTION	SHIPPING WT.	PRICE
	7000-32	Surface Mount	40 lbs.— 18.7 kg.	\$3,127.60
	7000-32-LK	Surface Mount w/Loose Key	40 lbs.— 18.7 kg.	\$2,940.00
	7000-32-VP	Surface Mount w/Key Operated Cover	45 lbs.— 21.0 kg.	\$5,499.20
	7000-35-VP	Recessed w/Key Operated Cover	40 lbs.— 18.7 kg.	\$5,902.40
	7100-32	In Ground Bury	50 lbs.— 23.4 kg.	\$2,914.80
	7100-32-LK	In Ground Bury w/Loose Key	50 lbs.— 23.4 kg.	\$2,940.00
	7100-32-VP	In Ground Bury w/Key Operated Cover	50 lbs.— 23.4 kg.	\$5,339.60
	7100-35-VP	In Ground Bury w/Key Operated Cover	50 lbs.— 23.4 kg.	\$6,106.80
OPTIONS (Add Suffix)	SMP-6	Surface Mounting Plate	10 lbs.— 4.5 kg.	\$753.20

# REFRIGERATED DRINKING FOUNTAINS

## WALL MOUNTED

STAINLESS STEEL	MODEL	DESCRIPTION	GPH	SHIPPING WT.	PRICE
BARRIER-FREE	BFR-6000*	Two Level, Push Button	8	192 lbs.— 86.0 kg.	\$10,642.80
	BFR-6025*	Two Level, Sensor	8	192 lbs.— 86.0 kg.	\$11,541.60
	BFR-6050	Single Level, Push Button	8	112 lbs.— 50.0 kg.	\$8,481.20
	BFR-6075	Single Level, Sensor	8	112 lbs.— 50.0 kg.	\$9,153.20
	<i>Mounting frame (included with all models listed above)</i>				

## PEDESTAL

METAL	MODEL	DESCRIPTION	GPH	SHIPPING WT.	PRICE
STANDARD	5380	Brute, Surface Mount	8	265 lbs.— 126.3 kg.	\$10,586.80
	5380-SS				\$12,692.40
ALL PURPOSE SINGLE	5480	Brute, Surface Mount	8	265 lbs.— 126.3 kg.	\$12,210.80
	5480-SS				\$14,495.60
DUAL	5780	Brute, Surface Mount	8	265 lbs.— 126.3 kg.	\$13,328.00
	5780-SS				\$15,433.60
TRIPLE	5980	Brute, Surface Mount	8	265 lbs.— 126.3 kg.	\$15,117.20
	5980-SS				\$16,102.80
OPTION (Add Suffix)	-32**	Hose Bibb			\$705.60
	-32-LK**	Hose Bibb with Loose Key			\$1,433.60
	-35-VP**	Recessed Hose Bibb with Locking Cover			\$2,265.20
	-36**	Push Button Jug Filler			\$2,142.00
	-37**	Foot Spray			\$2,707.60
	-40	Commemorative Plaque			\$501.20
	-85	Valve Box		10 lbs.— 4.5 kg.	\$1,118.60
	-87	Metal Valve Box		35 lbs.— 15.9 kg.	\$3,357.20
	-90	Pet Fountain - Attached		30 lbs.— 13.9 kg.	\$3,318.00
	-90-SS	Pet Fountain Attached (Stainless)			\$6,927.20
	-96	Sand Strainer Plate		2 lbs.— 0.9 kg.	\$327.60
	SMP-18	Surface Mounting Plate		20 lbs.— 9.3 kg.	\$837.20

AGGREGATE	MODEL	DESCRIPTION	GPH	SHIPPING WT.	PRICE
BARRIER-FREE	SPFR-3780-C	Light Etched	8	550 lbs.— 256.6 kg.	\$15,621.20
	SPFR-3781-C	Medium Etched	8	550 lbs.— 256.6 kg.	\$15,621.20
STANDARD	SPFR-3100-C	Light Etched	8	500 lbs.— 233.3 kg.	\$9,858.80
	SPFR-3101-C	Medium Etched	8	500 lbs.— 233.3 kg.	\$9,858.80
OPTION (Add Suffix)	-32**	Hose Bibb			\$705.60
	-32-LK**	Hose Bibb with Loose Key			\$1,433.60
	-36**	Push Button Jug Filler			\$2,142.00
	-37**	Foot Spray			\$2,707.60
	-40	Commemorative Plaque			\$501.20
	-85	Valve Box		10 lbs.— 4.5 kg.	\$1,118.60
	-87	Metal Valve Box		35 lbs.— 15.9 kg.	\$3,357.20
	-96	Sand Strainer Plate		2 lbs.— 0.9 kg.	\$327.60
	SMP-24	Surface Mounting Plate		20 lbs.— 9.3 kg.	\$932.40
		<i>**Non Refrigerated Options</i>			

## SOLAR LIGHT OPTION

OPTION	MODEL	DESCRIPTION	SHIPPING WT.	PRICE
Can be used on the following models: 6200, 6400, 6600, 6630, 6650, 6800, 6815, 6825, 6835, 6850, 7325, 7700, 7730, 7925	-100	Solar Light Unit	192 lbs.— 86.0 kg.	\$5,388.00

## CUSTOMIZED PRODUCTS

Our engineering department welcomes your request for special needs for outdoor water products. Please contact us for a quotation.