

## WDA-3405, WDA-3430, WDA-3460 PENTELIC ROLL-IN SHOWER FLOORS

Wheelchair shower floors are flanged on three sides for a watertight joint between the wall and shower floor. Tiling flanges are intended to be used with wall tile applied by others to conform with Federal, state and local shower stall dimensions.

The intent is to allow a wheelchair patient to remain seated in the wheelchair and roll into the shower. This model must be recessed into the building floor to allow unobstructed wheelchair entry.



ADA Compliant (WDA-3405, WDA-3460 and WDA-3430)  
ACA Compliant (WDA-3460 only)

### FEATURES

(Shown above) Model WDA-3430

- Terrazzo is cast in white Portland cement with a composition of black and white quartz, marble and other materials, then ground smooth, grouted and sealed to resist stains and moisture which produces a compressive strength of 3000 PSI seven days after casting.
- All models conform to 2010 ADA standards for accessible design and A.117.1–2009
- Integral cast 2" bottom outlet brass drain under the grate
- Terrazzo's natural non-slip surface provides better footing and increased safety.
- Custom configurations available – Drain positions, overall size, tiling flanges and color options. Call for more information and pricing.

### OPTIONAL COMPONENTS

- PB:** Polished Brass Strainer
- VP:** Vandal Proof Drain
- TC-2:** 2" Drain Gasket for a 2" pipe - Brass drains only
- QDC4000:** 2" Drain Gasket for a 2" pipe - Stainless steel drains only

### ORDERING OPTIONS

Part Number

**WDA-**



**Size**

- 3405:** 40×38"
- 3430:** 64×32"
- 3460:** 64×38"

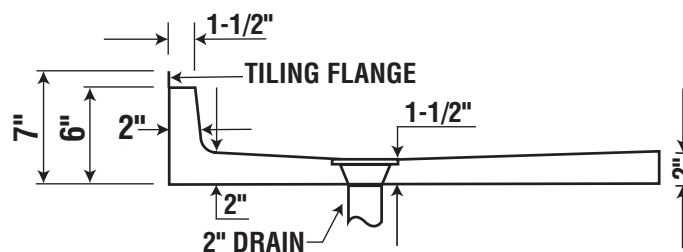
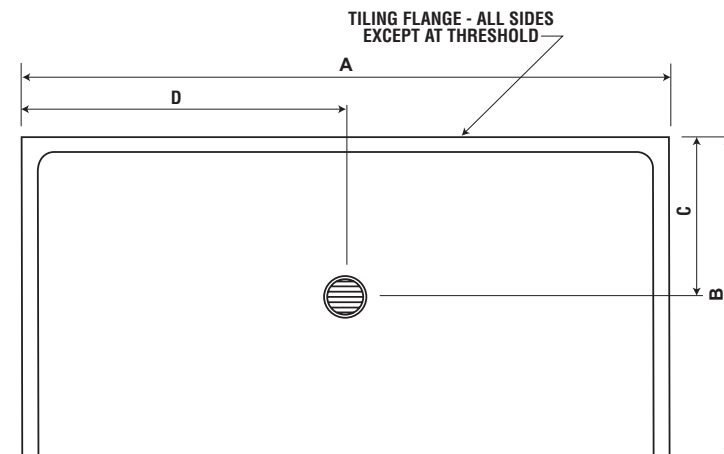
## DIMENSIONS

Barrier-Free installation, contractor shall provide recess for curb.

All dimensions subject to manufacturing variance of plus or minus 1/4" (6 mm).

MODEL	FLANGES	RAMP	SIZE	A	B	C	D
WDA-3405*	3 sides	—	40x38	40	38	19-1/2	19-1/2
WDA-3430**	3 sides	—	64x32	64	32	16	32
WDA-3460**	3 sides	—	64x38	64	38	19	32

\*ADA Transfer Style Compliant \*\*ADA Roll-In Compliant



SECTION THRU SHOWER FLOOR

## SPECS

Furnish and install Pentelic Roll-In shower floor manufactured by Stern-Williams using black and white chips cast in white Portland cement. The terrazzo material shall have a compressive strength not less than 3000 PSI after full cure. All exposed terrazzo surfaces shall be ground smooth, grouted, and factory sealed to resist stains and moisture. Tiling flanges, cast integral shall be of stainless steel and shall not extend not less than one inch above the shoulder. Shower floors include a brass drain body that is cast integral to the shower floor with a removable type stainless steel strainer. Drain shall provide for a gasket or caulked lead connection not less than one inch deep to a two inch pipe. All models conform to ADA standards. Shall be made in the USA.