

WH-2200, WH-2400, WH-2500, WH-2600, WH-2700, WH-2800, WH-2900, WH-3000

SERPENTINE SHOWER FLOOR FOR WHEELCHAIRS

WH-Series are handicapped accessible shower floors with lower than normal threshold to make it easier for the wheelchair and geriatric patients to enter. These are ideal for nursing homes, retirement villages and apartments. Must be recessed 2" into the subfloor for barrier free access. Flanged on three sides for a water tight joint between the wall and shower floor. Tiling flanges are intended to be used with wall tile applied by others to conform with Federal, state and local shower stall dimensions.



ADA Compliant (WH-2400 only)

(Shown above) WH-2200

FEATURES

- Terrazzo is cast in white Portland cement with a composition of black and white quartz, marble and other materials, then ground smooth, grouted and sealed to resist stains and moisture which produces a compressive strength of 3000 PSI seven days after casting.
- Model WH-2400 conforms to 2010 ADA standards for accessible design and A.117.1-2009
- Institutional 6" sidewall; Barrier Free, and threshold is just 2-1/2" high and must be recessed into the building
- Integral cast 2" brass drain with removable stainless steel strainer plate.
- Terrazzo's natural non-slip surface provides better footing and increased safety.
- Custom configurations available – Drain positions, overall size, tiling flanges and color options. Call for more information and pricing.

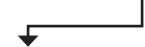
OPTIONAL COMPONENTS

- RDP:** Removable Aluminum Alumni Ramp
- PB:** Polished Brass Strainer
- VP:** Vandal Proof Drain
- TC-2:** 2" Drain Gasket for a 2" pipe - Brass drains only
- QDC4000:** 2" Drain Gasket for a 2" pipe - Stainless steel drains only

ORDERING OPTIONS

Part Number

WH- _____



Size

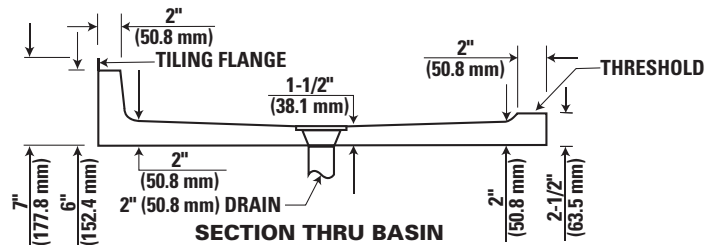
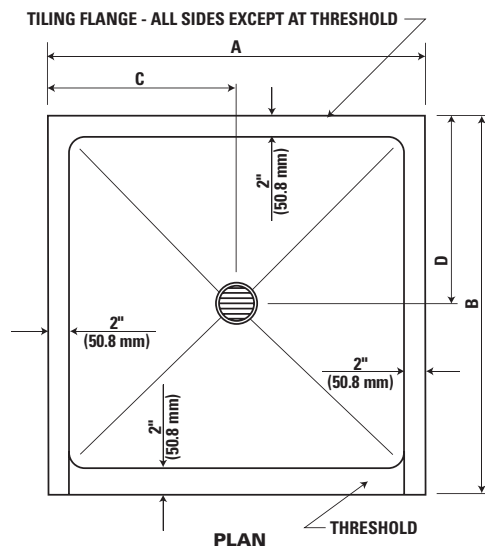
- 2200:** 36x36"
- 2400:** 40x40"
- 2500:** 42x42"
- 2600:** 48x36"
- 2700:** 48x48"
- 2800:** 60x32"
- 2900:** 60x34"
- 3000:** 46x52"

DIMENSIONS

Barrier-Free installation, contractor shall provide recess for curb.

All dimensions subject to manufacturing variance of plus or minus 1/4" (6 mm).

MODEL	FLANGES	SIZE	A	B	C	D
WH-2200	3 sides	36x36	36	36	18	18
WH-2400	3 sides	40x40	40	40	20	20
WH-2500	3 sides	42x42	42	42	21	21
WH-2600	3 sides	48x36	48	36	24	18
WH-2700	3 sides	48x48	48	48	24	24
WH-2800	3 sides	60x32	60	32	30	16
WH-2900	3 sides	60x34	60	34	30	17
WH-3000	3 sides	46x52	46	52	23	8



SPECS

Furnish and install Serpentine Handicap Accessible shower floor manufactured by Stern-Williams using black and white chips cast in white Portland cement. The terrazzo material shall have a compressive strength not less than 3000 PSI after full cure. All exposed terrazzo surfaces shall be ground smooth, grouted, and factory sealed to resist stains and moisture. Tiling flanges, cast integral shall be of stainless steel and shall not extend not less than one inch above the shoulder. Shoulder shall be not less than two inches wide. Shower floors include a brass drain body that is cast integral to the shower floor with a removable type stainless steel strainer. Drain shall provide for a gasket or caulked lead connection not less than one inch deep to a two inch pipe. Select models conform to ADA standards. Shall be made in the USA.