

## WS-3200, WS-3500, WS-3501, WS-3502, WS-3503, WS-3504, WS-3505 SERPENTINE SHOWER FLOOR FOR WHEELCHAIRS

WS-Series Serpentine shower floors for the handicapped comes with an integral cast 12” ramp with a 6” stainless steel entry cap, available in recommended several sizes. Flanged on three sides for a water tight joint between the wall and shower floor. Tiling flanges are intended to be used with wall tile applied by others to conform with Federal, state and local shower stall dimensions.



(Shown above) WS-3200



ADA Compliant ( WS-3505 only)

### FEATURES

- Terrazzo is cast in white Portland cement with a composition of black and white quartz, marble and other materials, then ground smooth, grouted and sealed to resist stains and moisture which produces a compressive strength of 3000 PSI seven days after casting.
- Institutional 6” sidewall; Barrier Free.
- Integral cast 2” brass drain with removable stainless steel strainer plate.
- A cast in water dam is standard to help reduce water run off.
- Shower floor must be set on level grout or mortar bed – See instructions for details.
- Terrazzo’s natural non-slip surface provides better footing and increased safety.
- Custom configurations available – Drain positions, overall size, color options. Call for more information and pricing.

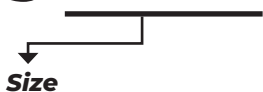
### OPTIONAL COMPONENTS

- RDM:** Collapsible Water Dam
- PB:** Polished Brass Strainer
- VP:** Vandal Proof Drain
- TC-2:** 2” Drain Gasket for a 2” pipe - Brass drains only
- QDC4000:** 2” Drain Gasket for a 2” pipe - Stainless steel drains only

### ORDERING OPTIONS

Part Number

**WS-**



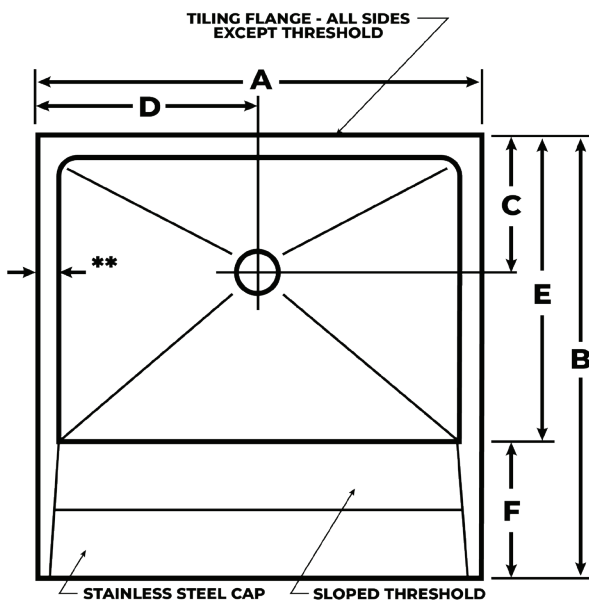
- 3200:** 36×36”
- 3500:** 48×48”
- 3501:** 60×48”
- 3502:** 60×60”
- 3503:** 42×70”
- 3504:** 48×70”
- 3505:** 60×70”

## DIMENSIONS

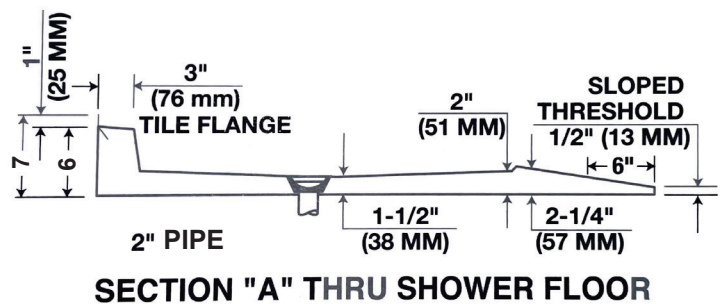
All dimensions subject to manufacturing variance of plus or minus 1/4" (6 mm).

\*ADA Compliant

MODEL	FLANGES	RAMP	SIZE	A	B	C	D	E	F
WS-3200	3 sides	1 side	36x36	36	36	12	18	24	12
WS-3500	3 sides	1 side	48x48	48	48	18	24	36	12
WS-3501	3 sides	1 side	60x48	60	48	18	30	36	12
WS-3502	3 sides	1 side	60x60	60	60	24	30	48	12
WS-3503	3 sides	1 side	42x70	42	70	9	21	58	12
WS-3504	3 sides	1 side	48x70	48	70	9	24	58	12
WS-3505*	3 sides	1 side	60x70	60	70	9	30	58	12



**PLAN**  
"WS" SERIES W/ 3" CURB\*\*



**SECTION "A" THRU SHOWER FLOOR**

## SPECS

Furnish and install Serpentine shower floor with a wheelchair accessible ramp and a 6" stainless steel cap on threshold manufactured by Stern-Williams using black and white chips cast in white Portland cement. The terrazzo material shall have a compressive strength not less than 3000 PSI after full cure. All exposed terrazzo surfaces shall be ground smooth, grouted, and factory sealed to resist stains and moisture. Select models are ADA compliant. Tiling flanges, cast integral on 3 sides shall be of stainless steel and shall not extend not less than one inch above the shoulder. Shower floors include a brass drain body that is cast integral to the shower floor with a removable type stainless steel strainer. Drain shall provide for a gasket or caulked lead connection not less than one inch deep to a two inch pipe. Select models conform to ADA standards. Shall be made in the USA.