

## BP BACK PANELS

Stern-Williams back panels are great for containing water splashes within any utility sink area, ensuring a cleaner and safer workspace by preventing water from spreading onto surrounding walls. Beyond enhancing cleanliness, the back panels play a crucial role in averting potential water damage which can lead to high maintenance costs later on. They provide wall protection against everyday use.



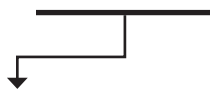
### FEATURES

- 24 Gauge 304 Stainless Steel
- Redirects any liquid, splashed towards the wall, back into the mop sink.
- Safeguards all wall types against rips and punctures from harsh use.
- Stainless steel is virtually unaffected by most acidic or alkaline substances which may deteriorate guards made of other materials.
- Stainless steel material and finish is durable and maintenance free.
- Easy to seal and prevents water or chemicals from coming into contact with the surrounding wall.

### ORDERING OPTIONS

Part Number

**BP-**

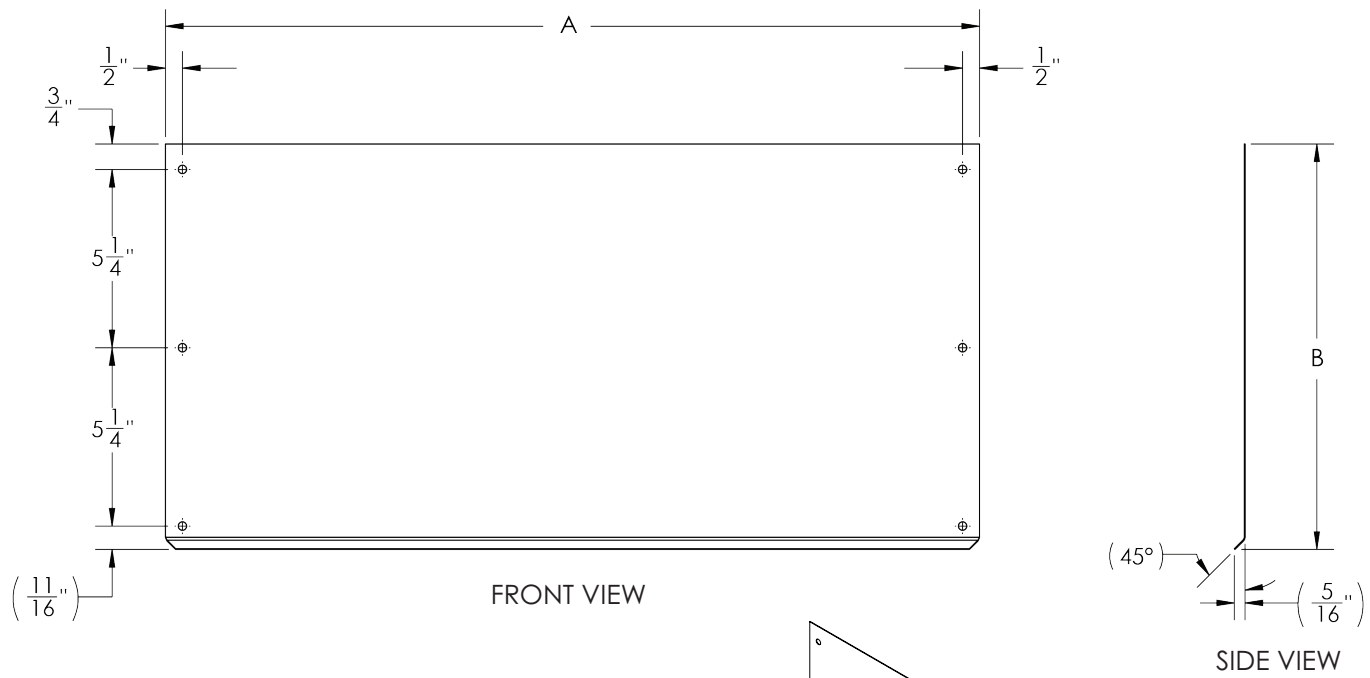


#### Options

- 1-24:** Single Panel Stainless Steel Splash Catcher 24" W x 12" H
- 2-24:** Two Panel-One Corner Stainless Steel Splash Catcher 24" W x 12" H
- 2-2436:** Two Panel-One Corner Stainless Steel Splash Catcher 24" W x 36" W x 12" H
- 2-28:** Two Panel-One Corner Stainless Steel Splash Catcher 28" W x 12" H
- 2-32:** Two Panel-One Corner Stainless Steel Splash Catcher 32" W x 12" H
- 2-36:** Two Panel-One Corner Stainless Steel Splash Catcher 36" W x 12" H
- 3-24:** Three Panel-Two Corner Stainless Steel Splash Catcher 24" W x 12" H

*Custom sized solutions available upon request!*

## DIMENSIONS



MODEL	A (in)	B (in)
BP-1-24	24	12
BP-2-24	24	12
BP-2-2436	24,36	12
BP-2-28	28	12
BP-2-32	32	12
BP-2-26	36	12
BP-3-24	24	12

