

MODEL 4300, 4400 & 4430 ECONOMY DRINKING FOUNTAINS

Models are great for playgrounds, shopping areas or any high traffic areas where cost is a consideration. Standard features include chrome-plated brass bubbler locked to stainless steel receptor.

The Model 4300 has a self-closing chrome-plated lever valve handle, the Model 4400 is a surface mount with a push button, and the Model 4430 is a surface mount with a lever handle bubbler.

FEATURES

- All steel heavy-duty construction with welded and ground joints for a clean and tidy appearance (4400 and 4430)
- Stainless Steel (-SS) bodies available for harsh coastal environments
- Vandal resistant access plates for security and simple future maintenance
- Anchor installed mounting plate comes standard, ground installed mounting plate available as an option for installation assistance (SMP-6).
- Fountain Bowl is heavy duty 18 gauge stainless steel with brushed finish and vandal-resistant chrome plated brass strainer. A drain tool is included with each fountain.
- All flow paths are lead-free with reinforced stainless-steel tubing that comply with NSF-61 standards.
- Stainless steel supply fittings connected to reinforced tubing.
- In-line mesh screen Y strainer.
- ½” Inlet stop valve for simple future maintenance.
- 1-1/4” IPS waste pipes included with every fountain.
- Standard Woodland Green Finish with Optional colors.



(Shown above) Model 4400

ORDERING OPTIONS

4400-



Optional

- SS:** Stainless Steel Body Upgrade
- 85:** Valve Box
- 87:** Metal in Ground Valve Box
- 96:** Sand Strainer Plate
- SMP-6:** Surface Mounting Plate

4430-



Optional

- SS:** Stainless Steel Body Upgrade
- 85:** Valve Box
- 87:** Metal in Ground Valve Box
- 96:** Sand Strainer Plate
- SMP-6:** Surface Mounting Plate

*A maximum of 3 options may be added to a fountain.

DIMENSIONS

All dimensions subject to manufacturing variance of plus or minus 1/4" (6 mm)

4300 35"H x 12" Dia. base /

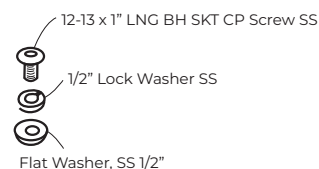
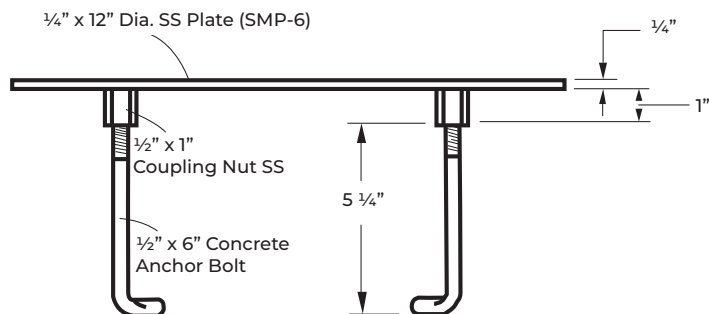
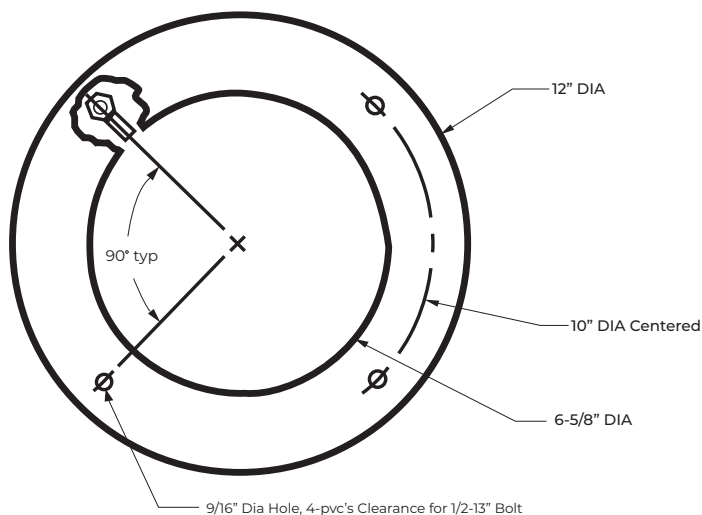
4400 36"H x 12" Dia. base / Single with surface mount

4430 36"H x 12" Dia. base / Single with surface mount with level handle

SPEC

Furnish and install Stern-Williams Economy Drinking Fountain (specify model # and options). Drinking fountains shall be carbon steel or 304 stainless steel and a powder coated finish with either the standard Woodland Green or optional colors. Chrome plated brass bubblers shall have a water pressure range of 30-80 PSI. Welded anchor base shall be 1/2" thick. Fountains shall be installed per manufacturers recommendations and instructions. Drinking fountain flow paths are lead-free with reinforced stainless-steel tubing that comply with NSF-61 standards. Made in the USA.

SMP-6



4300

