

MODEL 5325 SINGLE ROUND PEDESTAL DRINKING FOUNTAINS

The deep, rich Woodland Green color, scratch resistant finish make these fountains an excellent choice for playgrounds and recreational areas. Fountains are made to stand up to the toughest environments.

FEATURES

- All steel heavy-duty construction with welded and ground joints for a clean and tidy appearance.
- Stainless Steel (-SS) bodies available for harsh coastal environments.
- Vandal resistant access plates for security and simple future maintenance.
- Vandal resistant bubbler guard unique to Stern Williams Fountains assures years of service.
- Water pressure range of 30-80 PSI.
- Anchor installed mounting plate comes standard, ground installed mounting plate available as an option for installation assistance (SMP-10).
- Recessed push button requires less than 5 lbs of force and is manufactured from chrome plated brass for reliability and long wear life with a water flow of 0.5 GPM.
- Simple flow adjustment without requiring the dismantling of the fountain.
- Fountain bowl is heavy duty 18 gauge stainless steel with brushed finish and vandal-resistant chrome plated brass strainer. A drain tool is included with each fountain.
- All flow paths are lead-free with reinforced stainless-steel tubing that comply with NSF-61 standards.
- In-line mesh screen Y strainer.
- ½” Inlet stop valve for simple future maintenance.
- 1 ¼” IPS waste pipes included on each fountain.
- Standard Woodland Green finish with optional colors available.



(Shown above) Model 5325 with -90 pet fountain

ORDERING OPTIONS

Part Number

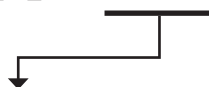
5325-



Optional

- 31:** Freeze-proof Valve System
- 32:** Freeze-proof Valve System & Sanifrost
- 32-LK:** with loose key
- 32-SC:** Self-closing, hose end and vacuum breaker
- 32-VP:** Vandalproof Compression Valve
- 35:** Recessed compression-type, hose end and vacuum breaker
- 35-VP:** Above with key-operated cover
- 36:** Push Button Jug Filler
- 37:** Foot spray
- 38:** Shutdown Drain Valve
- 40:** Commemorative plaque
- 84:** Water filter
- 85:** Ground valve box w/ lid
- 86:** Attached metal valve box
- 90:** Pet Fountain
- 95:** Sand trap
- 96:** Sand strainer plate
- SS:** Stainless steel body upgrade

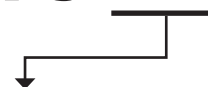
5325-FP-



Optional

- 34:** C.P. freeze-proof jug filler
- 38:** Shutdown Drain Valve
- 40:** Commemorative plaque
- 85:** Ground valve box w/ lid
- 86:** Attached metal valve box
- 90-FP:** Pet Fountain
- 95:** Sand trap
- 96:** Sand strainer plate
- SS:** Stainless steel body upgrade

5325-FPS-



Optional

- 34-FPS:** Sanifrost
- 38:** Shutdown Drain Valve
- 40:** Commemorative plaque
- 85:** Ground valve box w/ lid
- 86:** Attached metal valve box
- 90-FPS:** Pet Fountain
- 95:** Sand trap
- 96:** Sand strainer plate
- SS:** Stainless steel body upgrade

*A maximum of 3 options may be added to a fountain.

DIMENSIONS

These rough-in dimensions may vary 1/2" (13 mm) plus or minus

5325 38"H x 10-3/4"W x 15-1/4" Dia. base / Surface mount

5325-FP 38"H x 10-3/4"W x 15-1/4" Dia. base / With freeze proof valve system

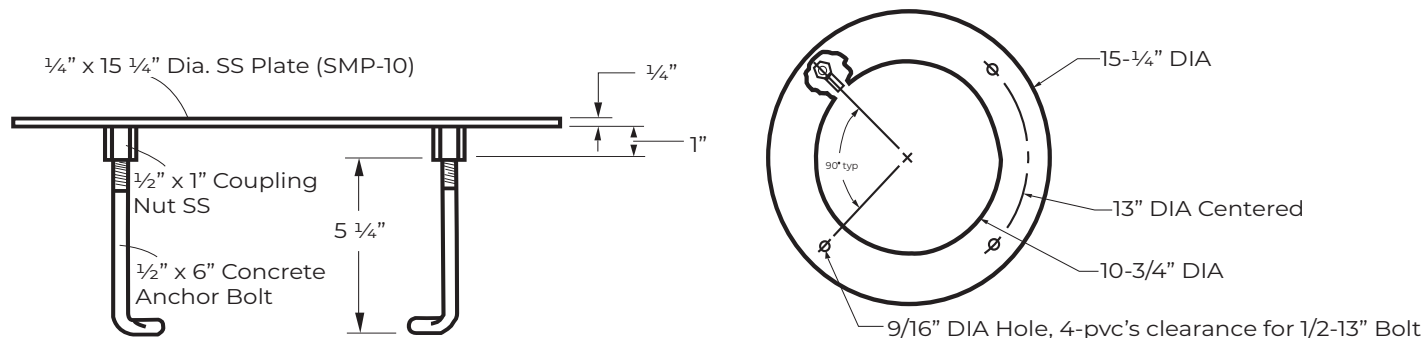
5325-FPS 38"H x 10-3/4"W x 15-1/4" Dia. base / Sanifrost, a patented environment friendly freeze-proof valve system that has no weep hole or pump system. Ideal for high water table or inadequate site drainage applications.

SPEC

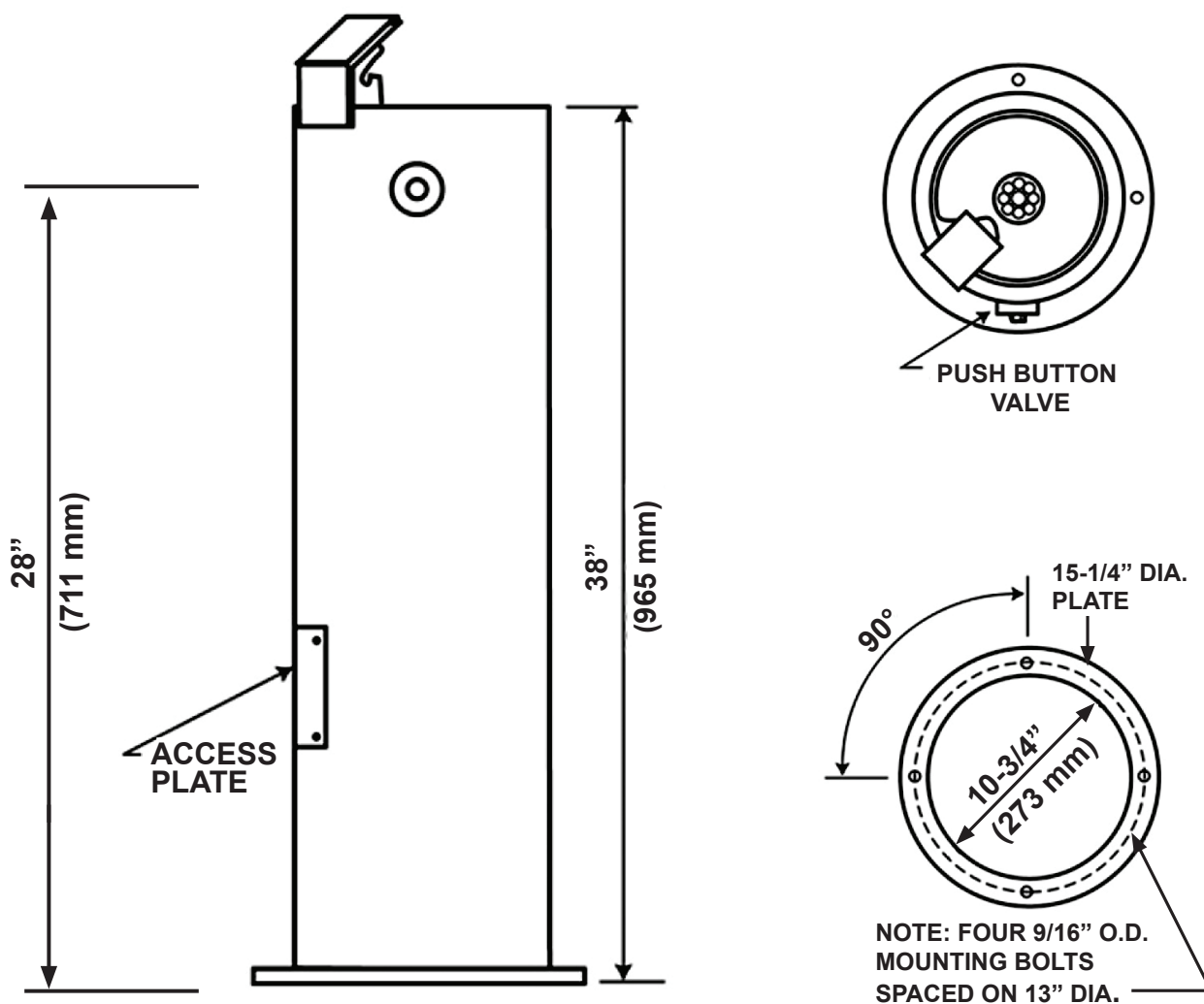
Furnish and install Stern-Williams Single Round Pedestal Drinking Fountain (specify model # and options). Drinking fountain shall be carbon steel or 304 stainless steel and a powder coated finish. Fountain shall have chrome plated brass bubblers with vandal resistant bubbler guard. Water pressure range shall be 30-80 PSI. Fountains shall provide for simple flow adjustment without requiring dismantling of fountain with a water flow of 0.5 GPM. Welded anchor base shall be 1/2" thick. Joints must be welded and ground smooth. Push buttons shall require less than 5 lbs of force in compliance with ADA code. Fountains shall be installed per manufacturers recommendations and instructions. Drinking fountain flow paths are lead-free with reinforced stainless-steel tubing that comply with NSF-61 standards. Made in the USA.

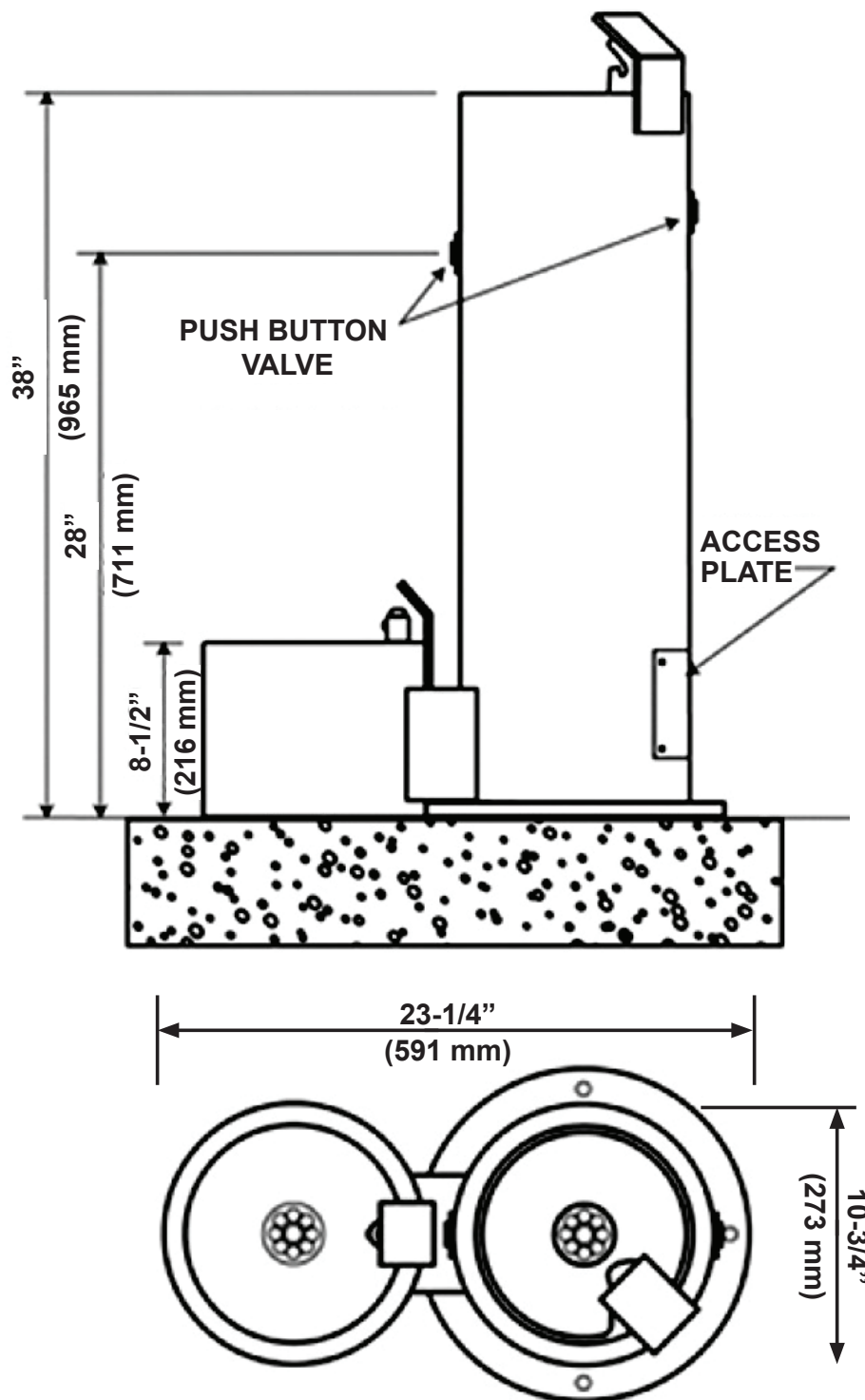
SMP-10

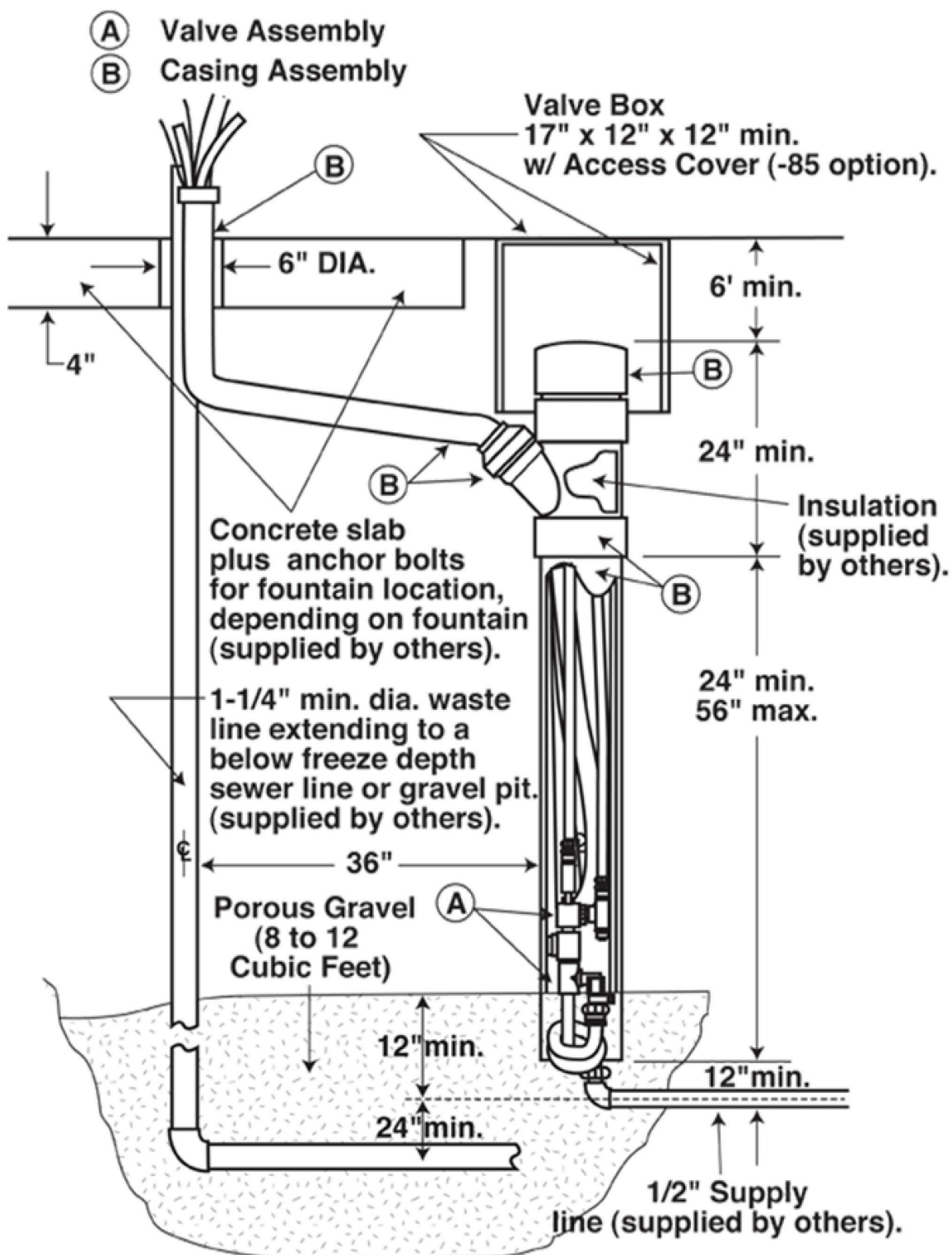
Optional ground installed mounting plates to assist with installation



5325





5325-FP


5325-FPS

