

## MODEL 5335, 5410 & 5710 CHILD HEIGHT DRINKING FOUNTAINS

Our low-profile children's height Model 5335, Model 5410, and Model 5710 fountains are an excellent choice for daycare centers and preschools.

Model 5335 are single round pedestal drinking fountain.

Model 5410 single pedestal drinking fountain. Model 5410 fountains are also available as 5410-TX4 for Texas ages 4-11 or as 5410-TX11 for Texas ages 11-15. (ADA Compliant)

Model 5710 are dual pedestal drinking fountains. (ADA Compliant)

### FEATURES

- All steel heavy-duty construction with welded and ground joints for a clean and tidy appearance.
- Stainless Steel (-SS) bodies available for harsh coastal environments.
- Vandal resistant access plates for security and simple future maintenance.
- Vandal resistant bubbler guard unique to Stern Williams Fountains assures years of service.
- Water pressure range of 30-80 PSI.
- Anchor installed mounting plate comes standard, ground installed mounting plate available as an option for installation assistance (SMP-10).
- Recessed push button require less than 5 lbs of force and is manufactured from chrome plated brass for reliability and long wear life with a water flow of 0.5 GPM.
- Simple flow adjustment without requiring the dismantling of the fountain.
- Fountain Bowl is heavy duty 18 gauge stainless steel with brushed finish and vandal-resistant chrome plated brass strainer. A drain tool is included with each fountain.
- All flow paths are lead-free with reinforced stainless-steel tubing that comply with NSF-61 standards.
- Stainless steel supply fittings connected to reinforced tubing.
- In-line mesh screen Y strainer.
- ½" Inlet stop valve for simple future maintenance.
- 1-1/4" IPS waste pipes included with every fountain.
- Standard Woodland Green Finish with Optional colors.



(Shown above) Model 5335



## ORDERING OPTIONS

Part Number

**5335-(FP)-**



**Optional**

- SS:** Stainless Steel Body Upgrade
- 31:** Chrome Plated Jug Filler
- 32:** RCP Hose Bibb with VB
- 32-LK:** RCP Hose Bibb with VB and Key
- 32-SC:** Self Closing Hose Bibb with VB
- 32-VP:** Recessed Vandalproof Valve
- 35:** Recessed Compression Type
- 35-VP:** Recessed Hose Bibb with Lock
- 36:** Push Button Jug Filler
- 37:** Foot Spray
- 38:** Shutdown/Drain Valve
- 40:** Commemorative Plaque
- 84:** Water Filter
- 85:** Ground Valve Box with Lid
- 90:** Pet Fountain
- 95:** Sand Trap
- 96:** Sand Strainer Plate
- SMP-10:** Surface Mounting Plate

**5410-(FP)-**



**Optional**

- SS:** Stainless Steel Body Upgrade
- 31:** Chrome Plated Jug Filler
- 32:** RCP Hose Bibb with VB
- 32-LK:** RCP Hose Bibb with VB and Key
- 32-SC:** Self Closing Hose Bibb with VB
- 32-VP:** Recessed Vandalproof Valve
- 35:** Recessed Compression Type
- 35-VP:** Recessed Hose Bibb with Lock
- 36:** Push Button Jug Filler
- 37:** Foot Spray
- 38:** Shutdown/Drain Valve
- 40:** Commemorative Plaque
- 84:** Water Filter
- 85:** Ground Valve Box with Lid
- 90:** Pet Fountain
- 95:** Sand Trap
- 96:** Sand Strainer Plate
- SMP-10:** Surface Mounting Plate
- TX4:** Suitable for children 4-11 in TX
- TX11:** Suitable for children 11-15 in TX

**5710-(FP)-**



**Optional**

- SS:** Stainless Steel Body Upgrade
- 31:** Chrome Plated Jug Filler
- 32:** RCP Hose Bibb with VB
- 32-LK:** RCP Hose Bibb with VB and Key
- 32-SC:** Self Closing Hose Bibb with VB
- 32-VP:** Recessed Vandalproof Valve
- 35:** Recessed Compression Type
- 35-VP:** Recessed Hose Bibb with Lock
- 36:** Push Button Jug Filler
- 37:** Foot Spray
- 38:** Shutdown/Drain Valve
- 40:** Commemorative Plaque
- 84:** Water Filter
- 85:** Ground Valve Box with Lid
- 90:** Pet Fountain
- 95:** Sand Trap
- 96:** Sand Strainer Plate
- SMP-10:** Surface Mounting Plate

\*A maximum of 3 options may be added to a fountain.

## DIMENSIONS

These rough-in dimensions may vary 1/2" (13 mm) plus or minus

**5335** 24"H x 10-3/4"W x 10-5/8" Dia. base / Surface Mount

**5410** 32-1/4"H x 10-3/4"W x 30-3/4"L / Surface Mount

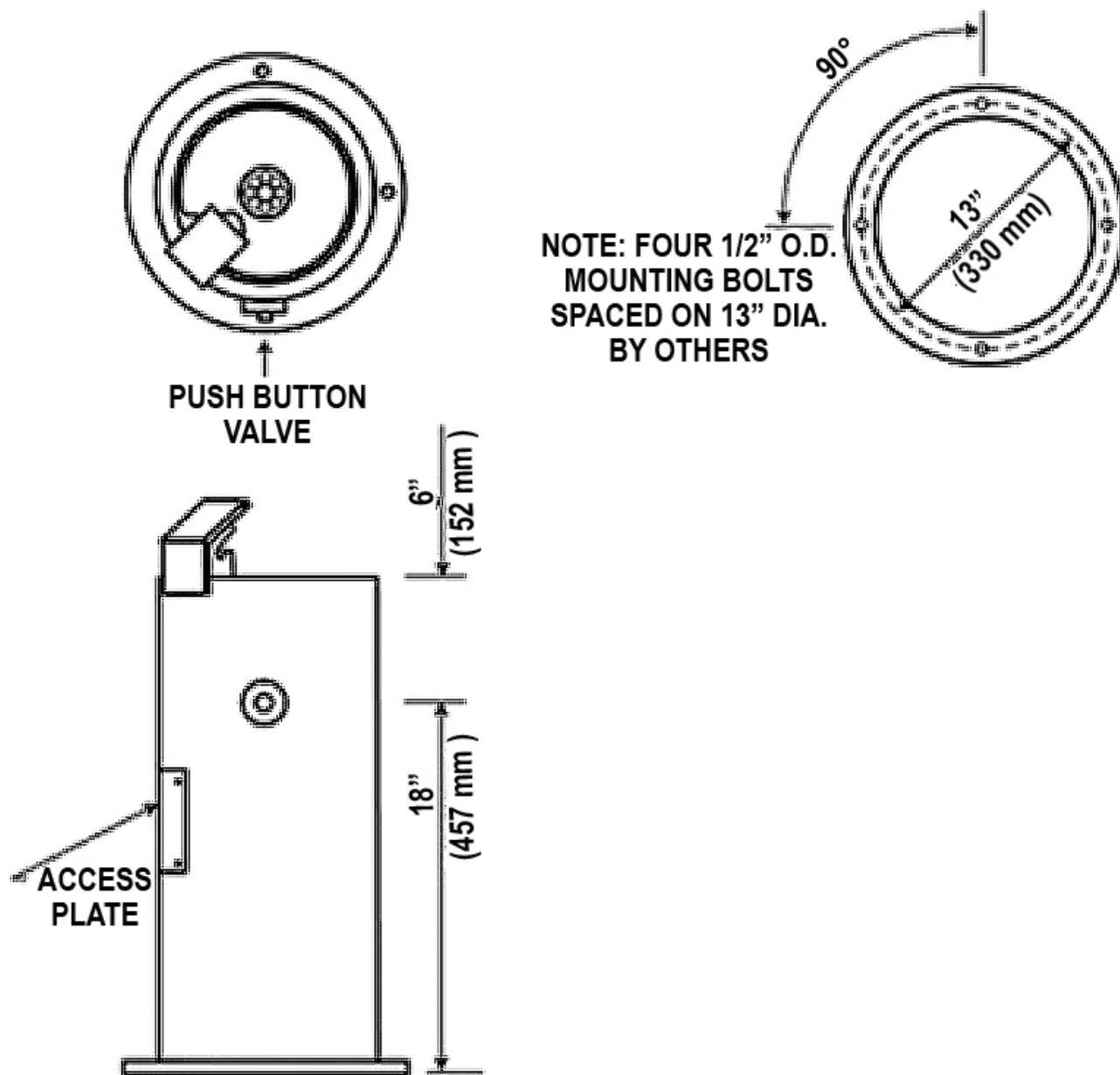
**5410-TX4** 34-1/4"H x 10-3/4"W x 30-3/4"L / Surface Mount; Texas (TAS) ages 4-11

**5410-TX11** 36-1/4"H x 10-3/4"W x 30-3/4"L / Surface Mount; Texas (TAS) ages 11-15

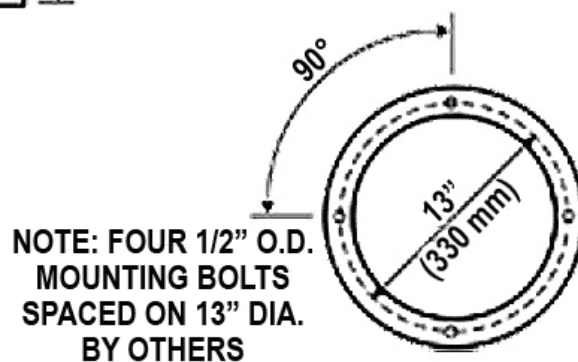
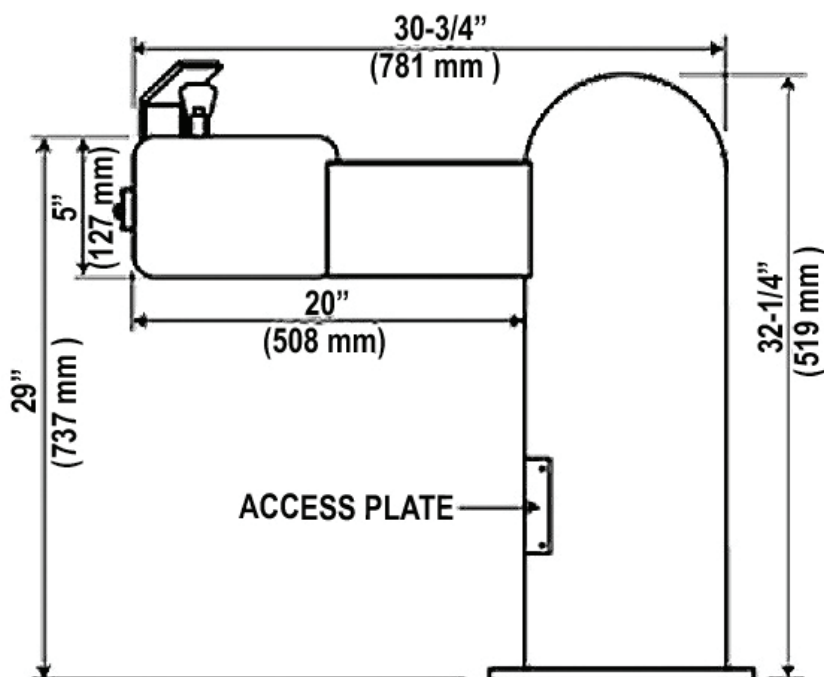
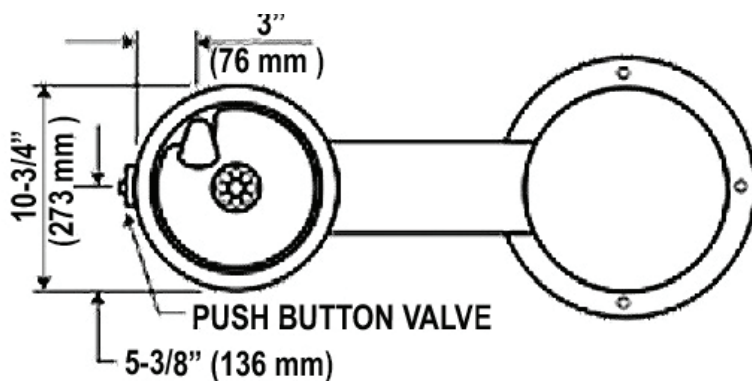
**5710** 35"H x 10-3/4"W x 30-3/4"L / Surface Mount

## SPEC

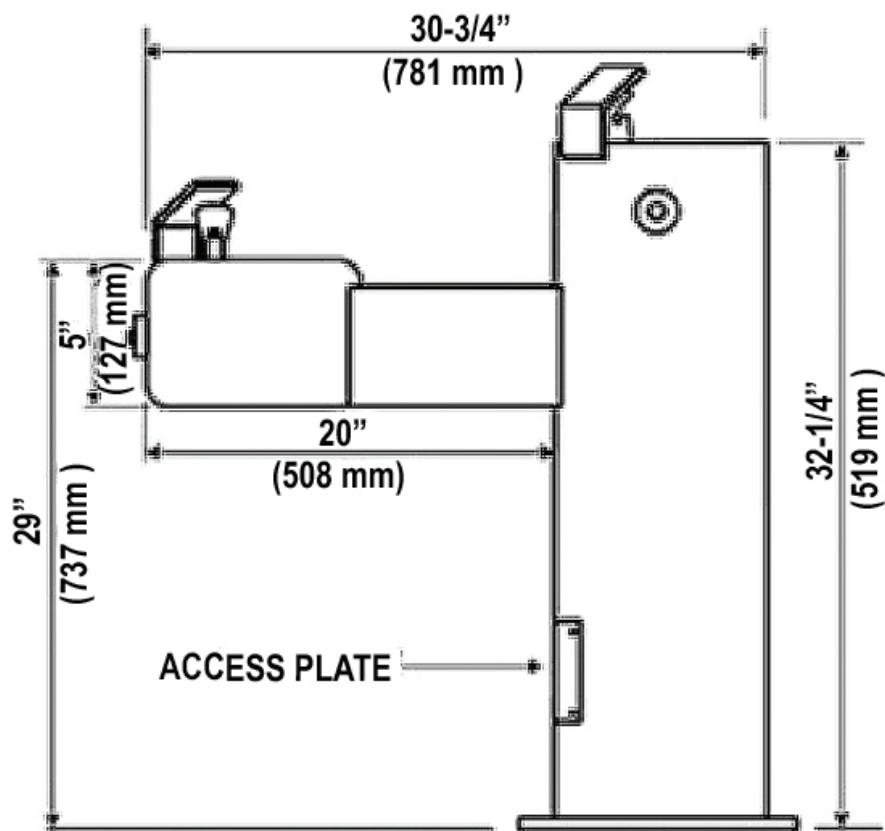
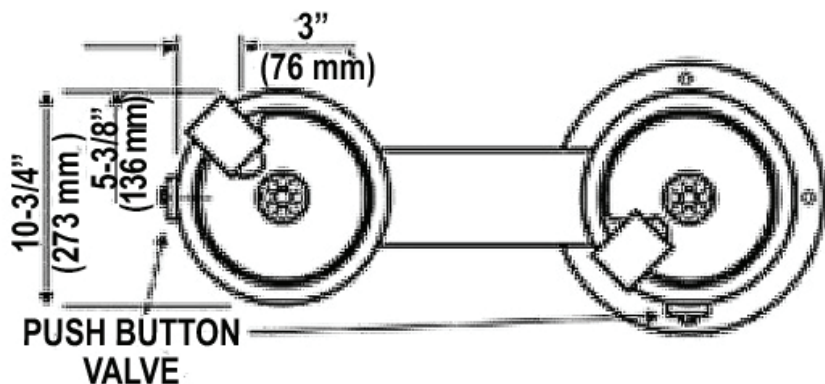
Furnish and install Stern-Williams Child Height Drinking Fountain (specify model # and options). Drinking fountain shall be carbon steel or 304 stainless steel and a powder coated finish. Fountain shall have chrome plated brass bubblers with vandal resistant bubbler guard. Water pressure range shall be 30-80 PSI. Fountains shall provide for simple flow adjustment without requiring dismantling of fountain with a water flow of 0.5 GPM. Welded anchor base shall be 1/2" thick. Joints must be welded and ground smooth. Push buttons shall require less than 5 lbs of force in compliance with ADA code. Fountains shall be installed per manufacturers recommendations and instructions. Drinking fountain flow paths are lead-free with reinforced stainless-steel tubing that comply with NSF-61 standards. Made in the USA.



**5410**



**5710**



**NOTE: FOUR 1/2" O.D. MOUNTING BOLTS SPACED ON 13" DIA. BY OTHERS**

