

MODEL 5925 TRIPLE PEDESTAL DRINKING FOUNTAINS

Striking design with clean, sleek lines. Designed to defy the elements, resist vandals, and stand up to hard use, The Model 5925 fountain is available with three drinking fountains on one pedestal.



ADA Compliant

FEATURES

- All steel heavy-duty construction with welded and ground joints for a clean and tidy appearance.
- Stainless Steel (-SS) bodies available for harsh coastal environments.
- Vandal resistant access plates for security and simple future maintenance.
- Vandal resistant bubbler guard unique to Stern Williams Fountains assures years of service .
- Water pressure range of 30-80 PSI.
- Anchor installed mounting plate comes standard, ground installed mounting plate available as an option for installation assistance (SMP-10).
- Recessed push button requires less than 5 lbs of force and is manufactured from chrome plated brass for reliability and long wear life with a water flow of 0.5 GPM.
- Simple flow adjustment without requiring the dismantling of the fountain.
- Fountain Bowl is heavy duty 18 gauge stainless steel with brushed finish and vandal-resistant chrome plated brass strainer. A drain tool is included with each fountain.
- All flow paths are lead-free with reinforced stainless-steel tubing that comply with NSF-61 standards.
- In-line mesh screen Y strainer.
- ½” Inlet stop valve for simple future maintenance.
- 1 ¼” IPS waste pipes included on each fountain.
- Standard Woodland Green finish with optional colors available.





ORDERING OPTIONS

Part Number

5925-

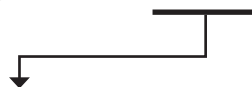


Optional

- SS:** Stainless Steel Body Upgrade
- 31:** Chrome Plated Jug Filler
- 32:** RCP Hose bibb with VB
- 32-LK:** RCP Hose bibb with VB and Key
- 32-SC:** Self Closing Hose bibb with VB
- 32-VP:** Recessed Vandalproof Compression Valve
- 35:** Recessed Compression Type
- 35-VP:** Recessed Hose Bibb with Locking Cover
- 36:** Push Button Jug Filler
- 37:** Foot Spray
- 38:** Shutdown/Drain Valve
- 40:** Commemorative Plaque
- 84:** Water Filter
- 85:** Valve Box (Recommended for -FP)
- 86:** Attached Metal Valve Box
- 90:** Pet Fountain attached
- 95:** Sand Trap
- 96:** Sand Strainer Plate
- SMP-10:** Surface Mounting Plate

*A maximum of 3 options may be added to a fountain.

5925-FP-



Optional

- SS:** Stainless Steel Body Upgrade
- 34:** Frost Proof Jug Filler
- 38:** Shutdown/Drain Valve
- 40:** Commemorative Plaque
- 85:** Valve Box (Recommended for -FP)
- 86:** Attached Metal Valve Box
- 90-FP:** Frost Proof
- 95:** Sand Trap
- 96:** Sand Strainer Plate
- SMP-10:** Surface Mounting Plate

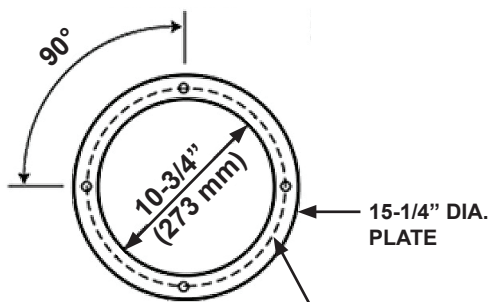
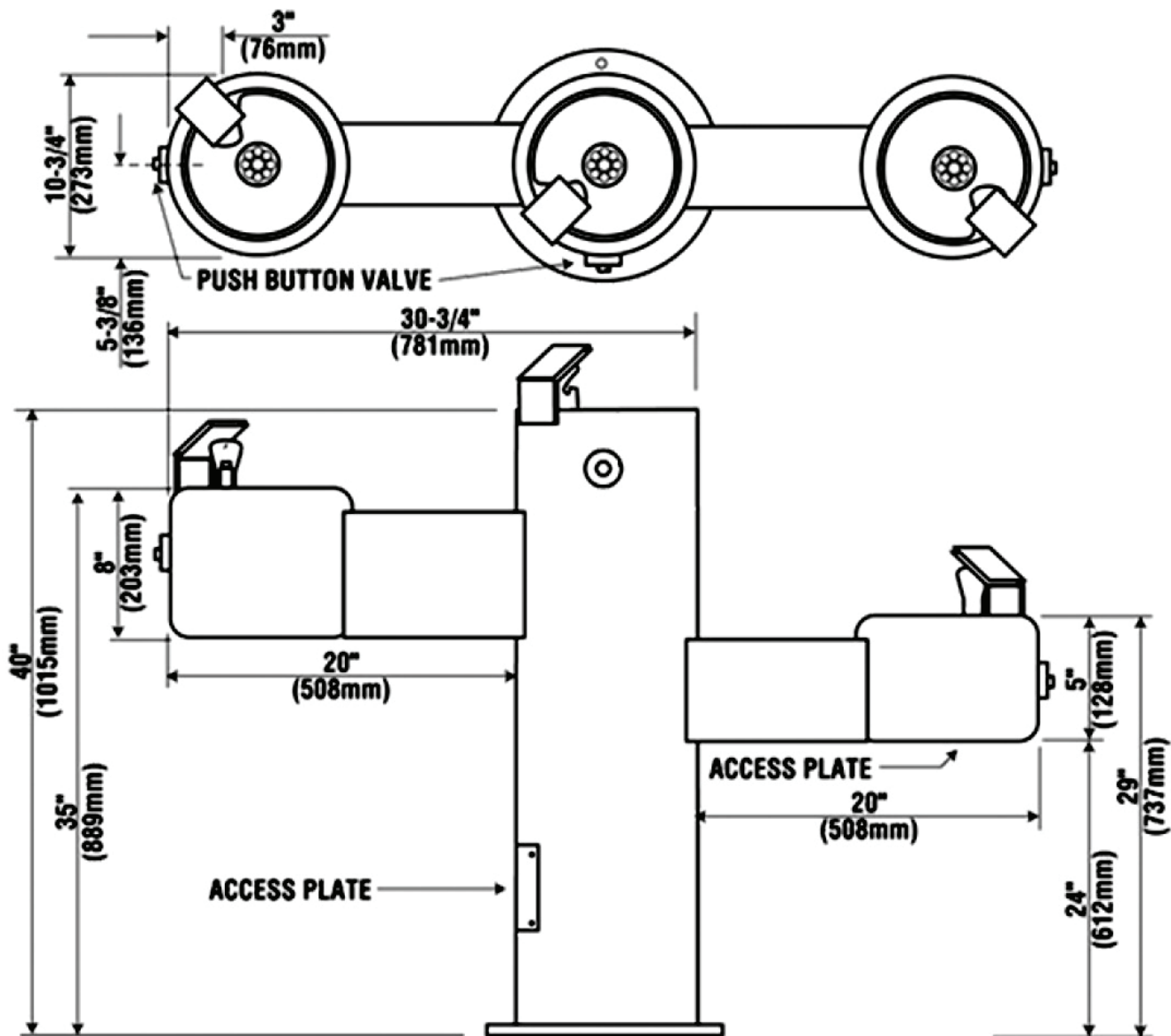
DIMENSIONS

All dimensions subject to manufacturing variance of plus or minus 1/4" (6 mm)

5925 40"H x 10-3/4"W x 50-3/4"L / Triple with surface mount

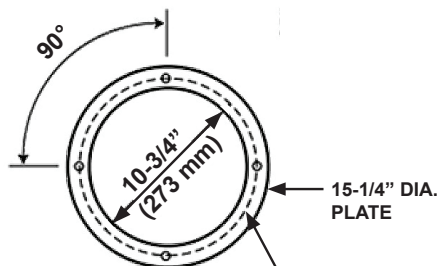
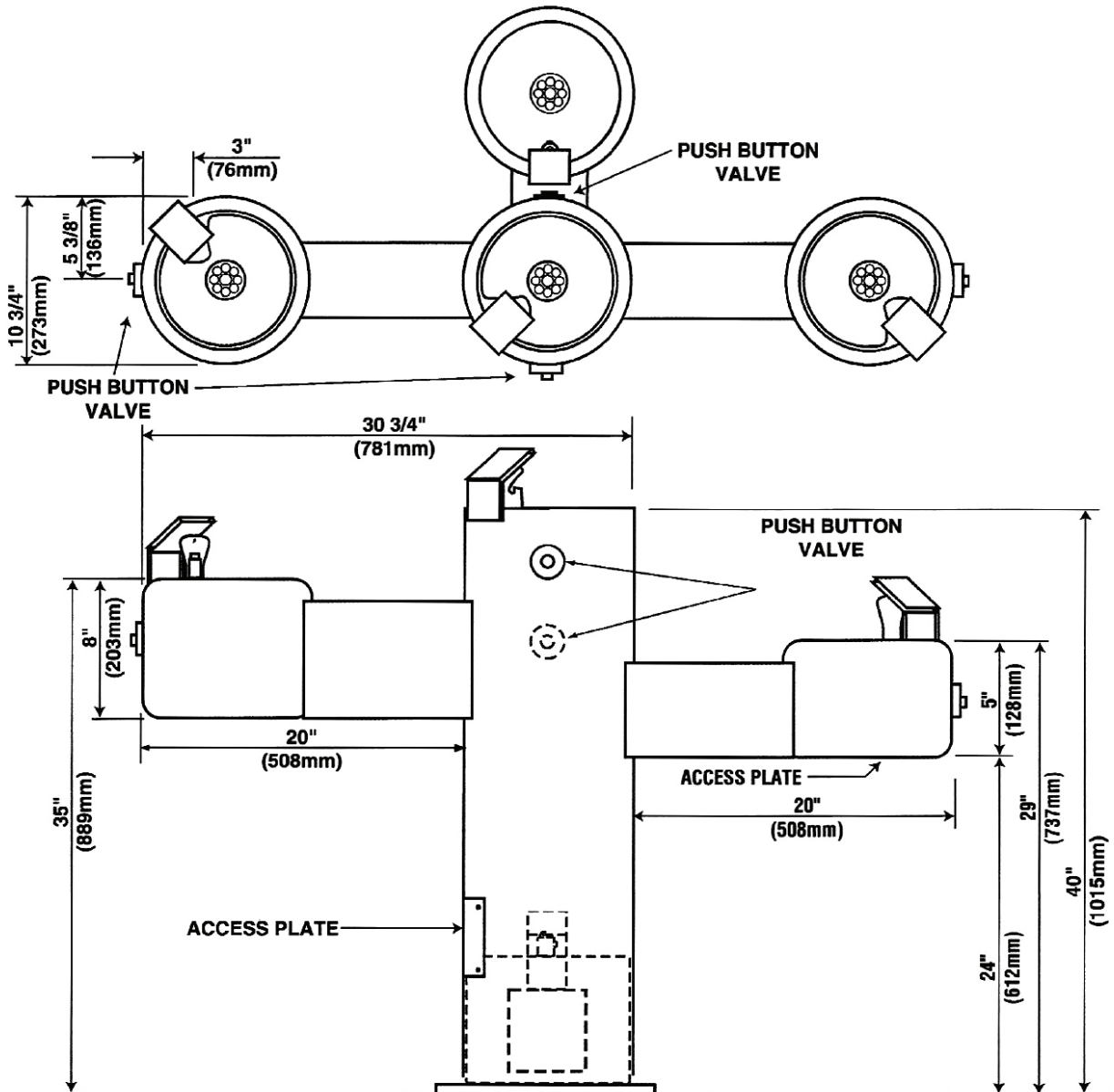
SPEC

Furnish and install Stern-Williams Triple Pedestal Drinking Fountain (specify model # and options). Drinking fountain shall be carbon steel or 304 stainless steel and a powder coated finish. Fountain shall have chrome plated brass bubblers with vandal resistant bubbler guard. Water pressure range shall be 30-80 PSI. Fountains shall provide for simple flow adjustment without requiring dismantling of fountain with a water flow of 0.5 GPM. Welded anchor base shall be 1/2" thick. Joints must be welded and ground smooth. Push buttons shall require less than 5 lbs of force in compliance with ADA code. Fountains shall be installed per manufacturers recommendations and instructions. Drinking fountain flow paths are lead-free with reinforced stainless-steel tubing that comply with NSF-61 standards. Made in the USA.



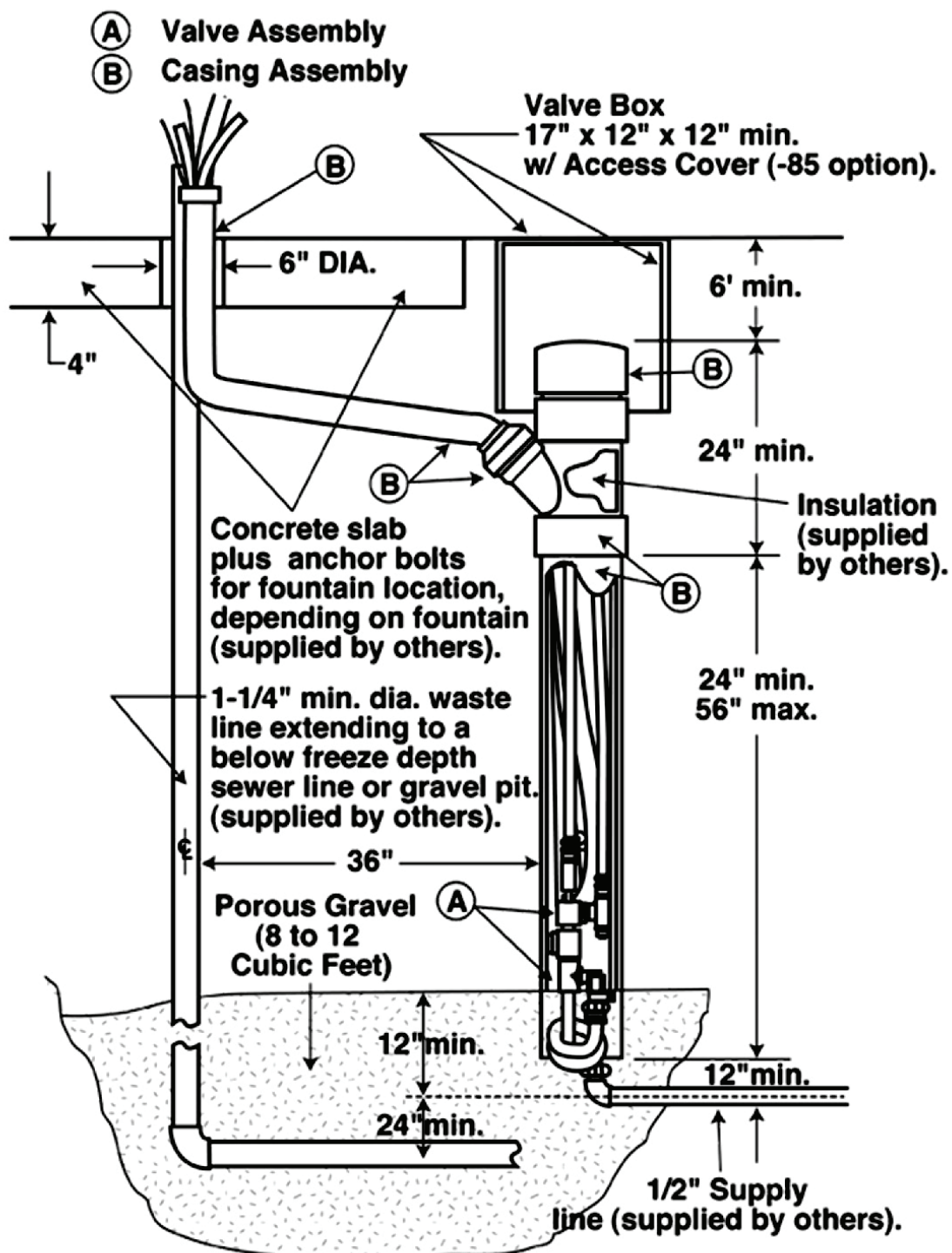
NOTE: FOUR $9/16"$ O.D. MOUNTING BOLTS SPACED ON $13"$ DIA.

5925-90



NOTE: FOUR 9/16" O.D. MOUNTING BOLTS SPACED ON 13" DIA.

5925-FP



5925-FPS

