

INSTALLATION INSTRUCTIONS

T-40-SF Stainless Steel Shelf



Thank you for selecting Stern-Williams. To ensure this product is installed properly, please read these instructions carefully before you begin. *(Certain installations may require professional help.)*

IMPORTANT: When installing Model No. T-40-SF Stainless Steel Shelf, observe local plumbing and building codes.

NOTE: Pictures may not exactly represent purchased product.

PREPARATION

- Refer to “Rough-In” dimensions and determine where the Stern-Williams’ shelf will be installed.
- Mark the hole locations using recommended measurements shown in Figures 1 & 2.

INSTALLATION

1. Hold the shelf level and flush with the wall using the marked hole locations as guides.
2. Use the provided mounting hardware to securely attach the shelf to the wall.

Note: Make use of the 16” center hole locations to secure into a stud for maximum strength. At a minimum, use both sets of 2 holes provided on each vertical support.

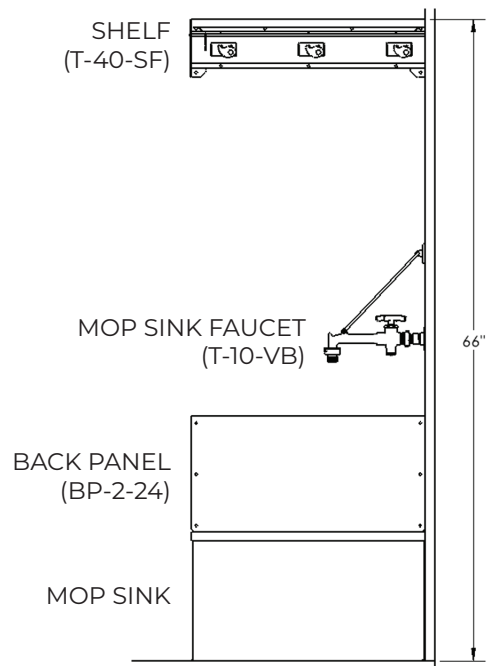


Figure 1

ROUGH-IN-DIMENSIONS

- Recommended to mount top of shelf 5-1/2 feet (66 inches) off of the finished floor to ensure ease of access when using mop hangers.

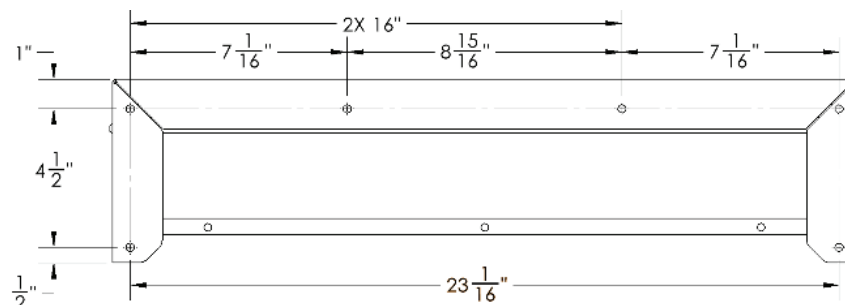


Figure 2