

## MODEL 7335 RECESSED WALL MOUNTED BOTTLE FILLER

Conveniently fill your bottle with our Model 7335. This wall mounted bottle filler is great for fitness centers, healthcare facilities, schools and any environment where a water bottle filler is needed.



### FEATURES

- All steel heavy-duty construction with welded and ground joints for a clean and tidy appearance
- Stainless Steel (-SS) bodies available for harsh coastal environments
- Mounting plate comes standard
- Recessed push button requires less 5 lbs of force and is manufactured from chrome plated brass for reliability and long wear life with a water flow
- Simple flow adjustment without requiring the dismantling of the fountain with a water flow of 0.5 GPM
- All flow paths are lead-free with reinforced stainless-steel tubing that comply with NSF-61 standards
- In-line mesh screen Y strainer
- Replaceable in-line water filter
- ½” Inlet stop valve for simple future maintenance
- 1 ¼” IPS waste pipes included on each fountain
- Standard Woodland Green finish with optional colors available





## ORDERING OPTIONS

---

Part Number

**7335-**

*Optional*

- SS:** Stainless steel body upgrade
- 40:** Commemorative Plaque

## DIMENSIONS

---

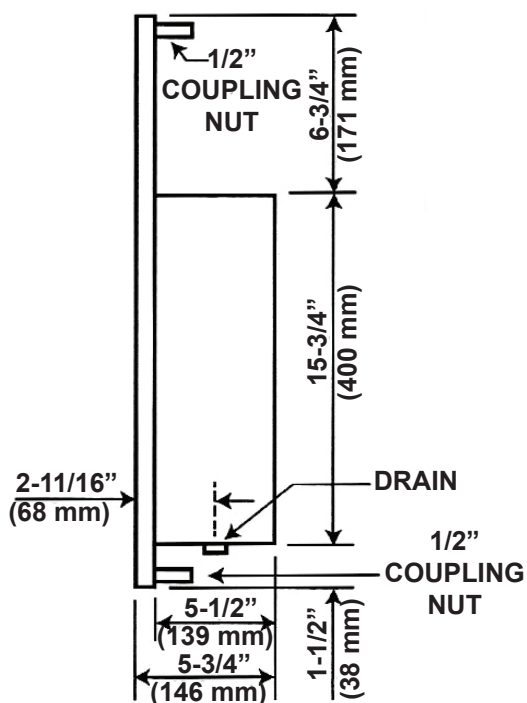
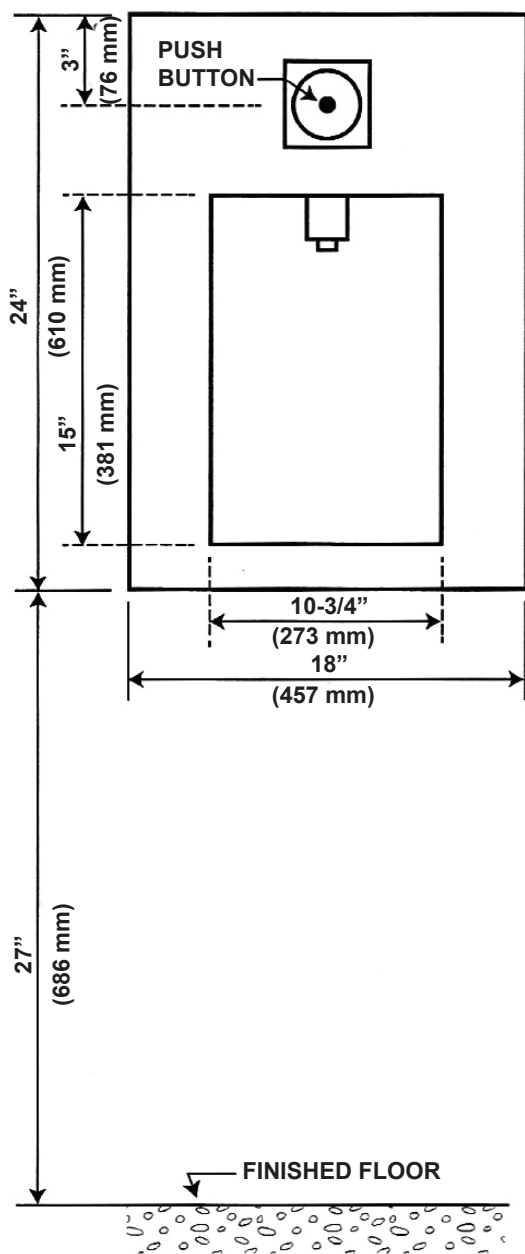
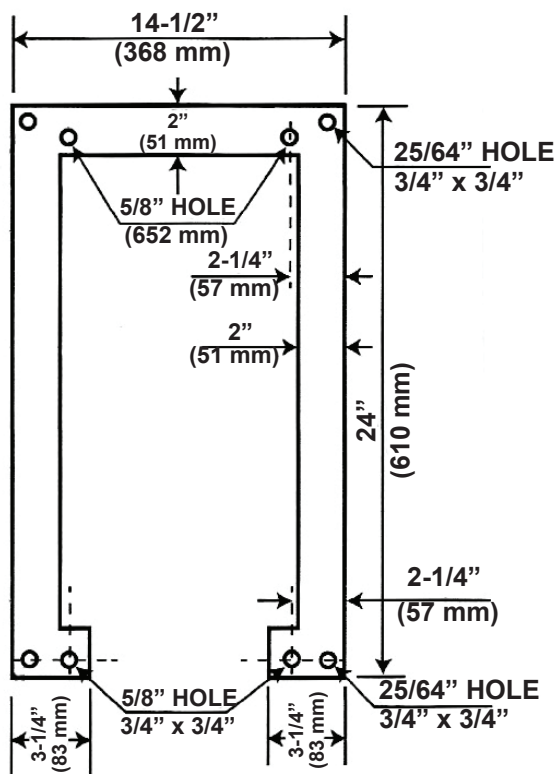
All dimensions subject to manufacturing variance of plus or minus 1/4" (6 mm)

**7335** 24"H x 18"W

## SPEC

---

Furnish and install Stern-Williams Recessed Wall Mounted Bottle Filler (specify model # and options). Bottle filler shall be carbon steel or 304 stainless steel and a powder coated finish. Shall have a water pressure range of 30-80 PSI. Shall provide for simple flow adjustment without requiring dismantling of bottle filler with a water flow of 0.5 GPM. Push buttons shall require less than 5 lbs of force. Bottle filler shall be supplied with a mounting plate. Bottle filler shall be installed per manufacturers recommendations and instructions. Bottle filler flow paths are lead-free with reinforced stainless-steel tubing that comply with NSF-61 standards. Made in the USA.


**TOP / BACK**


MOUNTING PLATE ABOVE INCLUDED