

## MODEL 7700 PEDESTAL BOTTLE FILLER AND DRINKING FOUNTAIN

Fill your bottle with a recessed push-button and flow adjustment. The Model 7700 comes with a drinking fountain, bottle filler and has the option to add on a pet fountain. Model 7700 is in compliance with ADA code.



### FEATURES

- All steel heavy-duty construction with welded and ground joints for a clean and tidy appearance.
- Stainless Steel (-SS) bodies available for harsh coastal environments.
- Vandal resistant access plates for security and simple future maintenance.
- Vandal resistant fabricated bubbler guard unique to Stern Williams Fountains assures years of service.
- Water pressure range of 30-80 PSI.
- Anchor installed mounting plate comes standard, ground installed mounting plate (SMP-10) available as an option for installation assistance.
- Recessed push button is manufactured from chrome plated brass for reliability and long wear life with a water flow of 0.5 GPM.
- Simple flow adjustment without requiring the dismantling of the fountain.
- Fountain bowl is heavy duty 18 gauge stainless steel with brushed finish and vandal-resistant chrome plated brass strainer. A drain tool is included with each fountain.
- All flow paths are lead-free with reinforced stainless-steel tubing that comply with NSF-61 standards.
- In-line mesh screen Y strainer.
- ½" Inlet stop valve for simple future maintenance.
- 1 ¼" IPS waste pipes included on each fountain.
- Standard Woodland Green finish with optional colors available..



(Shown above) Model 7700



## ORDERING OPTIONS

Part Number

**7700-**

**Optional**

- 31-RCP:** Self Closing Plain End
- 32-RCP:** Compression type hose end and VB
- 32LK-RCP:** Compression type hose end VB loose key
- 32-SC:** Self-closing, hose end and vacuum breaker
- 32-VP:** Vandalproof Compression Valve
- 35:** Recessed compression-type, hose end and VB
- 35-VP:** Above with key-operated cover
- 36:** Push Button Jug Filler
- 37:** Foot spray
- 38:** Shutdown Drain Valve
- 40:** Commemorative plaque
- 82:** Hand Wash Station
- 84:** Water filter
- 85:** Ground valve box w/ lid
- 86:** Attached metal valve box
- 87:** Surface Valve Box w/Cover Plate
- 90:** Pet Fountain
- 95:** Sand trap
- 96:** Sand strainer plate
- 100:** Solar Light
- RV:** Reverse Heights
- SS:** Stainless steel upgrade

Part Number

**7700-FP-**

**Optional**

- 34:** Frostproof jug filler
- 38:** Shutdown Drain Valve
- 40:** Commemorative plaque
- 85:** Ground valve box w/ lid
- 86:** Attached metal valve box
- 87:** Surface Valve Box w/Cover Plate
- 90-FP:** Pet Fountain
- 95:** Sand trap
- 96:** Sand strainer plate
- RV:** Reverse Heights
- SS:** Stainless steel upgrade

## DIMENSIONS

All dimensions subject to manufacturing variance of plus or minus 1/4" (6 mm)

**7700** 60"H x 10-3/4"W x 30-3/4"L / Surface Mount

**7700-90** 60"H x 23-1/4"W x 30-3/4"L / Surface Mount with Pet Fountain

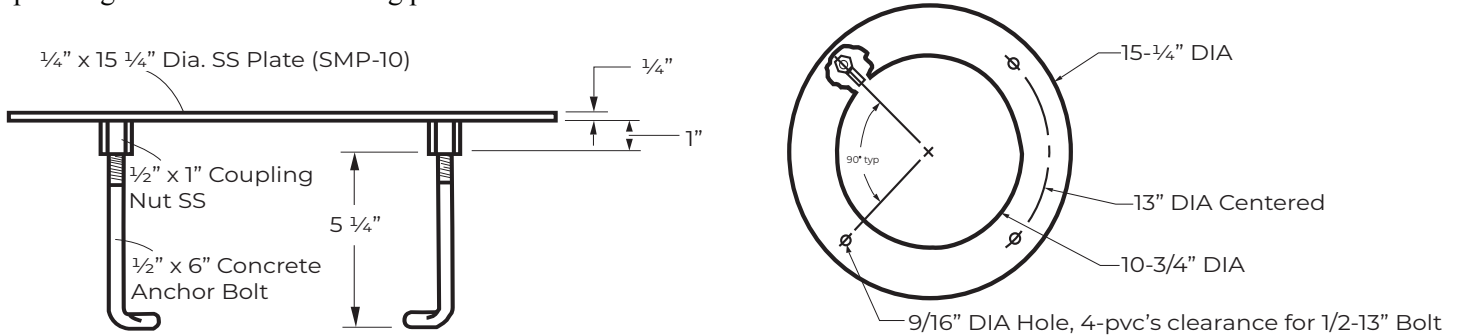
**7700-FP** 60"H x 23-1/4"W x 30-3/4"L / Frost Proof

## SPEC

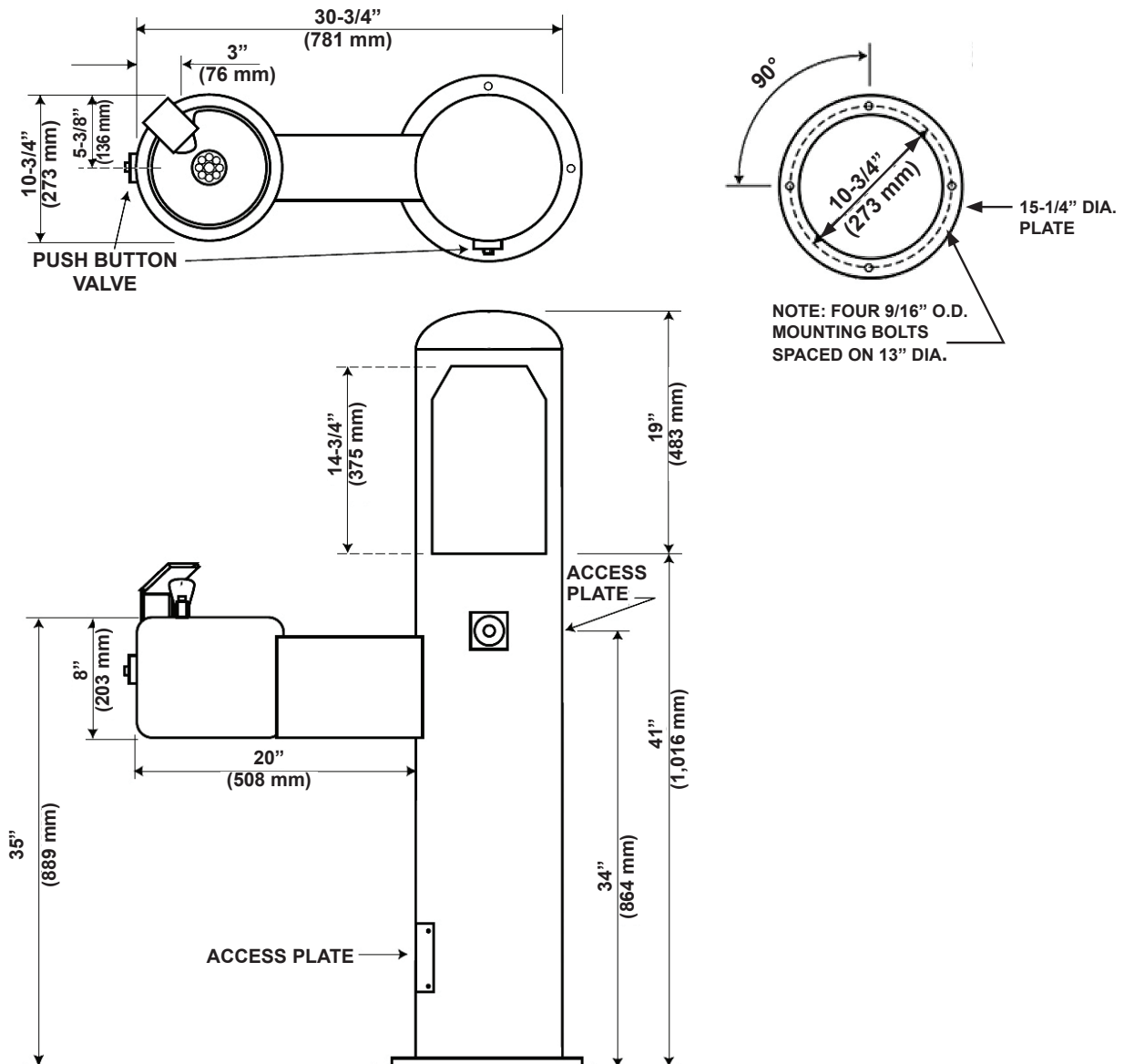
Furnish and install Stern-Williams Pedestal Bottle Filler and Drinking Fountain (specify model # and options). Drinking fountain and bottle filler shall be carbon steel or 304 stainless steel and a powder coated finish. Fountain shall have chrome plated brass bubblers with vandal resistant bubbler guard. Water pressure range shall be 30-80 PSI. Fountains shall provide for simple flow adjustment without requiring dismantling of fountain with a water flow of 0.5 GPM. Welded anchor base shall be 1/2" thick. Joints must be welded and ground smooth. Push buttons shall require less than 5 lbs of force in compliance with ADA code. Fountains shall be installed per manufacturers recommendations and instructions. Drinking fountain flow paths are lead-free with reinforced stainless-steel tubing that comply with NSF-61 standards. Made in the USA.

## SMP-10

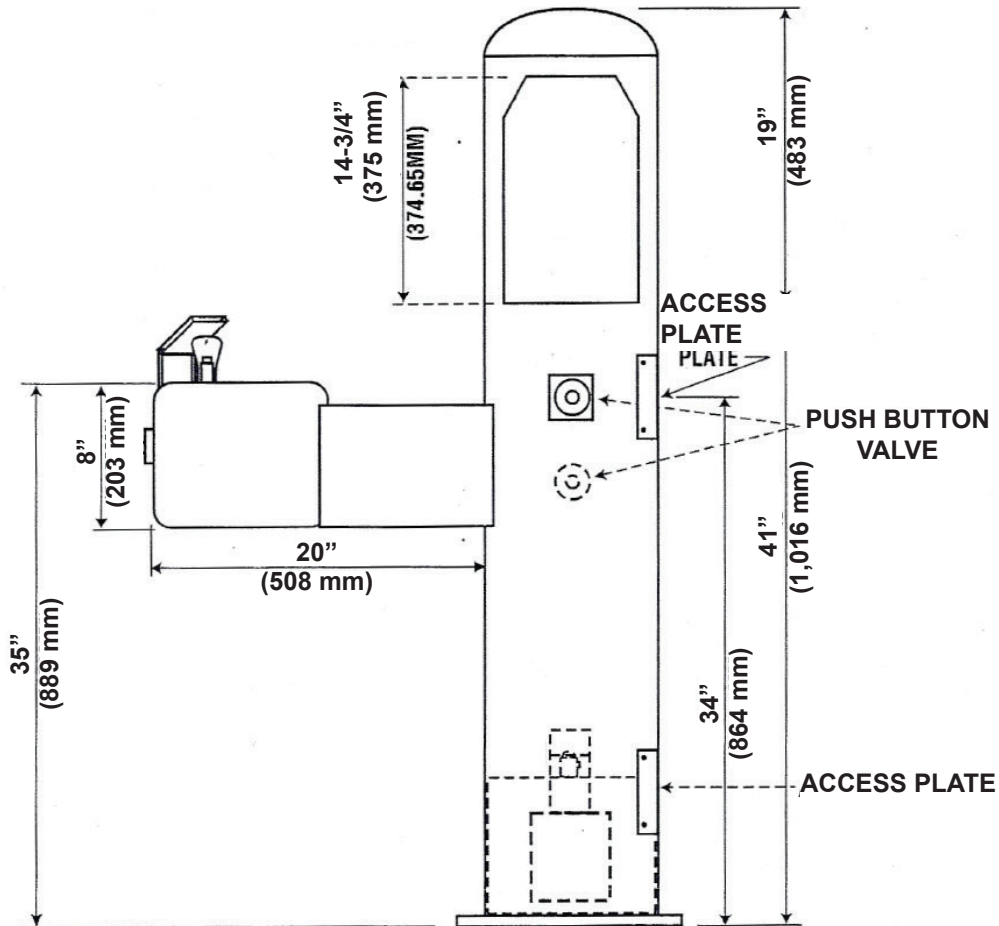
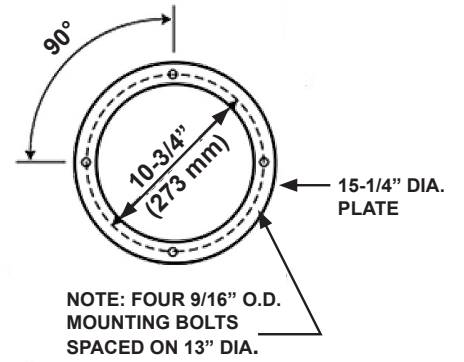
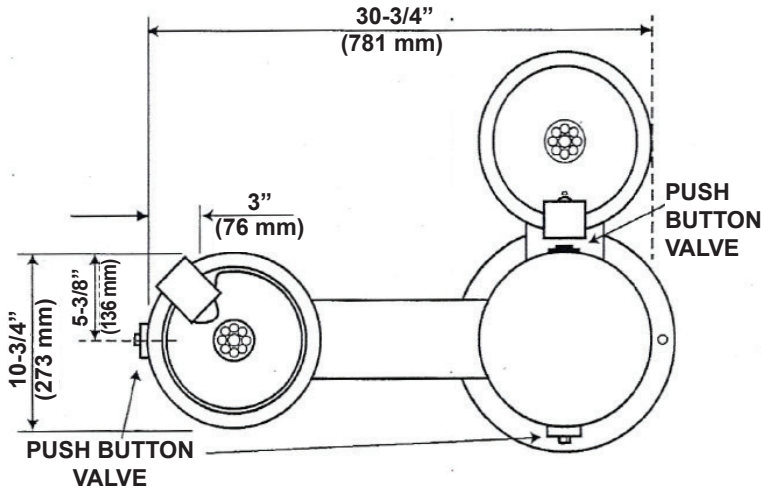
Optional ground installed mounting plates to assist with installation



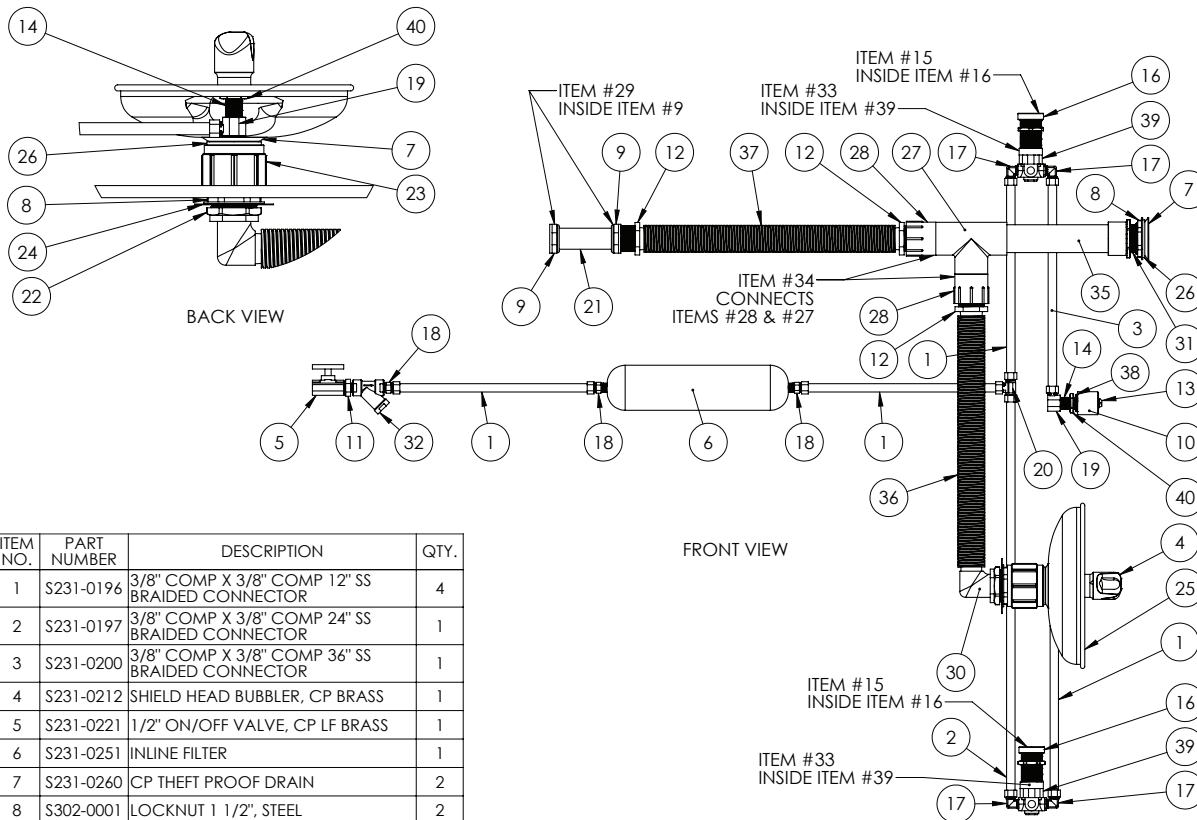
## 7700



**7700-90**



## 7700 PLUMBING ASSEMBLY



ITEM NO.	PART NUMBER	DESCRIPTION	QTY.
1	S231-0196	3/8" COMP X 3/8" COMP 12" SS BRAIDED CONNECTOR	4
2	S231-0197	3/8" COMP X 3/8" COMP 24" SS BRAIDED CONNECTOR	1
3	S231-0200	3/8" COMP X 3/8" COMP 36" SS BRAIDED CONNECTOR	1
4	S231-0212	SHIELD HEAD BUBBLER, CP BRASS	1
5	S231-0221	1/2" ON/OFF VALVE, CP LF BRASS	1
6	S231-0251	INLINE FILTER	1
7	S231-0260	CP THEFT PROOF DRAIN	2
8	S302-0001	LOCKNUT 1 1/2", STEEL	2
9	S302-0003	SC SLIP JOINT NUT	2
10	S302-0004	BOTTLE FILLER SPOUT, ALUMINUM, 1-1/4"	1
11	S310-0001	1/2" MPT X 1/4" MPT LF ADAPTER, BRASS	1
12	S310-0002	BARB HOSE BIBB ADAPTER, PVC	3
13	S310-0006	ORIFICE ASSEMBLY W/ SCREEN	1
14	S310-0012	NIPPLE, 3/8" X 2" BRASS	2
15	S313-0011	SET SCREW, 18-8 SS, 5/16" - 18 X 1/2"	2
16	S319-0001	1-1/4" CP PUSH BUTTON W/ BRASS NUT 1-1/4"	2
17	S320-0010	ELBOW, LF BRASS, 90 ELBOW 1/4" NPT X 9/16"	4
18	S320-0012	1/4" MIP X 3/8" COMP LF ADAPTER, BRASS	3
19	S320-0015	3/8" FPT X 3/8" COMP LF 90 ELBOW	2
20	S320-0016	TEE, BRASS, 3/8" COMP	1
21	S320-0021	STRAIGHT TAILPIECE	1
22	S321-0017	1-1/2" MIPS X 1-1/4" FIPS GALVANIZED REDUCER	1
23	S321-0024	1 1/2" SCH 80 THREADED COUPLING MODIFIED	1
24	S321-0253	STEEL WASHER	1
25	S323-0001	SS DR FOUNTAIN BOWL	1
26	S336-0001	GASKET FOR BOWLS (1-1/2", W708), EPDM	2
27	S337-0002	1-1/4" SANITARY TEE, PVC	1
28	S337-0003	ADAPTER, PVC, 1-1/4" FIPS X 1-1/4" SLIP	2
29	S337-0004	WASHER, EPDM, FOR SLIP NUT	2

ITEM NO.	PART NUMBER	DESCRIPTION	QTY.
30	S337-0005	1 1/4" MIPS x 1 1/4" HOSE BARB ELBOW PVC	1
31	S337-0024	1-1/4" SLIP X 1-1/4" MPT ADAPTER PVC	1
32	S337-0041	Y STRAINER 1/4"	1
33	S337-0053	WASHER, EPDM, 1-1/4" OD X 7/8" ID	2
34	S337-0055	1-1/4" OD PIPE, PVC, 2" LONG	2
35	S337-0059	1-1/4" OD PIPE, PVC, 5" LONG	1
36	S337-1059	FLEX HOSE, PVC, 15" LONG	1
37	S337-1062	FLEX HOSE, PVC, 22" LONG	1
38	S346-0001	5/8" HOSE WASHER (HW-1)	1
39	S399-0002	1/4" FLUID FLOW REGULATOR	2
40	S920-0001	LOCKNUT, 3/8", BRASS	2