



8000 Series HANDWASHING STATION

Stern-Williams' first handwashing station is available as a wall-mounted fixture or an add-on to our drinking fountains or pedestals. Fabricated from steel and finished with a long-lasting powder coat, the Model 8100 is built to stand the test of time and endure weather.



FEATURES

- All steel heavy-duty construction with welded and ground joints for a clean and tidy appearance.
- Stainless Steel (-SS) bodies available for harsh coastal environments.
- Timed faucet button with automatic shut-off.
- Water pressure range of 30-80 PSI.
- Flow rate is 2.2 GPM with adjustable metering cycle of 10-30 seconds.
- Manual faucet won't malfunction from sun, overheating, or time.
- Extra deep splash guard and bowl.
- Wall mounted fountain available in visible and concealed installation options.
- Mounting bracket sold separately.
- Single bottom plate for simple future maintenance.
- All flow paths are lead-free with reinforced stainless-steel tubing that comply with NSF-61 standards.
- Standard Woodland Green Finish with Optional colors.



13920 Cypress Lane Grandview, MO 64030 | 800-323-2359 | sternwilliams.com



ORDERING OPTIONS

Part Number

8100

Pedestal mount handwash station



Part Number

8220

Wall mount fountain and handwash station with four bolt front mount

Part Number

8200

Wall mount handwash station with concealed mount

*Recommended DMF-610 mounting bracket sold separately

Part Number

8500

Pedestal mount fountain with handwash station



Part Number

8205

Wall mount handwash station with four-bolt front mount

Part Number

82

Additional feature of Stern-Williams drinking fountain and pedestal models

*see specific product spec sheets for ordering

Part Number

8215

Wall mount fountain and handwash station with concealed mount

*Recommended DMF-610 mounting bracket sold separately

DIMENSIONS

8100 38 1/4"H x 31"L x 10 3/4" Dia. Body/Surface Mount

8200 6"H x 20"L x 10 3/4" W

8205 6"H x 20"L x 10 3/4" W

8215 15"H x 20"L x 35"W

8220 15"H x 20"L x 35"W

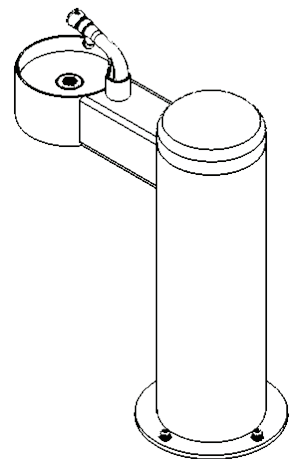
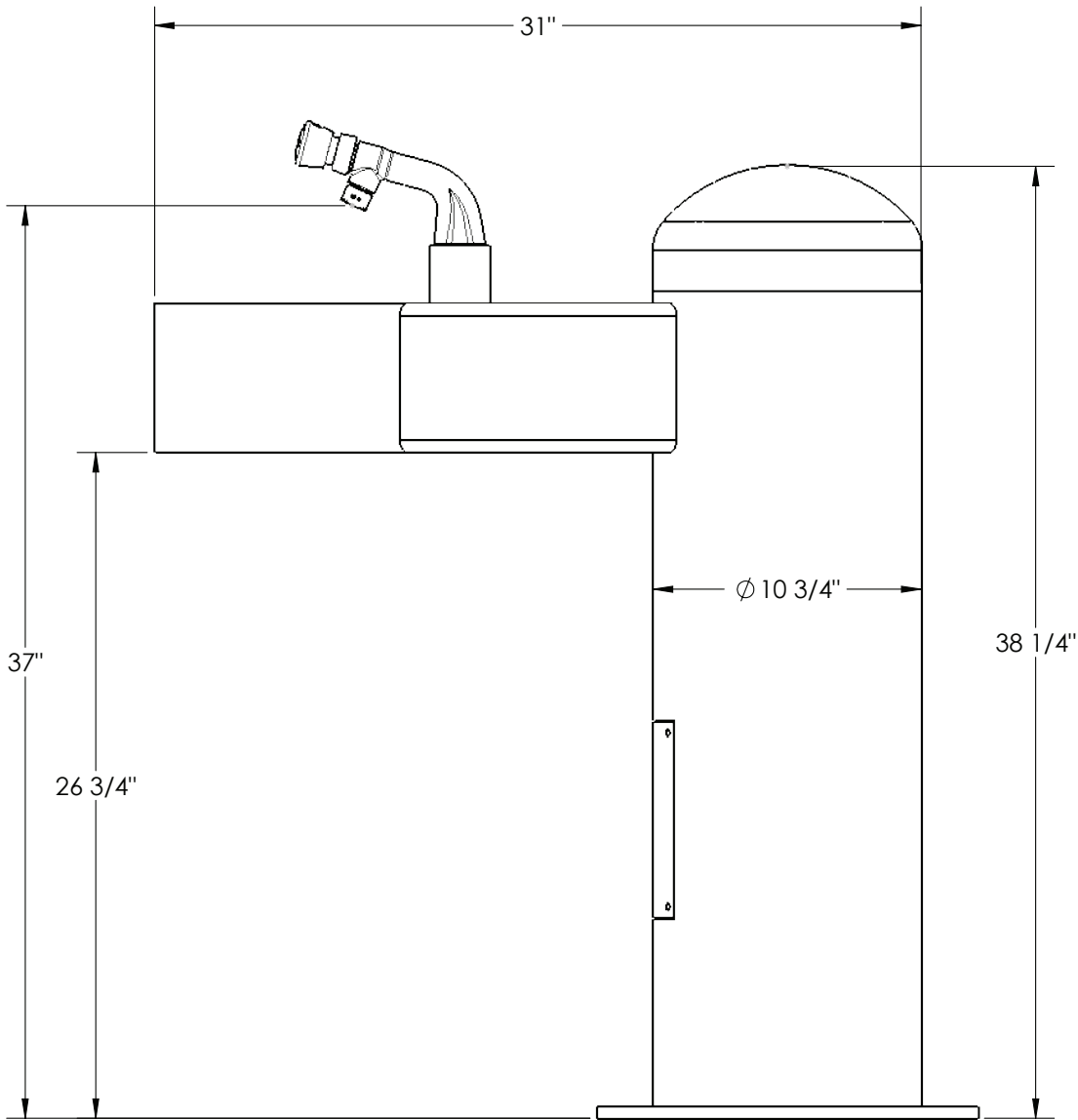
8500 40"H x 30 3/4"L x 10 3/4" Dia. Body/Surface Mount

82 6"H x 20"L x 10 3/4" W



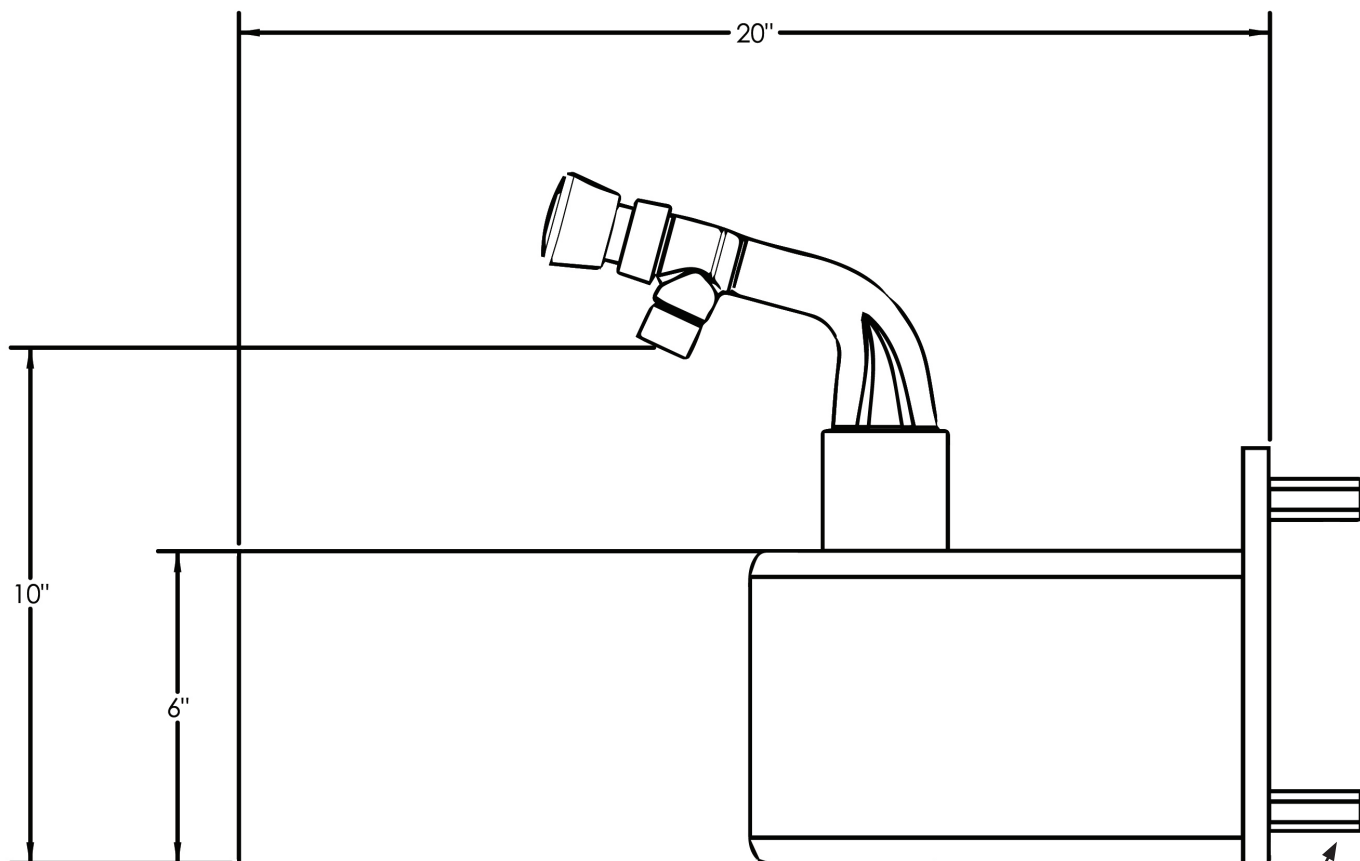
ADA Compliant

8100

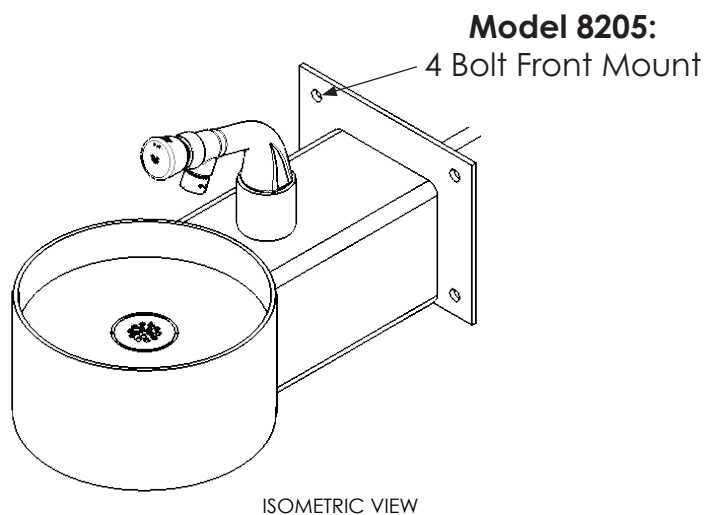


ISOMETRIC VIEW

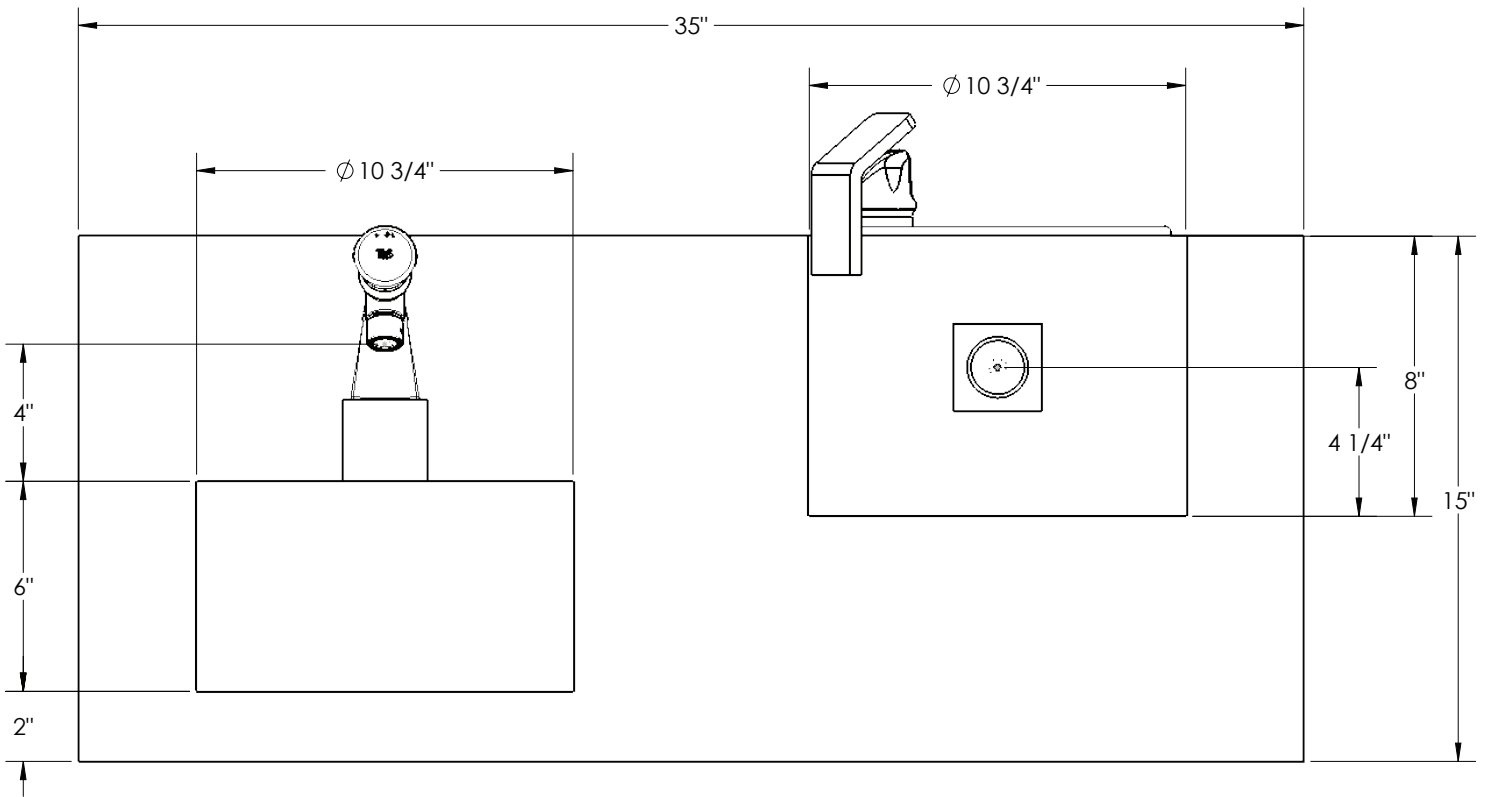
8200/8205



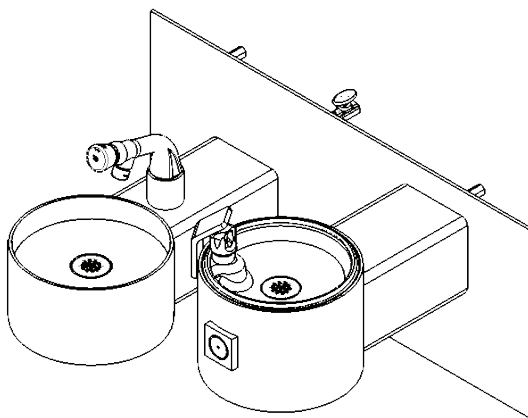
Model 8200:
Concealed Mount



8220/8215

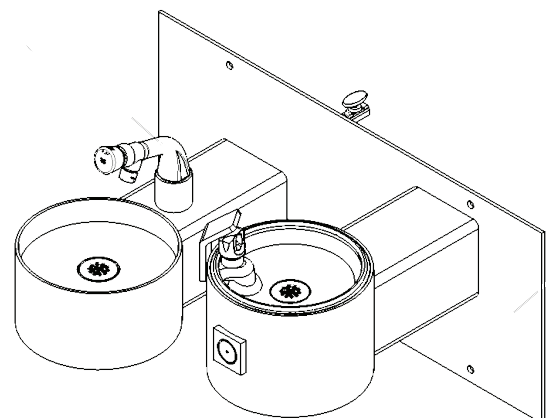


Model 8215:
Concealed Mount



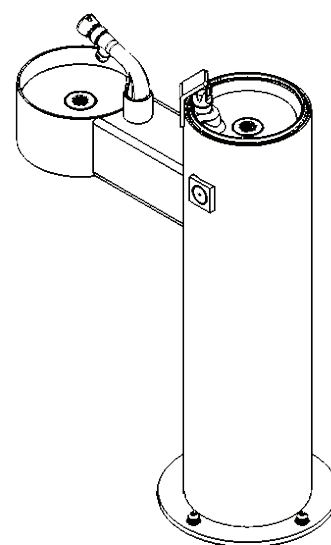
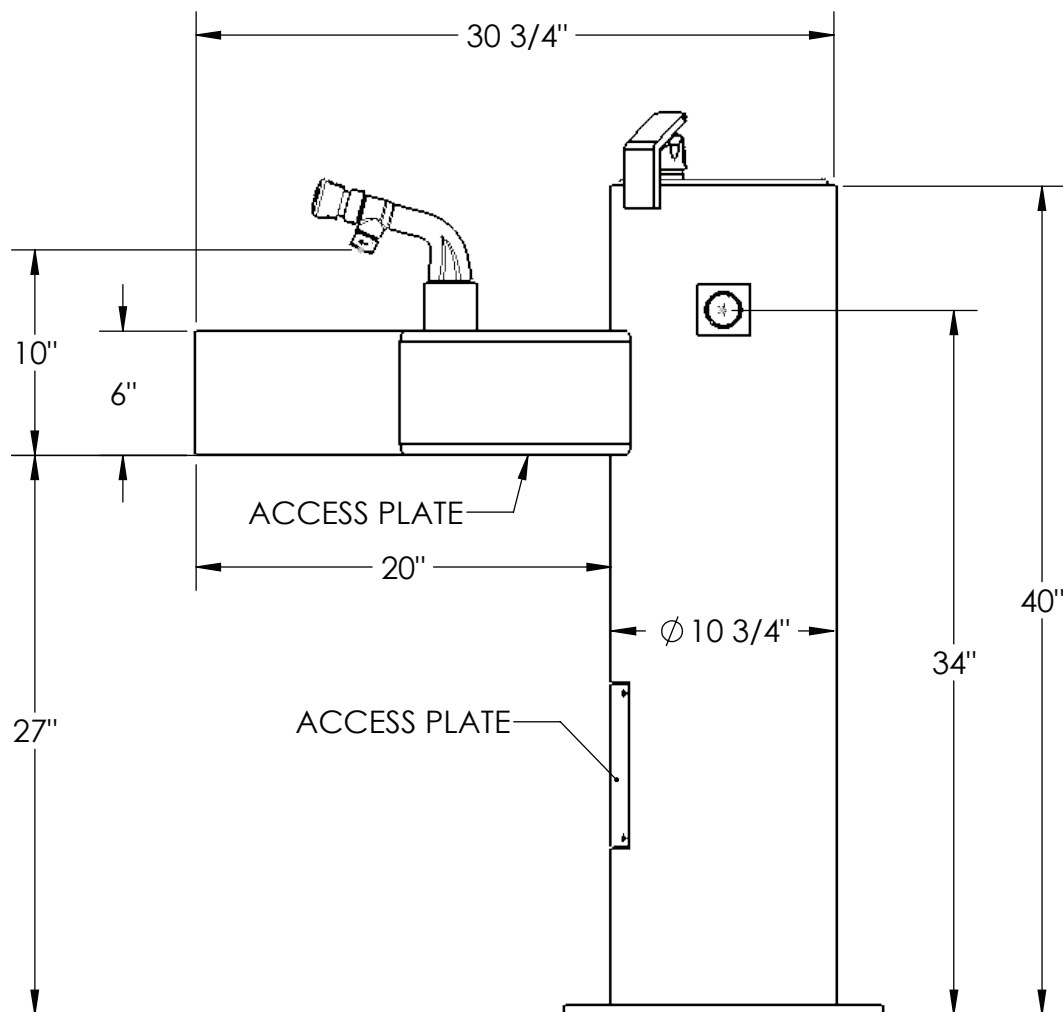
ISOMETRIC VIEW

Model 8220:
4 Bolt Front Mount

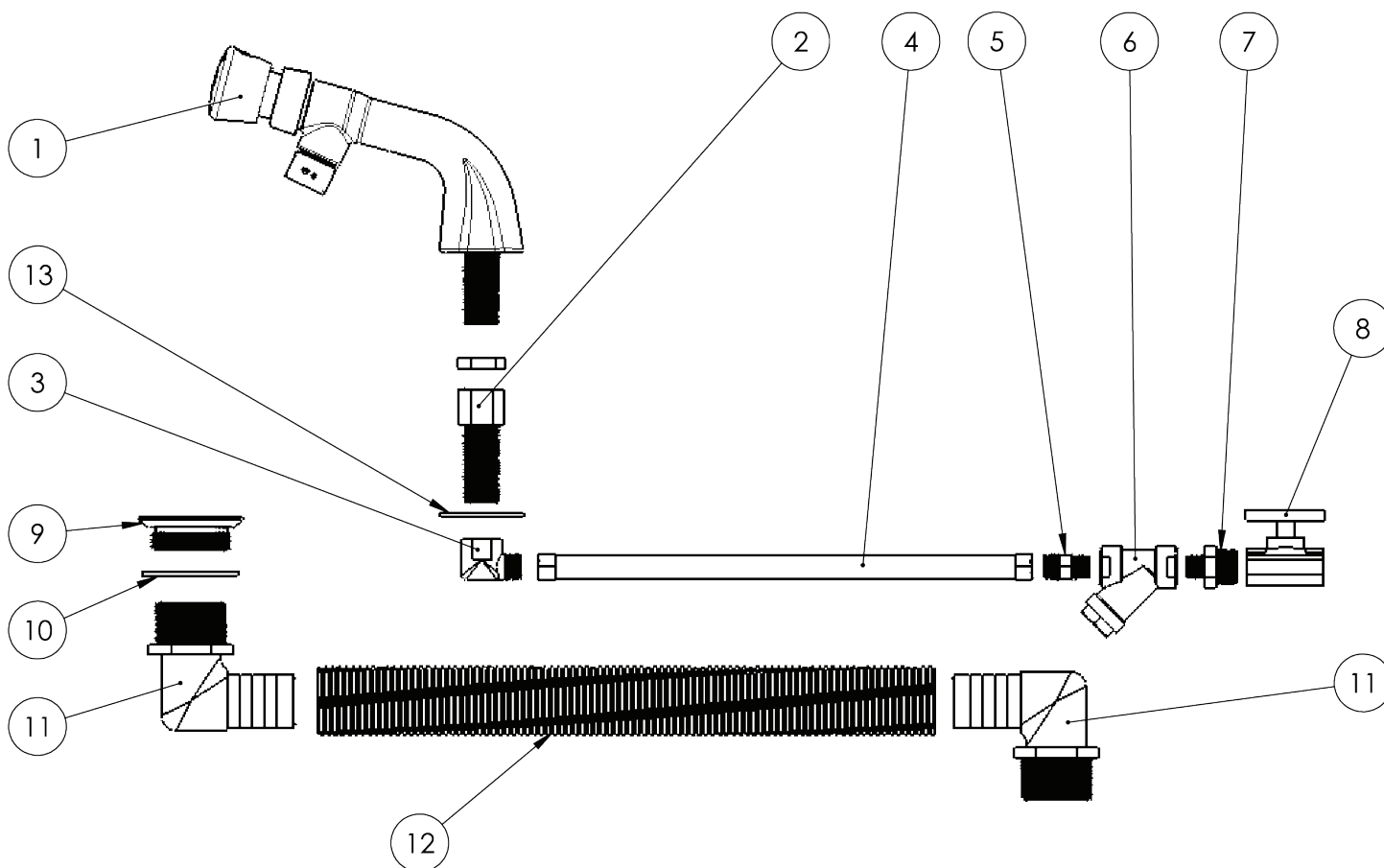


ISOMETRIC VIEW

8500



ISOMETRIC VIEW

8200 PARTS


ID	Part Number	Description	ID	Part Number	Description
1	S399-0006	Faucet assembly	9	S231-0260	CP theft-proof drain
2	S310-0011	Hex adapter	10	S336-0001	Bowl gasket
3	S300-0001	Brass elbow	11	S337-0005	Hose barb elbow
4	S231-0196	Braided connector	12	S337-0025	Flex hose
5	S310-0012	Brass adapter	13	S320-0026	Brass washer
6	S337-0041	Y strainer			
7	S310-0001	Brass adapter			
8	S231-0221	Stop slot lockshield			