

## SBC-1500, SBC-1502, SBC-1525, SBC-1550, SBC-1400, SBC-1402, SBC-1425, SBC-1450

### CORNARO MOP SINK

The CORNARO mop sinks are a trend-setting corner model that occupy less space than square or rectangular basins. All the features found in our Servicepor line are found in this model. The one-piece construction insures water tightness, and its modern style occupies less floor space.



(Shown above) SBC-1500

### FEATURES

- Terrazzo is composed of pearl gray marble chips cast in white Portland cement which produces a compressive strength of 3000 PSI seven days after casting; then ground smooth, grouted and sealed to resist stains and moisture.
- The Cornaro series shoulders have 12" high outside measurements, 9-3/4" high inside measurements, and are 1-1/4" wide.
- The stainless steel cap is of one-piece 20-gauge stainless steel cast integral on all sides. The CORNARO with the stainless steel cap is SBC-1500 series, without the stainless steel cap is SBC-1400 series.
- Stern-Williams offers optional integral tiling flanges that extend 1" above the shoulder, models identified as SBC-1502, or SBC-1402.
- Drain shall be stainless steel cast integral with removable stainless steel strainer, and sized for a gasket (QDC3XH000 included for 3" XHCI, plastic or steel pipe) or a caulked lead connection not less than 1" deep to a 3" pipe.
- Custom configurations available - Drain positions, overall sizes, integral stainless steel caps or tiling flanges options. Call for more information and pricing.

### OPTIONAL COMPONENTS

- S223-0003:** Lint Basket
- BP:** Back Panels - 24", 24"x36", 28", 30", 32", 26"
- V-70:** Vinyl Bumper Guards
- A-20:** Aluminum Bumper Guards
- T-10-VB:** Mop Sink Faucet - Rough Chrome
- T-15-VB:** Mop Sink Faucet - Polished Chrome
- T-35:** 30" Hose and Wall Bracket
- T-40:** Stainless Steel Mop Hanger
- T-40-SF:** Stainless Steel Shelf
- QDC3SN000:** Quick Connect Gasket for 3" SV and NHCI Pipe
- QDC32000:** Quick Connect Gasket for 2" PVC and Iron Pipe

Pricing for optional components can be found at [sternwilliams.com/pricing/](http://sternwilliams.com/pricing/)

## ORDERING OPTIONS

Part Number

### SBC-

**Size (with stainless steel caps)**

- 1500:** 24x24x12"
- 1502:** 24x24x12" (with two tiling flanges)
- 1525:** 32x32x12"
- 1550:** 36x36x12"

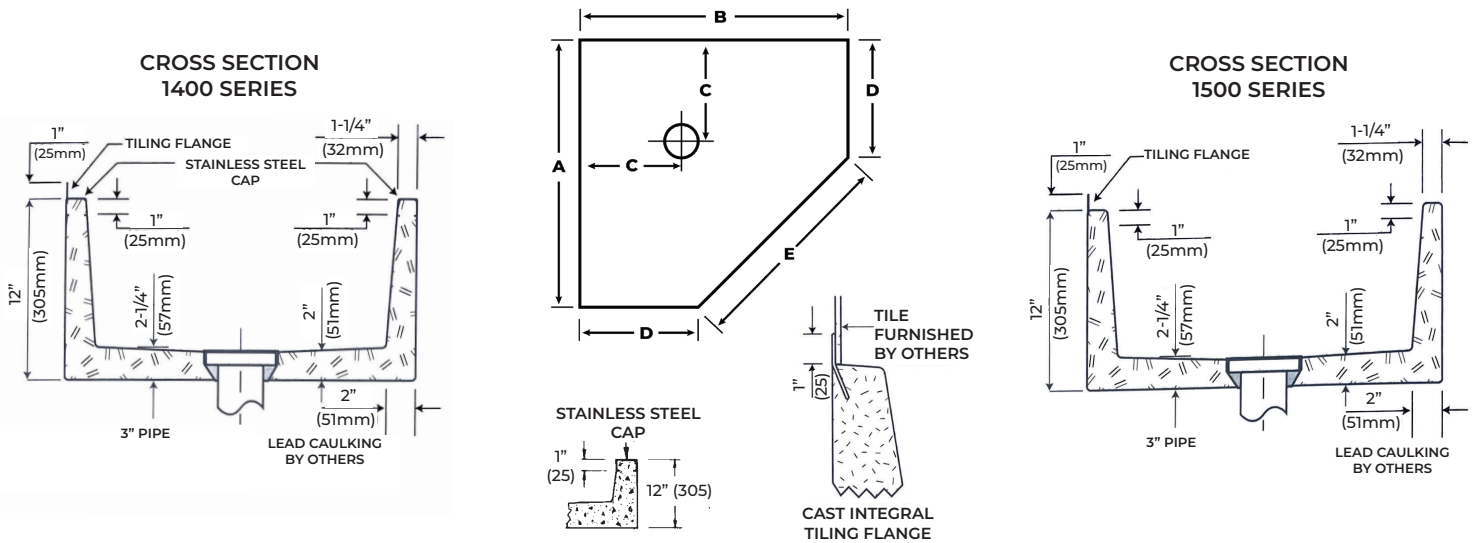
**Size (without stainless steel caps)**

- 1400:** 24x24x12"
- 1402:** 24x24x12" (with two tiling flanges)
- 1425:** 32x32x12"
- 1450:** 36x36x12"

## DIMENSIONS

All dimensions subject to manufacturing variance of plus or minus 1/4" (6 mm)

MODEL	SIZE	A	B	C	D	E	MODEL	SIZE	A	B	C	D	E
SBC-1400	24x24x12	24	24	12	15	12 ½	SBC-1500	24x24x12	24	24	12	15	12 ½
SBC-1402	24x24x12	24	24	12	15	12 ½	SBC-1502	24x24x12	24	24	12	15	12 ½
SBC-1425	32x32x12	32	32	12	23 ¼	12 ¼	SBC-1525	32x32x12	32	32	12	23 ¼	12 ¼
SBC-1450	36x36x12	36	36	12	26	13 ½	SBC-1550	36x36x12	36	36	12	26	13 ½



## SPECS

Furnish and corner install Cornaro mop service basin (mop sink) manufactured by Stern-Williams using white Portland cement. The terrazzo material shall have a compressive strength not less than 3000 PSI after full cure. All exposed terrazzo surfaces shall be ground smooth, grouted, and factory sealed to resist stains and moisture. Mop service basins include a stainless drain body that is cast integral to the basin with a stainless steel strainer. Drain shall have inside connection to a 3" pipe sealed with factory provided gasket. Shall be made in the USA.

Stern-Williams offers optional integral casted stainless steel caps, tiling flanges or lint basket.