



## MODEL 6475 & 6495 COMFORT SPRAY STATION & DRINKING FOUNTAIN

This Comfort Spray Station was designed for maximum cool down after rigorous outdoor activity. Surface type with mounting plate welded to pedestal. Metering valve is standard. Both models are ADA Compliant. Model 6475 and 6495 have 4 vandal resistant mist heads

### FEATURES

- All steel heavy-duty construction with welded and ground joints for a clean and tidy appearance.
- All exposed parts are recessed in welded steel plates.
- Stainless Steel (-SS) bodies available for harsh coastal environments.
- Vandal resistant access plates for security and simple future maintenance.
- Vandal resistant bubbler guard unique to Stern-Williams Fountains assures years of service.
- Anchor installed mounting plate comes standard, optional ground installed mounting plate (SMP-6) available as an option for installation assistance.
- Recessed push button requires less than 5 lbs of force and is manufactured from chrome plated brass for reliability and long wear life with a water flow of 0.5 GPM.
- Stainless steel supply fittings connected to reinforced tubing.
- Water pressure range of 30-80 PSI.
- Timer controlled mist heads are made from heavy duty materials.
- Simple flow adjustment without dismantling of the shower with a water flow of 2.5 GPM, water flow of drinking fountain is 0.5 GPM.
- All flow paths are lead-free with reinforced stainless-steel tubing that comply with NSF-61 standards.
- In-line mesh screen Y strainer.
- ½" inlet stop valve for simple future maintenance.
- 1 ¼" IPS waste pipes included on each fountain.
- Standard Sky Blue finish with optional colors available.
- Custom color orders are non-cancellable and non-returnable.



(Shown above) Model 6475



## ORDERING OPTIONS

Part Number

**6475-**



**Optional**

- SS:** Stainless Steel Body Upgrade
- 31:** Chrome Plated Jug Filler
- 32:** RCP Hose Bibb with VB
- 32-LK:** RCP Hose Bibb with VB and Key
- 32-SC:** Self Closing Hose Bibb with VB
- 32-VP:** Recessed Vandal Proof Valve
- 35:** Recessed Compression Type
- 35-VP:** Recessed Hose Bibb with Lock
- 38:** Shutdown/Drain Valve
- 40:** Commemorative Plaque
- 85:** Valve Box
- 87:** Metal Valve Box
- 95:** Sand Trap
- 96:** Sand Strainer Plate
- SMP-6:** Surface Mounting Plate

**6495-**



**Optional**

- SS:** Stainless Steel Body Upgrade
- 31:** Chrome Plated Jug Filler
- 32:** RCP Hose Bibb with VB
- 32-LK:** RCP Hose Bibb with VB and Key
- 32-SC:** Self Closing Hose Bibb with VB
- 32-VP:** Recessed Vandal Proof Valve
- 35:** Recessed Compression Type
- 35-VP:** Recessed Hose Bibb with Lock
- 38:** Shutdown/Drain Valve
- 40:** Commemorative Plaque
- 85:** Valve Box
- 87:** Metal Valve Box
- 95:** Sand Trap
- 96:** Sand Strainer Plate
- RV:** Reverse Heights
- SMP-6:** Surface Mounting Plate

## DIMENSIONS

All dimensions subject to manufacturing variance of plus or minus 1/4" (6 mm)

**6475** 84"H x 26-5/8"W x 6-5/8"Dia. - Comfort Spray Station w/ Drinking Fountain / Surface Mount

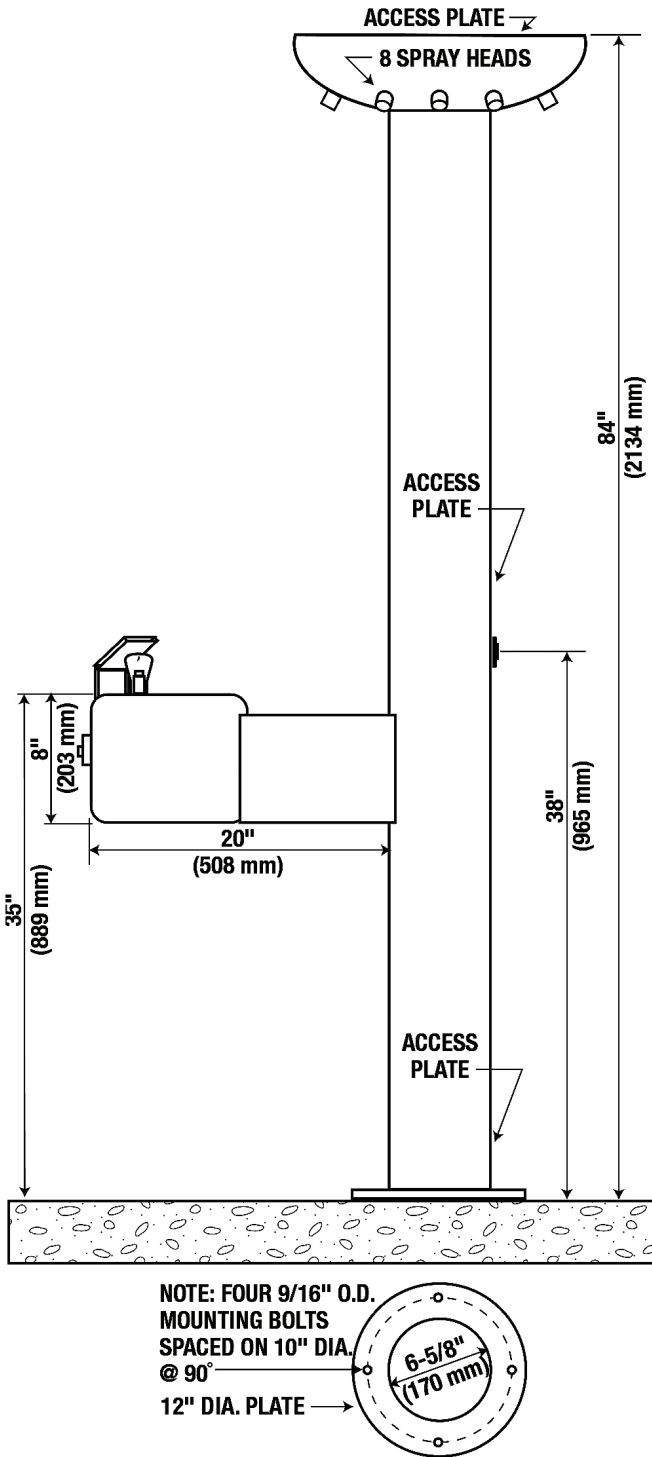
**6575** 98"H x 26-5/8"W x 6-5/8"Dia. - Comfort Spray Station w/ Drinking Fountain/ In Ground Bury

**6495** 84"H x 26-5/8"W x 6-5/8"Dia. - Comfort Spray Station w/ Dual Drinking Fountain / Surface Mount

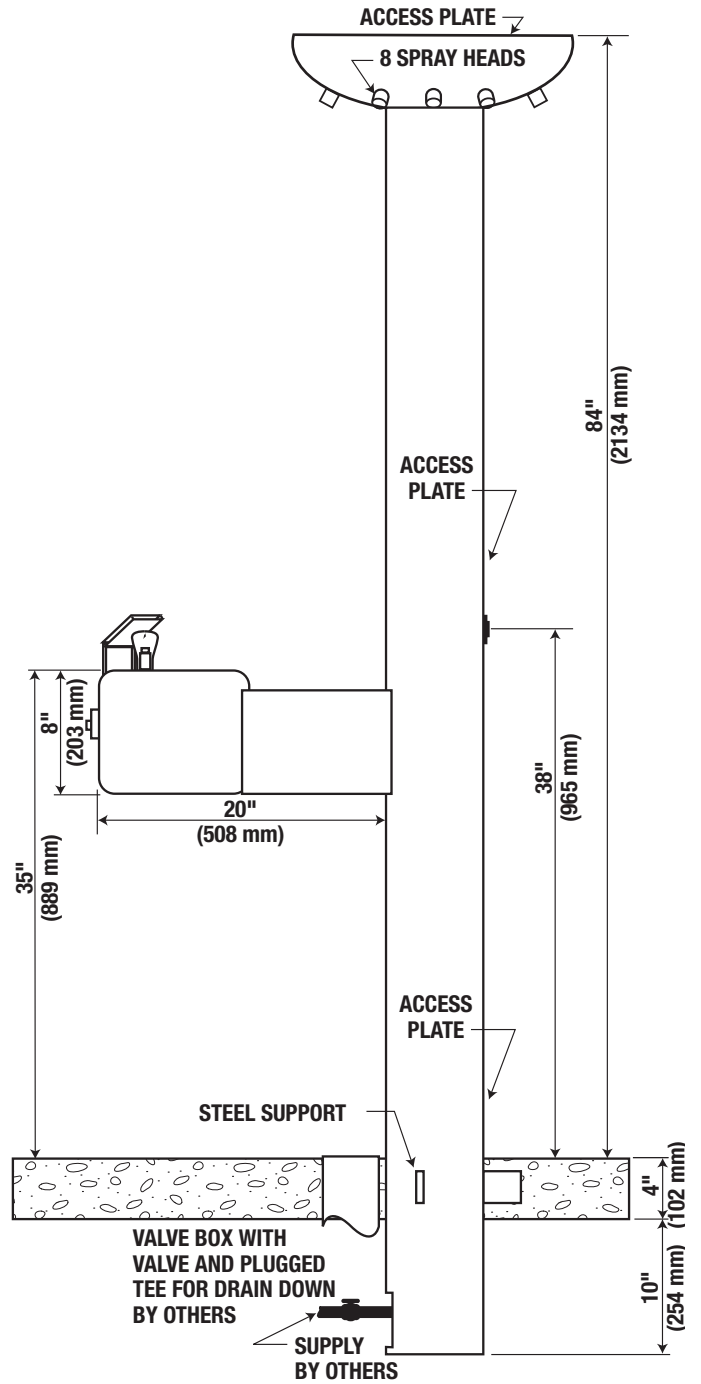
## SPEC

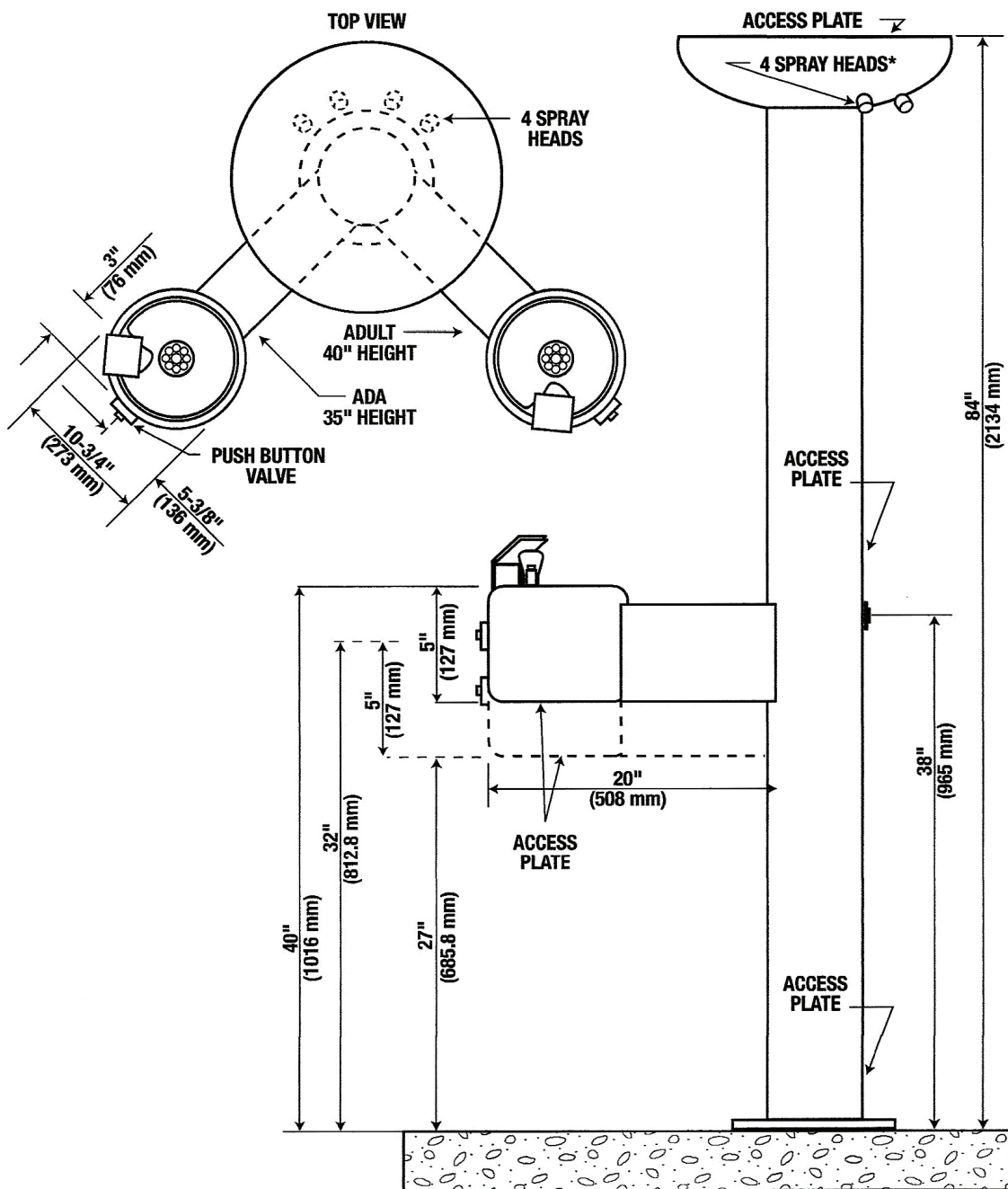
Furnish and install the Stern-Williams Outdoor Mister and Drinking Fountain (specify model color). Shower towers shall be carbon steel or 304 stainless steel and a powder coated finish. Fountain shall have chrome plated brass bubbler with vandal resistant bubbler guard. Shower tower and drinking fountain shall provide simple flow adjustment without requiring dismantling of shower with a water pressure range of 30-80 PSI. Shower heads shall include adjustable spray patterns and adjustable timing of 0-2 minutes. Shower tower shall have a water flow of 2.5 GPM and drinking fountain shall be 0.5 GPM. Welded anchor base shall be 1/2" thick. Push buttons shall require less than 5 lbs of force. Shower towers shall be installed per manufacturers recommendations and instructions. Shower tower flow paths are lead-free with reinforced stainless-steel tubing that comply with NSF-61 standards. Made in the USA.

**6475**



**6575**





NOTE: FOUR 9/16" O.D. MOUNTING HOLES SPACED ON 10" DIA. @ 90°

12" DIA. PLATE

