

## MODEL 7000 & 7100 PEDESTAL JUG FILLERS AND HOSE BIBBS

Access water wherever you need it with Stern-Williams' collection of jug fillers, hose bibbs, and foot sprays on mid-height pedestals. The deep, rich Sky Blue color and scratch resistant finish make these an excellent choice for resorts, playgrounds and recreational areas.

Model 7000 is surface mounted fountains with mounting plate welded to pedestal. Model 7000-MWL is also available as a wall-mounted model.

Model 7100 is a 14" in-grounded bury with welded supports to be poured in 4" concrete slab.

### FEATURES

- All steel heavy-duty construction with welded and ground joints for a clean and tidy appearance
- Stainless Steel (-SS) bodies available for harsh coastal environments
- Vandal resistant access plates for security and simple future maintenance
- Self closing, chrome plated lever handle or hose bibb with a flow rate of 3.0-3.5 GPM
- Anchor installed mounting plate comes standard, ground installed mounting plate (SMP-6) available as an option for installation assistance
- All flow paths are lead-free with reinforced stainless-steel tubing that comply with NSF-61 standards
- In-line mesh screen Y strainer.
- ½" Inlet stop valve for simple future maintenance.
- 1¼" IPS waste pipes included on each shower tower.
- Standard Sky Blue finish with optional colors available
- Custom color orders are non-cancellable and non-returnable



(Shown above) Model 7000-32-VP

## ORDERING OPTIONS

Part Number

# 7000-



### Optional

- SS:** Stainless steel body upgrade
- 31:** Chrome Plated Self-closing Jug Filler
- 32:** RCP Compression Type, Hose Bibb with VB
- 32-LK:** RCP Compression Type, Hose Bibb with VP and Loose Key
- 32-VP:** Key operated cover
- 34:** Frost Proof Jug Filler
- 35-VP:** Recessed Lock Box with Key Operated Cover
- 36:** Push Button Jug Filler
- SMP-6:** Surface Mounting Plate

# 7100-



### Optional

- SS:** Stainless steel body upgrade
- 31:** Chrome Plated Self-closing Jug Filler
- 32:** RCP Compression Type, Hose Bibb with VB
- 32-LK:** RCP Compression Type, Hose Bibb with VP and Loose Key
- 32-VP:** Key operated cover
- 35-VP:** Recessed Lock Box with Key Operated Cover
- 36:** Push Button Jug Filler
- SMP-6:** Surface Mounting Plate

\*A maximum of 3 options may be added to a fountain.

## DIMENSIONS

All dimensions subject to manufacturing variance of plus or minus 1/4" (6 mm)

**7000-31** 32"H x 6-5/8"Dia

**7000-34** 32"H x 6-5/8"Dia

**7000-36** 32"H x 6-5/8" Dia

**7000-36-MWL** 8"H x 8"W

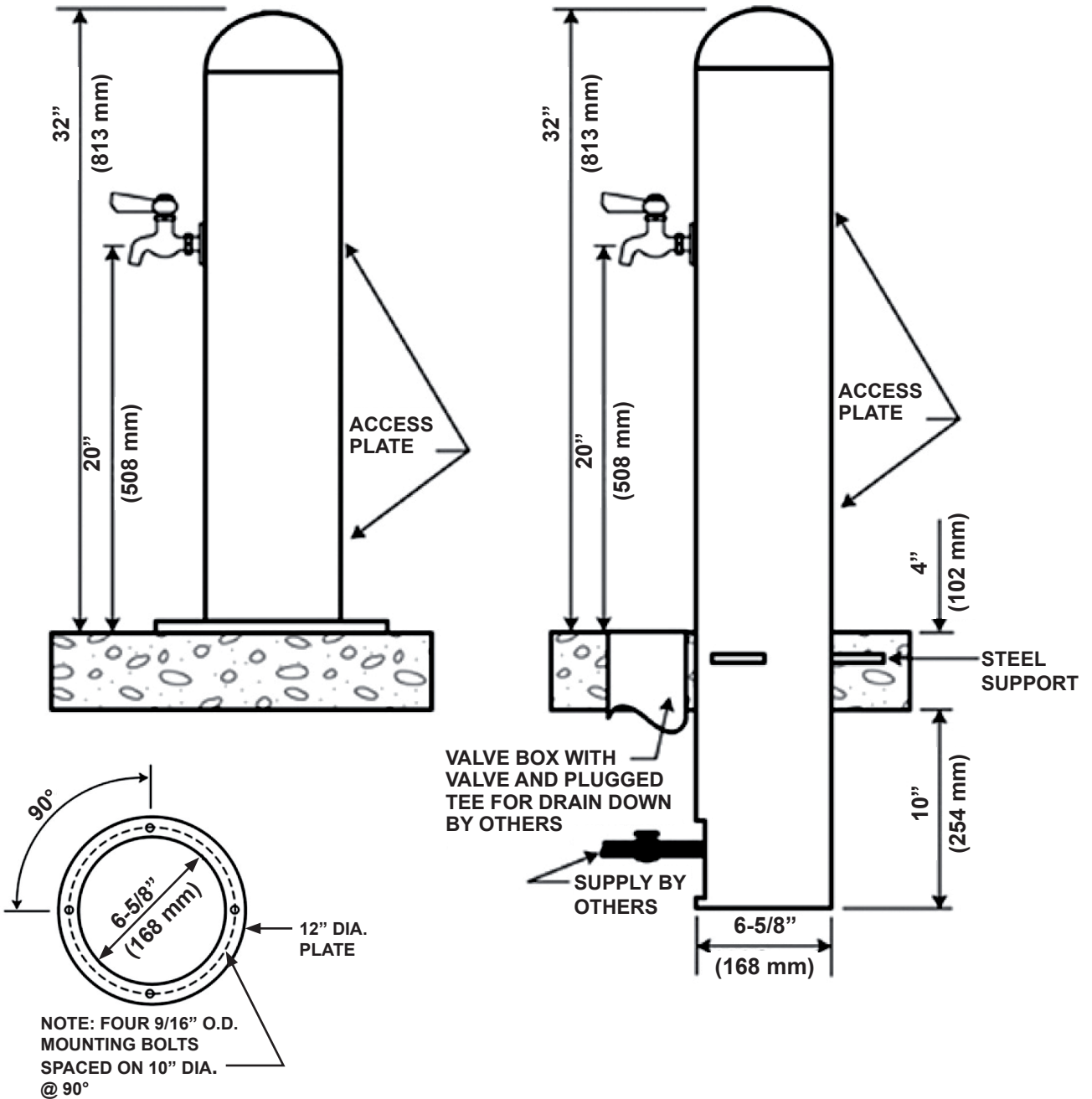
**7100-31** 46"H x 6-5/8"Dia

**7100-36** 46"H x 6-5/8" Dia

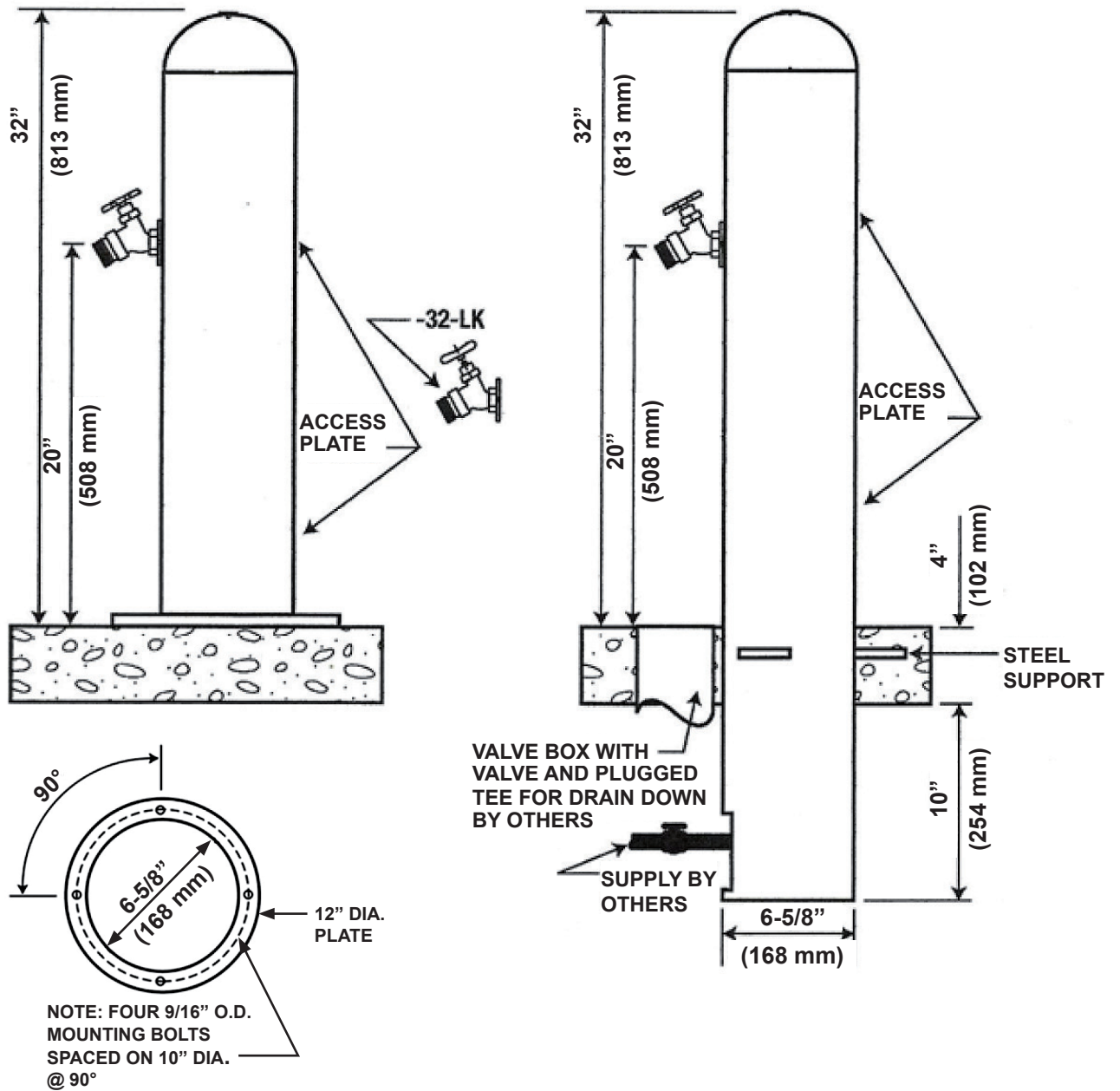
## SPEC

Furnish and install Stern-Williams Single Pedestal Jug Filler (specify model # and options). Jug fillers shall be carbon steel or 304 stainless steel and a powder coated finish. Welded anchor base shall be 1/2" thick. Jug filler shall include a self closing, chrome plated, lever handle or hose bibb with a flow rate of 3-3.5 GPM. Jug fillers shall be installed per manufacturers recommendations and instructions. Shower tower flow paths are lead-free with reinforced stainless-steel tubing that comply with NSF-61 standards. Made in the USA.

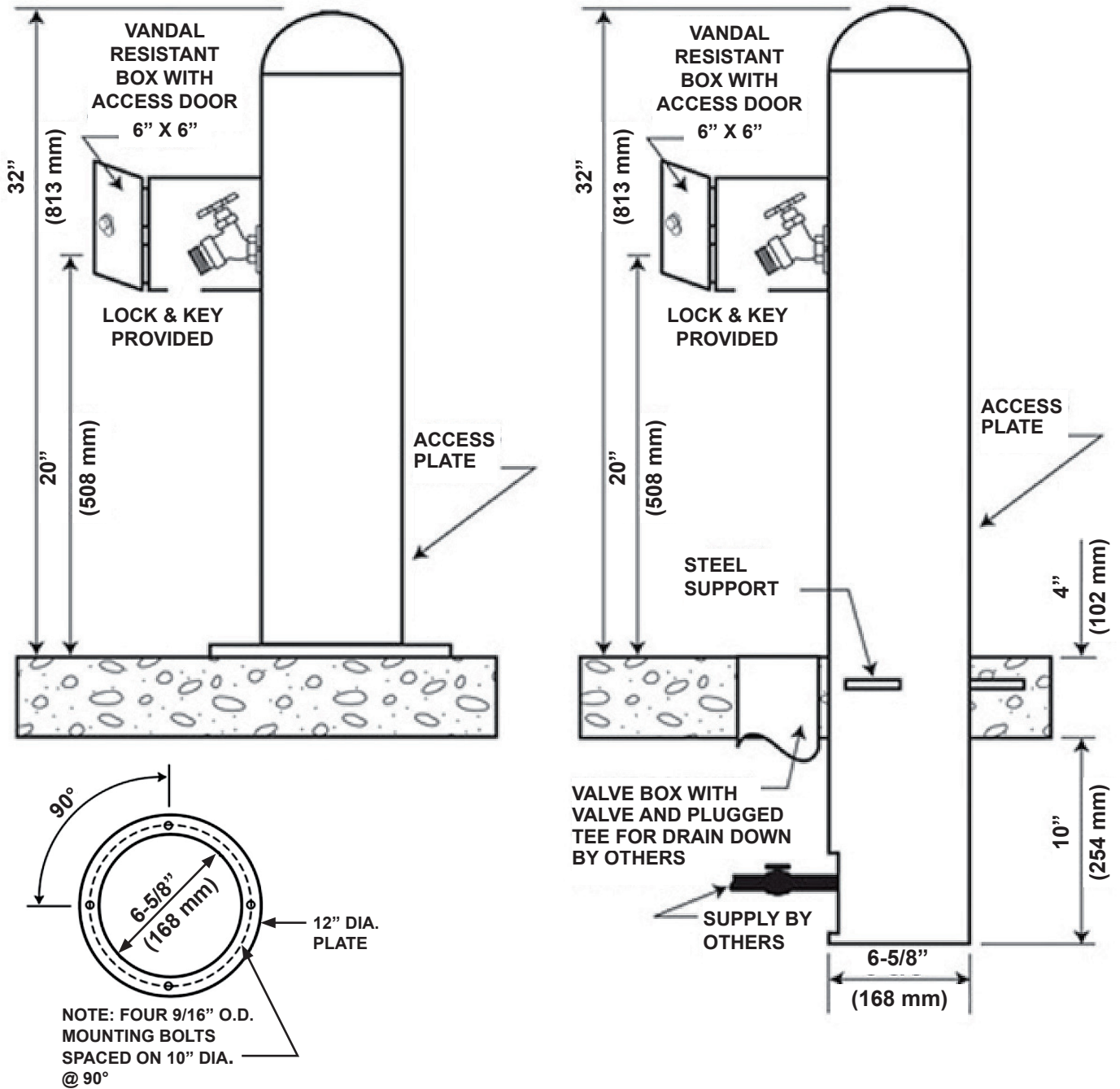
**7000-31 & 7100-31**

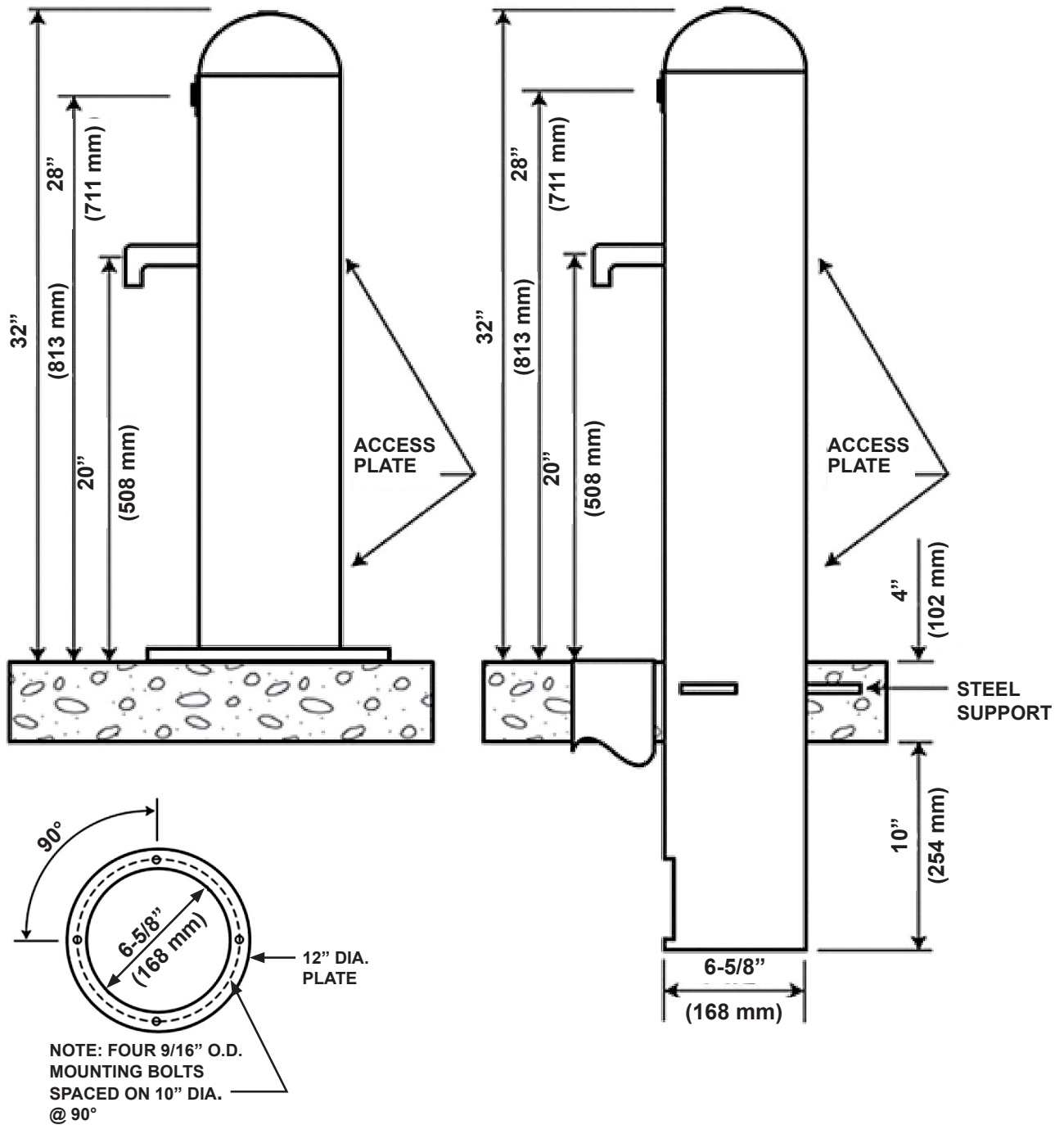


**7000-32 & 7100-32**

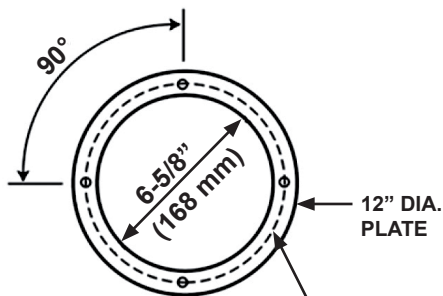
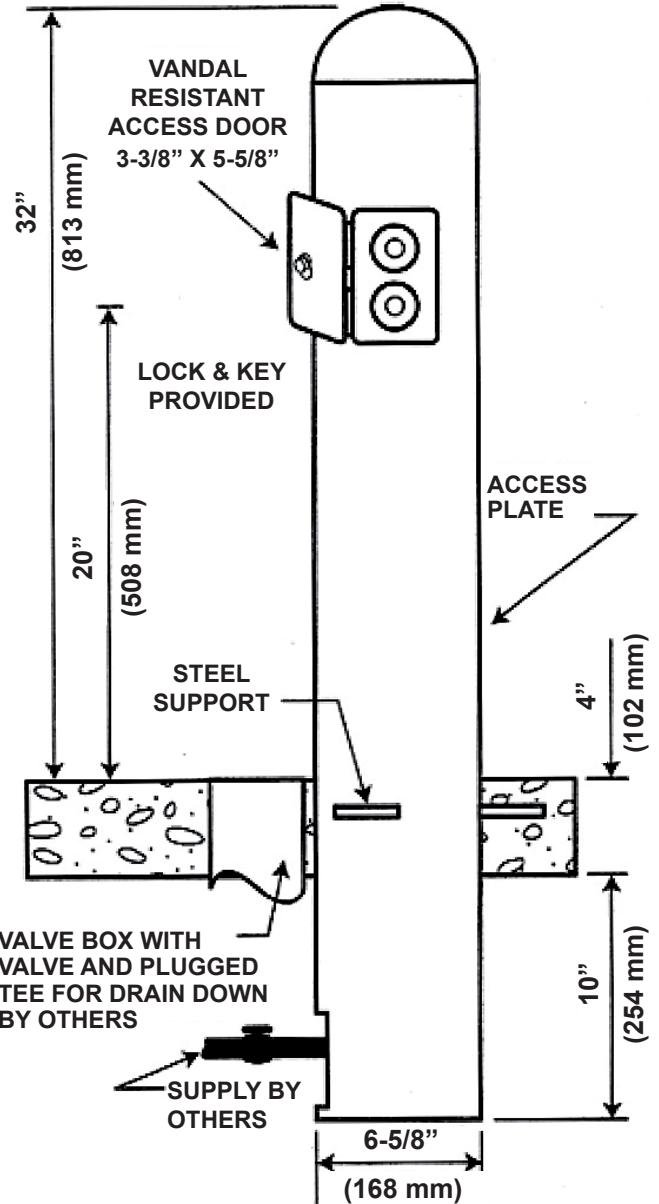
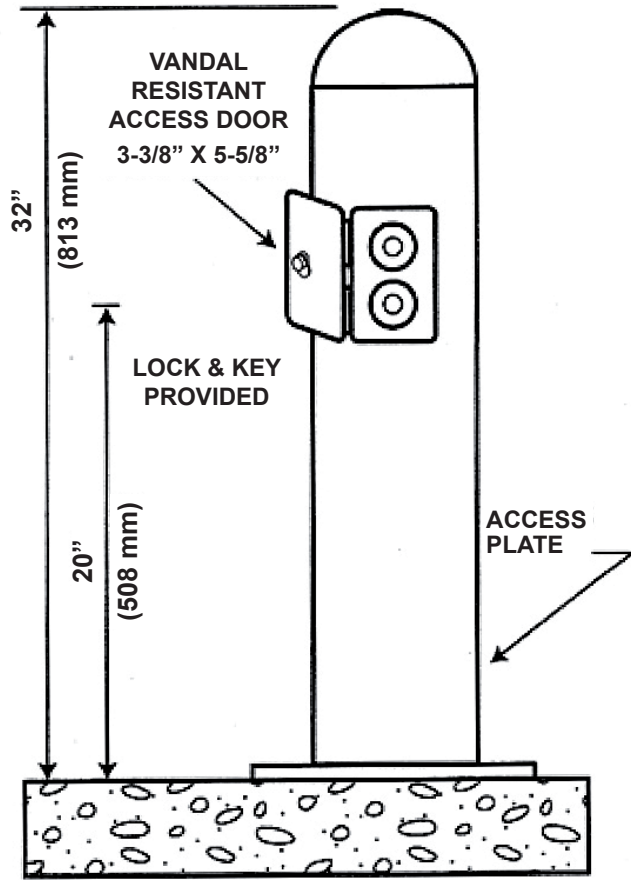


**7000-32-VP & 7100-32-VP**





**7000-35-VP & 7100-35-VP**



NOTE: FOUR 9/16" O.D. MOUNTING BOLTS SPACED ON 10" DIA. @ 90°

**7000-MWL-36**

