

# MODEL ADF-3700 & ADF-3701

## DUAL AGGREGATE FOUNTAIN

These all-purpose fountains are ideal for high traffic and maintain a great finish in rough environments. Models are dual bubblers and handicap accessible, meeting current ADA guidelines.

-FP are frost proof models. It is recommended that a dual check valve backflow prevention be installed in the waterline going to any FP fountain.

-FPS are Sanifrost models which will not allow stored water to re-enter the bubbler.



### FEATURES

- Vandal resistant access plates for security and simple future maintenance.
- Anchor installed mounting plate comes standard, ground installed mounting plate available as an option for installation assistance (SMP-12S).
- Simple flow adjustment without requiring the dismantling of the fountain.
- Recessed push button requires less than 5 lbs of force and is manufactured from chrome plated brass for reliability and long wear life with a water flow of 0.5 GPM.
- Water pressure range of 30-80 PSI.
- Fountain bowl is heavy duty 18 gauge stainless steel with brushed finish and vandal-resistant chrome plated brass strainer. A drain tool is included with each fountain.
- Aggregate bubbler guard with optional stainless steel bubbler guards (-42).
- Optional aggregate pet fountain (-94)
- Optional matching aggregate step (-65)
- All flow paths are lead-free with reinforced stainless-steel tubing that comply with NSF-61 standards.
- In-line mesh screen Y strainer.
- ½” Inlet stop valve for simple future maintenance.
- 1 ¼” IPS waste pipes included on each fountain.



(00-Q) Quiet Creek  
Light Etched



(00-C) Colorama  
Light Etched



(01-Q) Quiet Creek  
Medium Etched



(01-C) Colorama  
Medium Etched

(Shown above) Model ADF-3701-C



## ORDERING OPTIONS

Aggregate Color Options:

### ADF-37 -

- 00:** Light Etched
- 01:** Medium Etched
- C:** Colorama
- Q:** Quiet Creek

Optional Components:

### ADF-37XX-X-

- Optional**
- 31:** Chrome Plated Self-closing Jug Filler
  - 32:** RCP Hose Bibb with VB
  - 32-LK:** RCP Hose Bibb with VB and Loose Key
  - 33-VP:** Hose Bibb with Lock Box
  - 36:** Push Button Jug Filler
  - 37:** Foot Spray
  - 38:** Shutdown/Drain Valve
  - 40:** Commemorative Plaque
  - 42:** S.S. Bubbler Guard
  - 65:** Matching Step
  - 75:** Chiller Unit with Aggregate Cover
  - 84:** Water Filter
  - 85:** Ground Valve Box with Lid
  - 94:** Pet Fountain
  - 95:** Sand trap
  - 96:** Sand strainer plate
  - SMP-12S:** Surface Mounting Plate

### ADF-37XX-X-FP-

- Optional**
- 34-FP:** Frost Proof Jug Filler
  - 38:** Shutdown/Drain Valve
  - 40:** Commemorative Plaque
  - 42:** S.S. Bubbler Guard
  - 65:** Matching Step
  - 75:** Chiller Unit with Aggregate Cover
  - 85:** Ground Valve Box with Lid (Recommended for -FP units)
  - 87:** Surface Valve Box with Cover Plate
  - 94-FP:** Frost Proof
  - 95:** Sand Trap
  - 96:** Sand Strainer Plate
  - SMP-12S:** Surface Mounting Plate

### ADF-37XX-X-FPS-

- Optional**
- 34-FPS:** Sanifrost Jug Filler
  - 38:** Shutdown/Drain Valve
  - 40:** Commemorative Plaque
  - 42:** S.S. Bubbler Guard
  - 65:** Matching Step
  - 75:** Chiller Unit with Aggregate Cover
  - 85:** Ground Valve Box with Lid (Recommended for -FP units)
  - 87:** Surface Valve Box with Cover Plate
  - 94-FPS:** Sanifrost
  - 95:** Sand Trap
  - 96:** Sand Strainer Plate
  - SMP-12S:** Surface Mounting Plate

\*A maximum of 3 options may be added to a fountain.

## DIMENSIONS

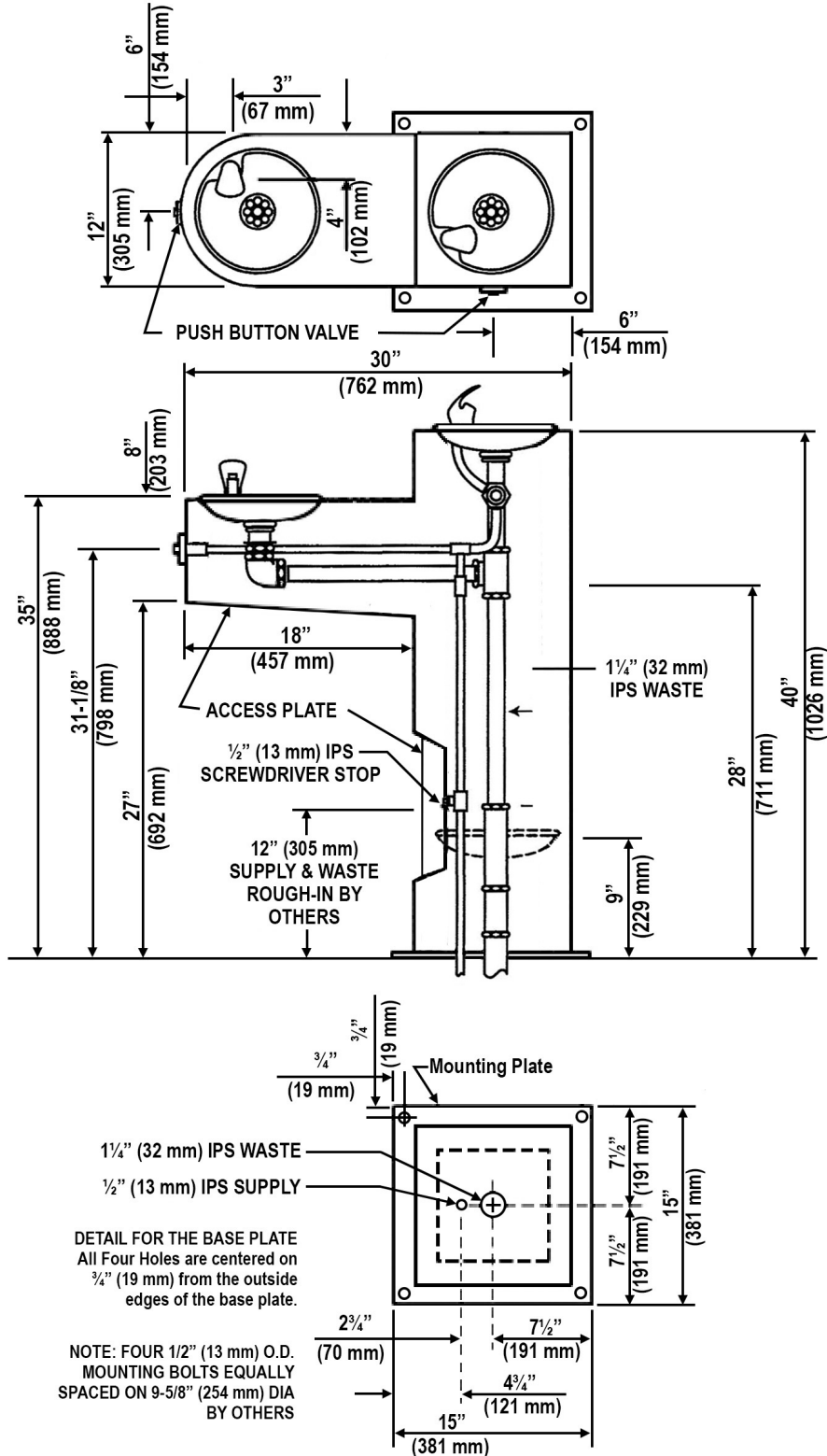
All dimensions subject to manufacturing variance of plus or minus 1/4" (6 mm)

**ADF-3700** 40"H x 12"W x 30"L with 15" square base

**ADF-3700-94** 40"H x 26½"W x 30"L with 15" square base

## SPEC

Furnish and install Stern-Williams Dual Pedestal Drinking Fountain (specify model # and options). Drinking fountain shall be aggregate. Fountain shall have chrome plated brass bubblers with vandal resistant bubbler guard. Water pressure range shall be 30-80 PSI. Fountains shall provide for simple flow adjustment without requiring dismantling of fountain with a water flow of 0.5 GPM. Welded anchor base shall be 1/2" thick. Push buttons shall require less than 5 lbs of force in compliance with ADA code. Fountains shall be installed per manufacturers recommendations and instructions. Drinking fountain flow paths are lead-free with reinforced stainless-steel tubing that comply with NSF-61 standards. Made in the USA.

**ADF-3700**


**ADF-3700-94**
