

MODEL 5300 & 5305 SINGLE WALL MOUNTED DRINKING FOUNTAINS

Striking design with clean, sleek lines. Designed to defy the elements, resist vandals and stand up to hard use. The chrome-plated brass bubbler is locked to the stainless steel receptor. Push button valve is vandal resistant and recessed in steel plate. Vandal resistant bubbler guard.

ADA Compliant

Model 5300 is concealed wall mount.

Model 5305 is four bolts, front wall mount.



(Shown above) Model 5300

FEATURES

- All steel heavy-duty construction with welded and ground joints for a clean and tidy appearance
- Stainless Steel (-SS) bodies available for harsh coastal environments
- Vandal resistant access plates for security and simple future maintenance
- Vandal resistant bubbler guard unique to Stern Williams Fountains assures years of service
- Water pressure range of 30-80 PSI
- Optional WMP-1 (5300) or WMP-1-FM (5305) mounting plates for installation assistance
- Optional FLWMP-1 (5300) or FLWMP-1-FM (5305) floor support carried is available and advisable for in wall installation
- Recessed push button requires less than 5 lbs of force and is manufactured from chrome plated brass for reliability and long wear life with a water flow of 0.5 GPM
- Simple flow adjustment without requiring the dismantling of the fountain
- Fountain Bowl is heavy duty 18 gauge stainless steel with brushed finish and vandal-resistant chrome plated brass strainer. A drain tool is included with each fountain
- All flow paths are lead-free with reinforced stainless-steel tubing that complies with NSF/ANSI/CAN 61: Q≤1 (AB100) standards
- Stainless steel supply fittings connected to reinforced tubing
- In-line mesh screen Y strainer
- ½” Inlet stop valve for simple future maintenance
- 1-1/4” IPS waste pipes included with every fountain
- Standard Woodland Green Finish with Optional colors



ORDERING OPTIONS

Part Number

5300-



Optional

- SS:** Stainless steel body upgrade
- FLWMP-1:** Support carrier with mounting plate
- WMP-1:** Mounting plate

5305-



Optional

- SS:** Stainless steel body upgrade
- FLWMP-1-FM:** Support carrier with mounting plate
- WMP-1-FM:** Mounting plate

5300-FP-



Optional

- SS:** Stainless steel body upgrade
- FLWMP-1:** Support carrier with mounting plate
- WMP-1:** Mounting plate

5305-FP-



Optional

- SS:** Stainless steel body upgrade
- FLWMP-1-FM:** Support carrier with mounting plate
- WMP-1-FM:** Mounting plate

*A maximum of 3 options may be added to a fountain.
-FP are frost proof models

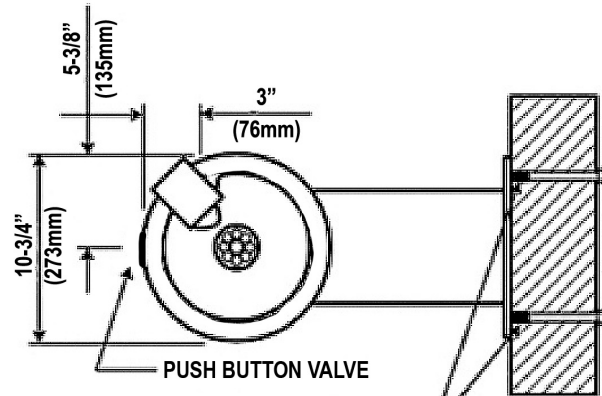
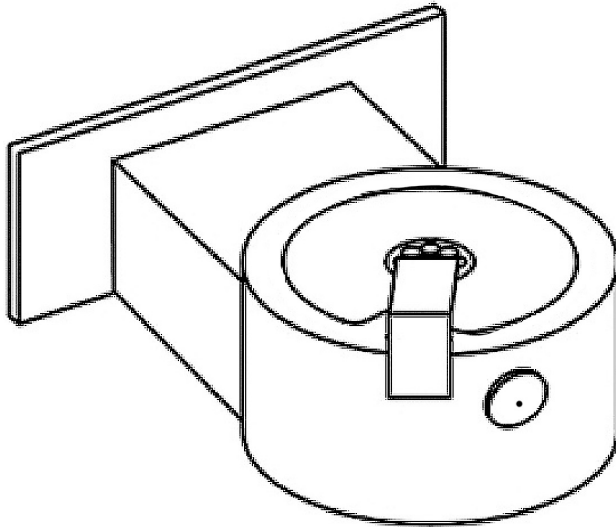
DIMENSIONS

All dimensions subject to manufacturing variance of plus or minus 1/4" (6 mm)

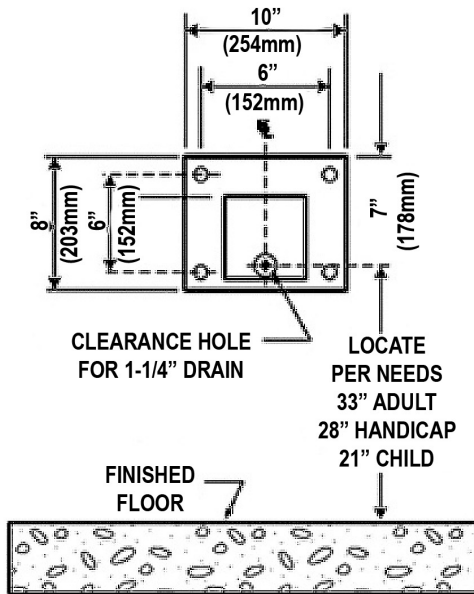
- 5300** 7"H x 20" L / Concealed wall mounted
- 5300-FP** 7"H x 20" L / Concealed wall mounted w/ freeze-proof valve system
- 5305** 7"H x 20" L / Four bolts, front wall mount
- 5305-FP** 7"H x 20" L / Four bolts, front wall mount w/ freeze-proof valve system

SPEC

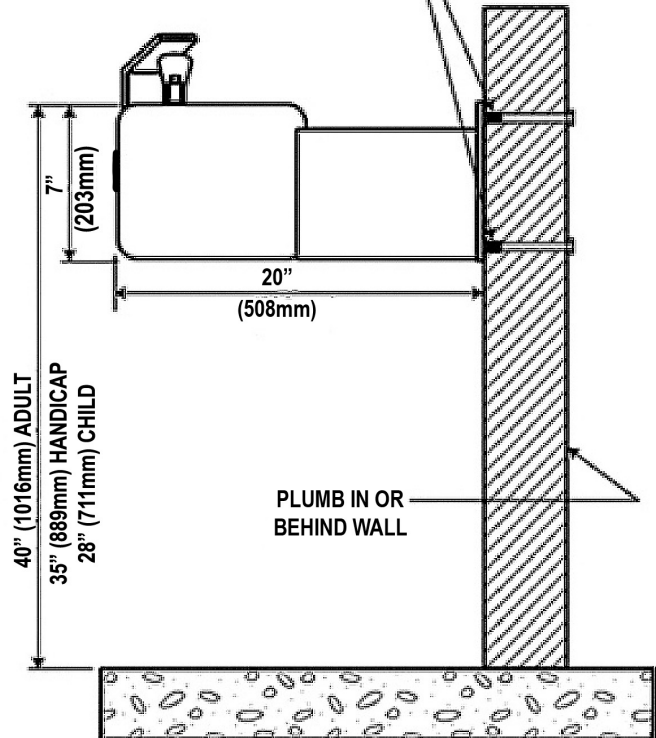
Furnish and install Stern-Williams Single Wall Mounted Drinking Fountain (specify model # and options). Drinking fountains shall be carbon steel or 304 stainless steel and a powder coated finish. Fountain shall have chrome plated brass bubblers with vandal resistant bubbler guard. Water pressure range shall be 30-80 PSI. Fountains shall provide for simple flow adjustment without requiring dismantling of fountain with a water flow of 0.5 GPM. Push buttons shall require less than 5 lbs of force in compliance with ADA code. Fountains shall be installed per manufacturers recommendations and instructions. Drinking fountain flow paths are lead-free with reinforced stainless-steel tubing that complies with NSF/ANSI/CAN 61: Q₁ (AB100) standards. Made in the USA.



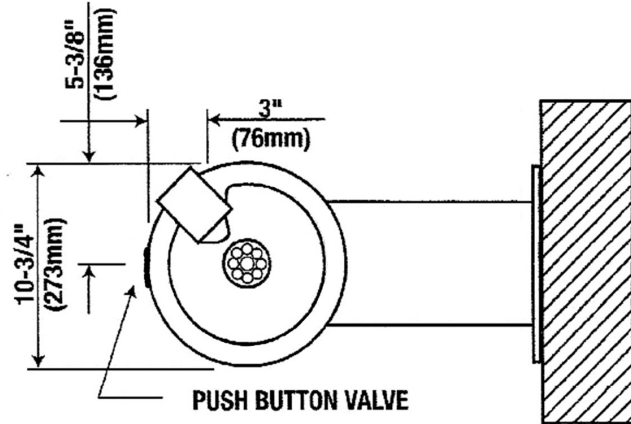
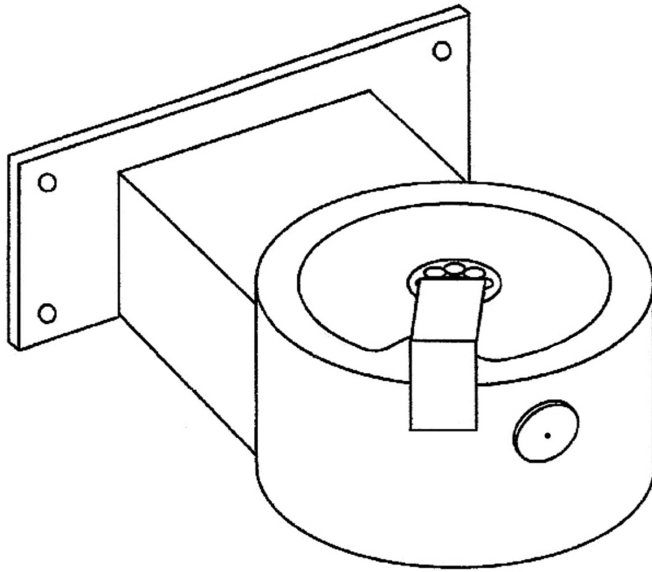
ANCHOR TO WALL WITH
1/2" - 13 COUPLING NUTS
ON OUTSIDE 4 PLACES



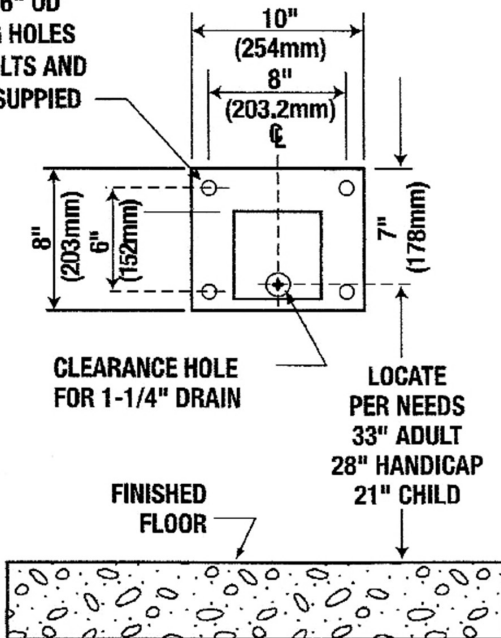
VIEW FOR MOUNTING



NOTE: OPTIONAL FLOOR SUPPORT CARRIER
FLWMP-1 IS AVAILABLE AND ADVISABLE
FOR IN WALL INSTALLATION



FOUR 9/16" OD
MOUNTING HOLES
FOR 1/2" BOLTS AND
WASHERS SUPPLIED



VIEW FOR MOUNTING

