

MODEL 5400 BARRIER-FREE PEDESTAL DRINKING FOUNTAINS

Heavy Duty design and construction meant to stand up to the toughest environments. The Model 5400 is available constructed from Steel or Stainless Steel materials. All waterways are lead free and available for use in the most stringent environment.

FEATURES

- All steel heavy-duty construction with welded and ground joints for a clean and tidy appearance.
- Stainless Steel (-SS) bodies available for harsh coastal environments.
- Vandal resistant access plates for security and simple future maintenance.
- Vandal resistant bubbler guard unique to Stern Williams Fountains assures years of service .
- Water pressure range of 30-80 PSI.
- Anchor installed mounting plate comes standard, ground installed mounting plate available as an option for installation assistance (SMP-10).
- Recessed push button requires less than 5 lbs of force and is manufactured from chrome plated brass for reliability and long wear life with a water flow of 0.5 GPM.
- Simple flow adjustment without requiring the dismantling of the fountain.
- Fountain Bowl is heavy duty 18 gauge stainless steel with brushed finish and vandal-resistant chrome plated brass strainer. A drain tool is included with each fountain.
- All flow paths are lead-free with reinforced stainless-steel tubing that complies with NSF/ANSI/CAN 61: Q≤1 (AB100) standards.
- In-line mesh screen Y strainer.
- ½” Inlet stop valve for simple future maintenance.
- 1 ¼” IPS waste pipes included on each fountain.
- Standard Woodland Green finish with optional colors available.



(Shown above) Model 5400

ORDERING OPTIONS

Part Number

5400-

5400-FP-

5400-FPS-

Optional

- SS:** Stainless Steel Body Upgrade
- 31:** Chrome Plated Jug Filler
- 32:** RCP Hose Bibb with VB
- 32-LK:** RCP Hose Bibb with VB and Key
- 32-SC:** Self Closing Hose Bibb with VB
- 34:** Frost Proof Jug Filler
- 35-VP:** Recessed Hose Bibb with Lock
- 36:** Push Button Jug Filler
- 37:** Foot Spray
- 38:** Shutdown/Drain Valve
- 40:** Commemorative Plaque
- 82:** Hand Wash Station
- 84:** Water Filter
- 85:** Valve Box
- 87:** Metal Valve Box
- 90:** Pet fountain
- 90-SS:** Stainless Steel Pet Fountain
- 95:** Sand Trap
- 96:** Sand Strainer Plate
- SMP-10:** Surface Mounting Plate

Optional

- SS:** Stainless Steel Body Upgrade
- 34:** Frost Proof Jug Filler
- 38:** Shutdown/Drain Valve
- 40:** Commemorative Plaque
- 84:** Water Filter
- 85:** Ground Valve Box with lid
- 86:** Metal Valve Box, Surface
- 87:** Metal Valve Box, In-ground
- 90-FP:** Frostproof Pet Fountain
- 95:** Sand Trap
- 96:** Sand Strainer Plate
- SMP-10:** Surface Mounting Plate

Optional

- SS:** Stainless Steel Body Upgrade
- 34-FPS:** Sanifrost Jug Filler
- 38:** Shutdown/Drain Valve
- 40:** Commemorative Plaque
- 84:** Water Filter
- 85:** Ground Valve Box with lid
- 86:** Metal Valve Box, Surface
- 87:** Metal Valve Box, In-ground
- 90-FPS:** Sanifrost Pet Fountain
- 95:** Sand Trap
- 96:** Sand Strainer Plate
- SMP-10:** Surface Mounting Plate

*A maximum of 3 options may be added to a fountain.

*Part number 5400-MWL or 5400-MWL-FP for a wall-mounted model.

DIMENSIONS

All dimensions subject to manufacturing variance of plus or minus 1/4" (6 mm)

5400 38"H x 10-3/4"W x 30-3/4"L / Single with Surface Mount

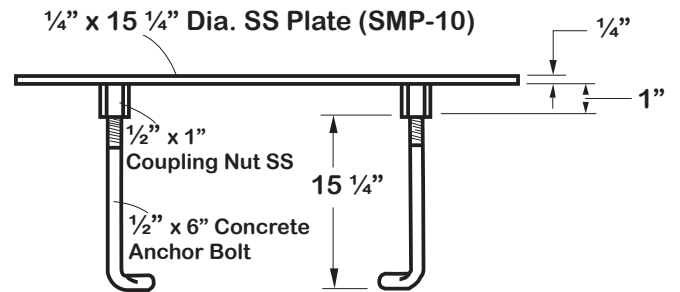
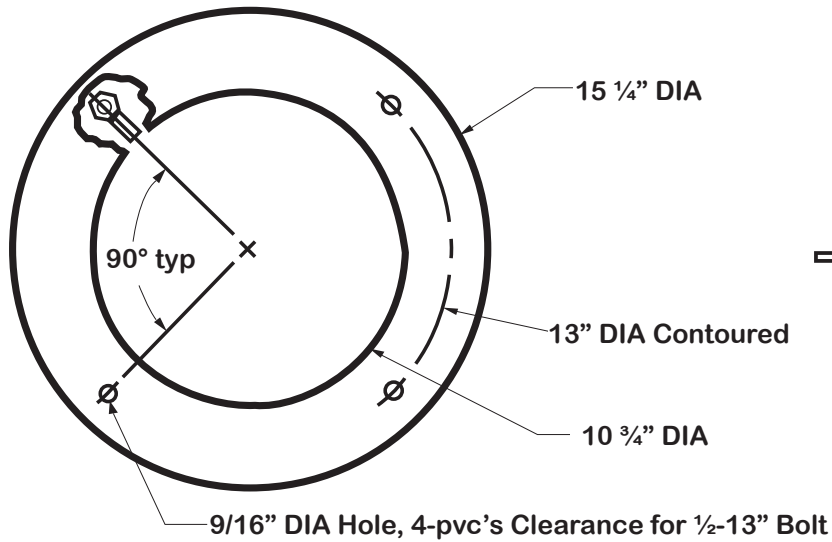
5400-90 38"H x 23"W x 38-3/4"L / Single with Surface Mount and Pet Fountain

5400-MWL 38"H x 10-3/4" W x 25-3/8 L / Surface and Wall mounted

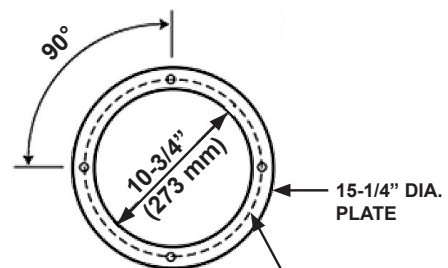
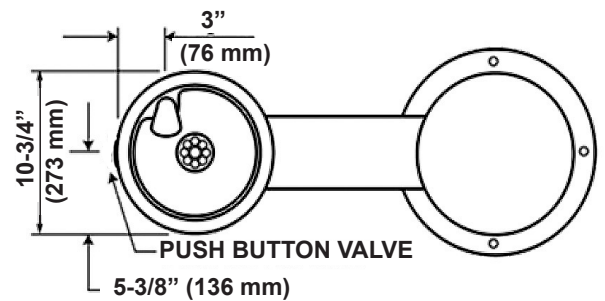
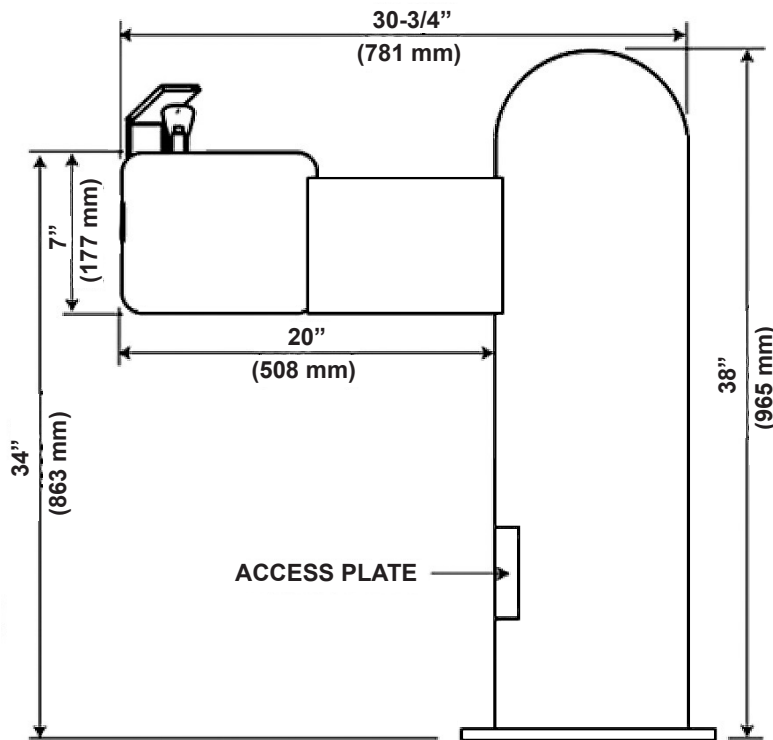
SPEC

Furnish and install Stern-Williams Barrier-Free Pedestal Drinking Fountain (specify model # and options). Drinking fountain shall be carbon steel or 304 stainless steel and a powder coated finish. Fountain shall have chrome plated brass bubblers with vandal resistant bubbler guard. Water pressure range shall be 30-80 PSI. Fountains shall provide for simple flow adjustment without requiring dismantling of fountain with a water flow of 0.5 GPM. Welded anchor base shall be 1/2" thick. Joints must be welded and ground smooth. Push buttons shall require less than 5 lbs of force in compliance with ADA code. Fountains shall be installed per manufacturers recommendations and instructions. Drinking fountain flow paths are lead-free with reinforced stainless-steel tubing that comply with NSF-61 standards. Made in the USA.

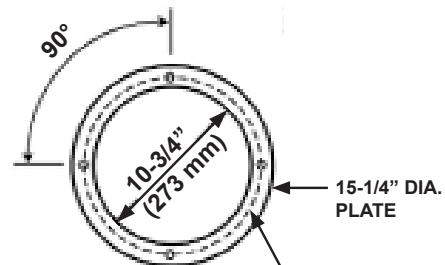
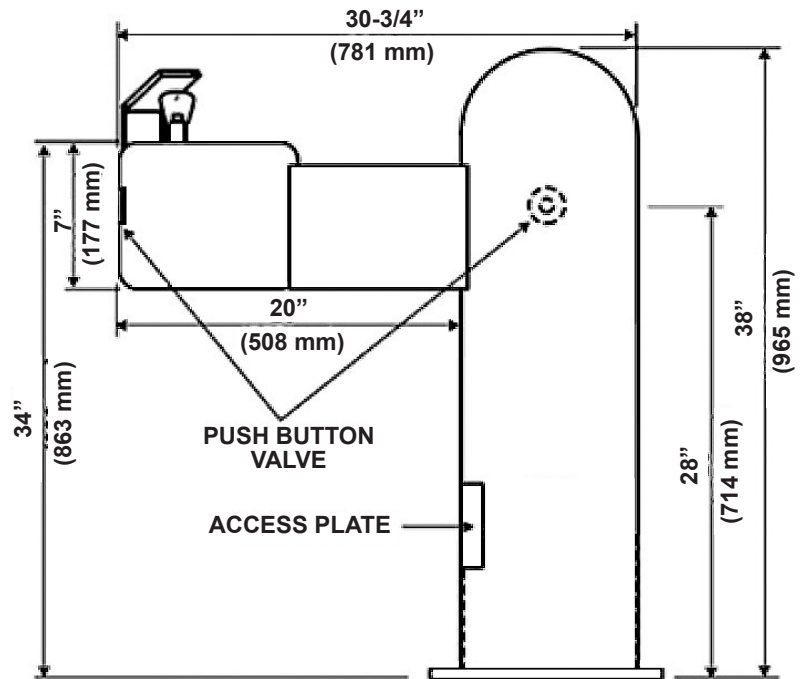
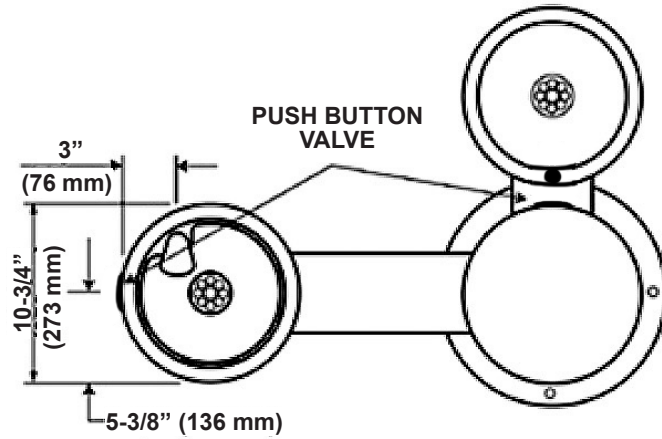
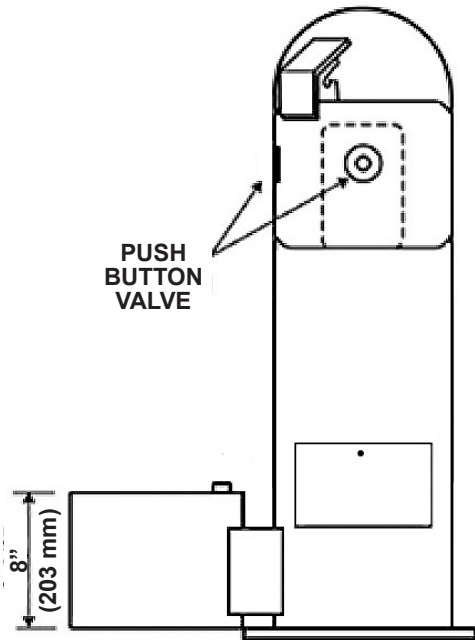
SMP-10



5400

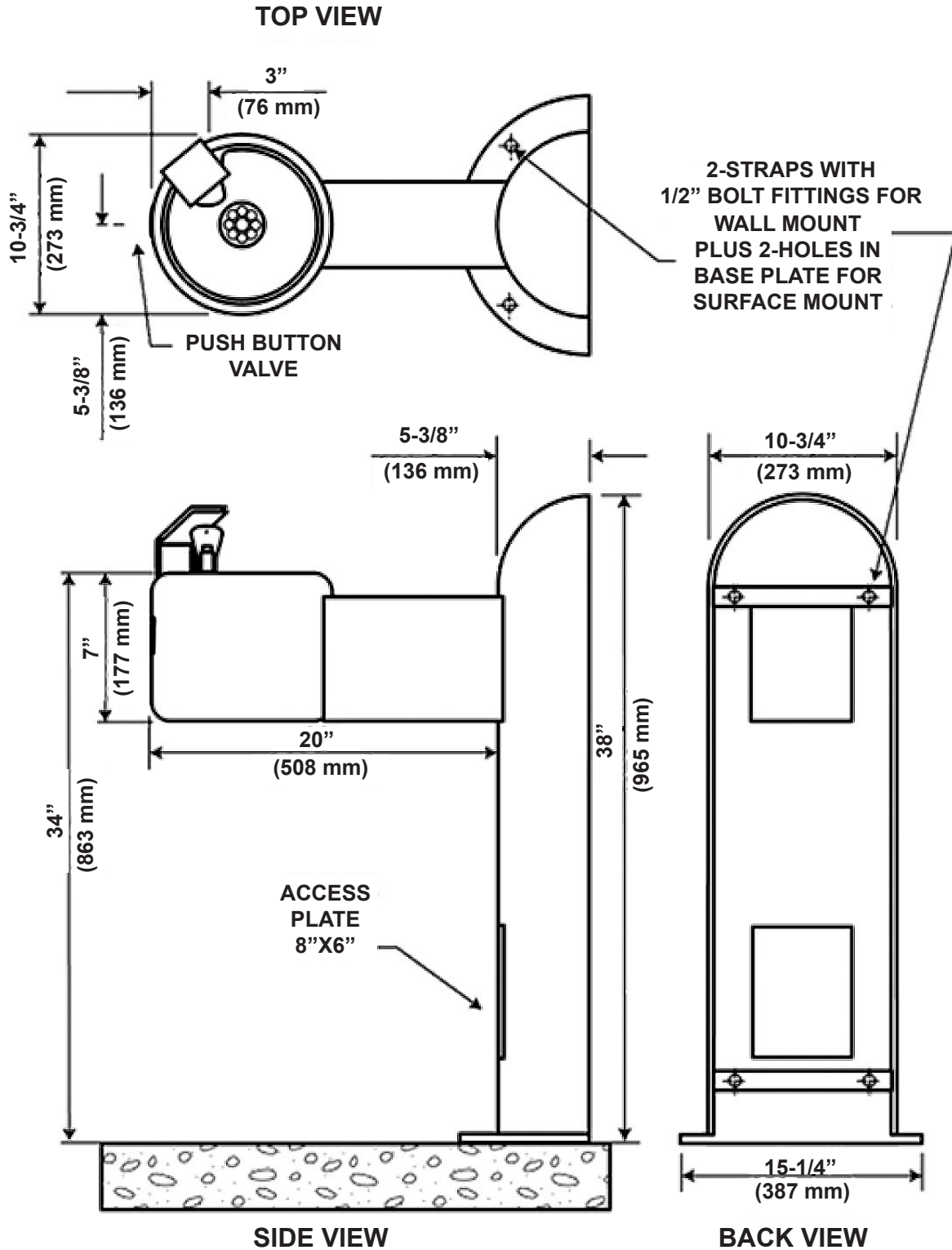


NOTE: FOUR 9/16" O.D. MOUNTING BOLTS SPACED ON 13" DIA.

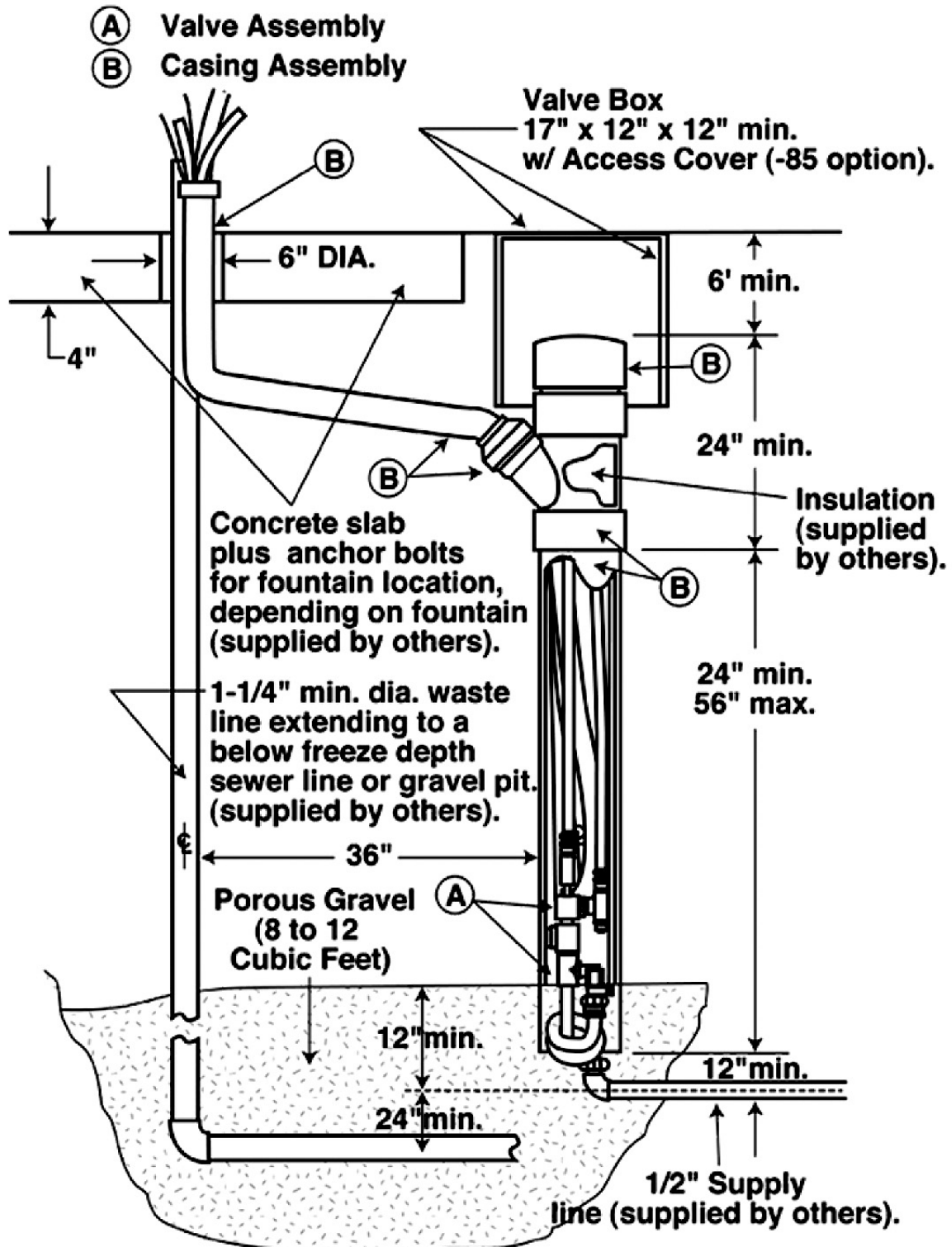


NOTE: FOUR 9/16" O.D. MOUNTING BOLTS SPACED ON 13" DIA.

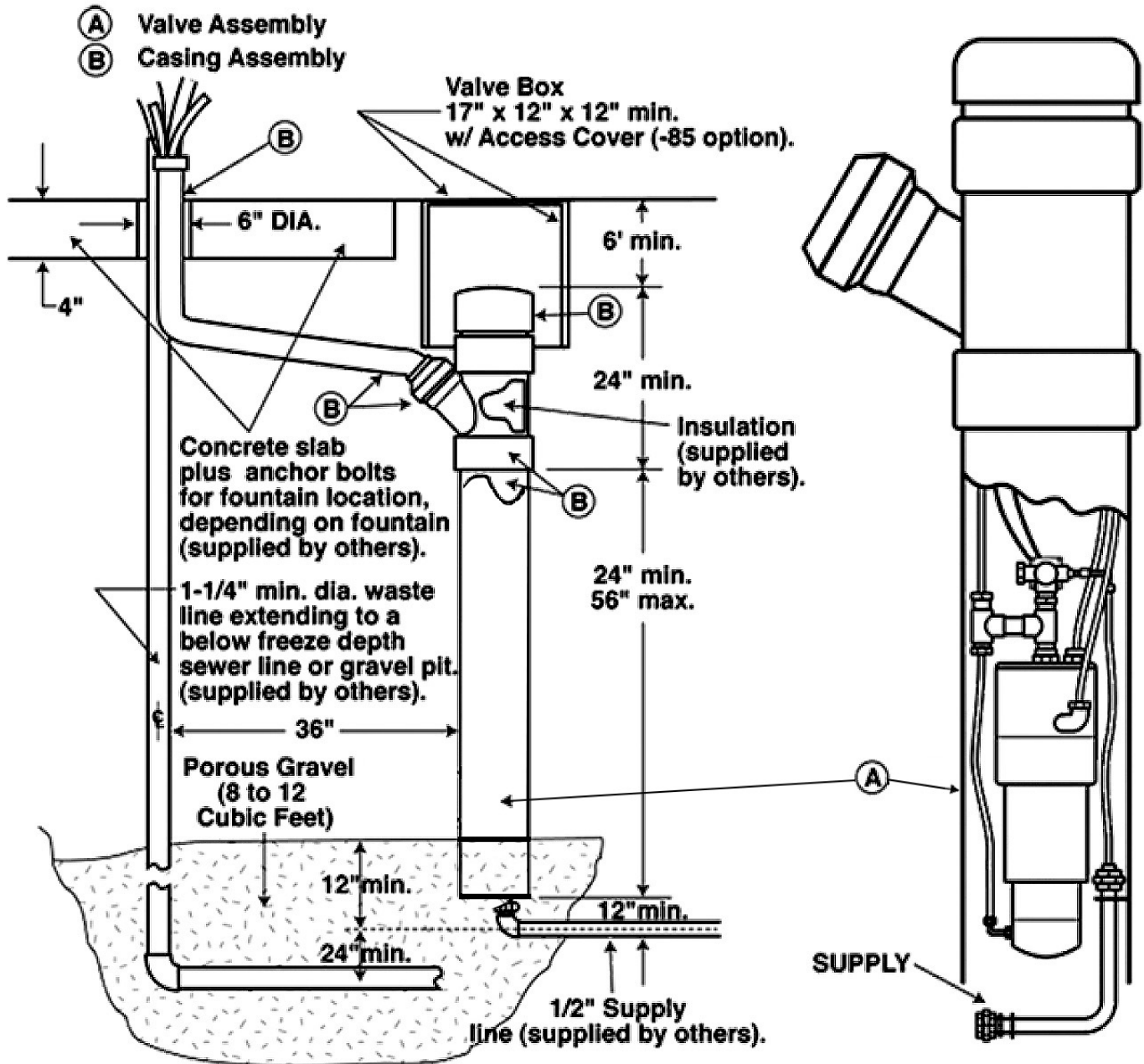
5400-MWL



5400-FP

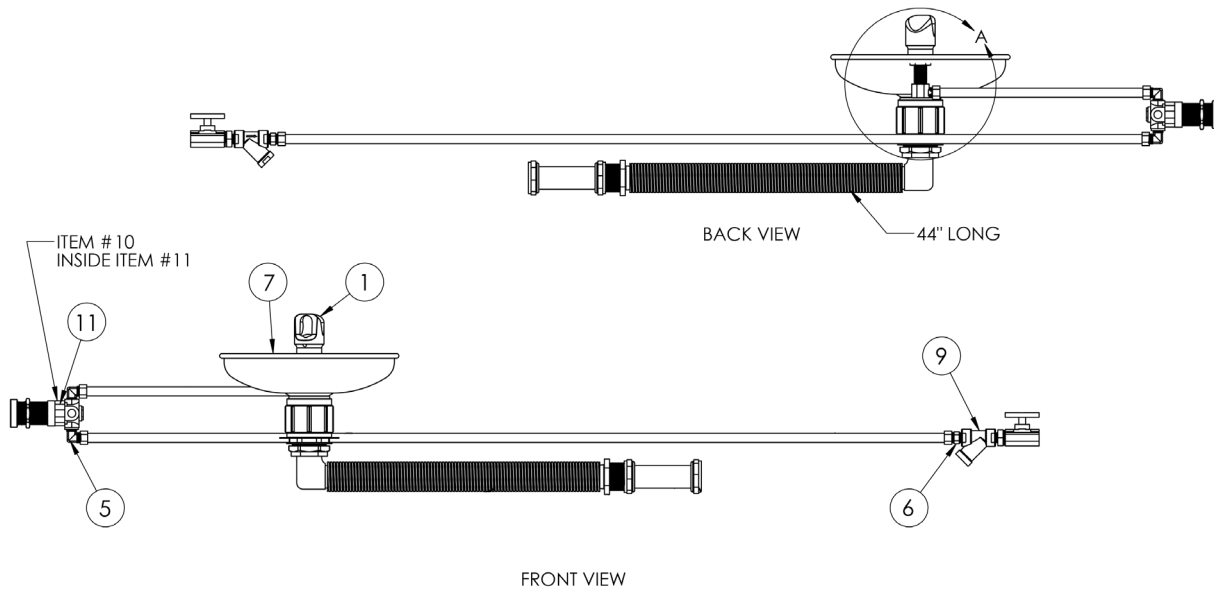
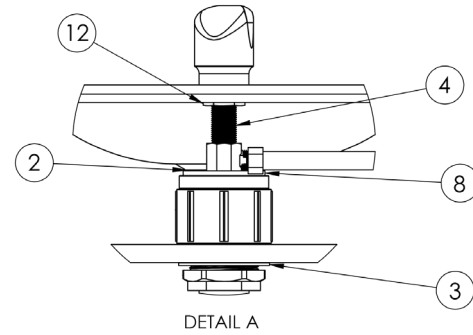


5400-FPS



5400 PLUMBING ASSEMBLY

ID	PART #	DESCRIPTION	QTY.
1	S231-0212	SHIELD HEAD BUBBLER	1
2	S231-0260	CP THEFT PROOF DRAIN	1
3	S302-0001	LOCKNUT 1-1/2", STEEL	1
4	S310-0012	NIPPLE, 3/8" X 2" LF BRASS	1
5	S320-0010	ELBOW, LF BRASS, 90 ELBOW 1/4" NPT 1-1/4"	2
6	S320-0012	1/4" MIP X 3/8" COMP ADAPTER, LF BRASS	1
7	S323-0057	SS DR FOUNTAIN BOWL	1
8	S336-0001	GASKET FOR BOWLS (1-1/2", W708), EPDM	1
9	S337-0041	Y STRAINER 1/4"	1
10	S337-0053	WASHER, EPDM, 1-1/4"OD X 7/8"ID	1
11	S399-0002	1/4" FLUID PRESSURE REGULATOR	1
12	S920-0001	LOCKNUT, 3/8", BRASS	1



RETIRED PLUMBING ASSEMBLY

ID	PART #	DESCRIPTION	QTY.
7	S323-0001	SS DR FOUNTAIN BOWL	1

