

## MODEL 7700 PEDESTAL BOTTLE FILLER AND DRINKING FOUNTAIN

Fill your bottle with a recessed push-button and flow adjustment. The Model 7700 comes with a drinking fountain, bottle filler and has the option to add on a pet fountain. Model 7700 is in compliance with ADA code.

### FEATURES

- All steel heavy-duty construction with welded and ground joints for a clean and tidy appearance
- Stainless Steel (-SS) bodies available for harsh coastal environments
- Vandal resistant access plates for security and simple future maintenance
- Vandal resistant fabricated bubbler guard unique to Stern Williams Fountains assures years of service
- Water pressure range of 30-80 PSI
- Anchor installed mounting plate comes standard, ground installed mounting plate (SMP-10) available as an option for installation assistance
- Recessed push button is manufactured from chrome plated brass for reliability and long wear life with a water flow of 0.5 GPM
- Simple flow adjustment without requiring the dismantling of the fountain.
- Fountain bowl is heavy duty 18 gauge stainless steel with brushed finish and vandal-resistant chrome plated brass strainer. A drain tool is included with each fountain
- All flow paths are lead-free with reinforced stainless-steel tubing that complies with NSF/ANSI/CAN 61: Q<sub>≤</sub>1 (AB100) standards
- In-line mesh screen Y strainer
- ½" Inlet stop valve for simple future maintenance
- 1 ¼" IPS waste pipes included on each fountain
- Standard Woodland Green finish with optional colors available



(Shown above) Model 7700



## ORDERING OPTIONS

Part Number

**7700-**



### Optional

- 31-RCP:** Self Closing Plain End
- 32-RCP:** Compression type hose end and VB
- 32LK-RCP:** Compression type hose end VB loose key
- 32-SC:** Self-closing, hose end and vacuum breaker
- 32-VP:** Vandalproof Compression Valve
- 35:** Recessed compression-type, hose end and VB
- 35-VP:** Above with key-operated cover
- 36:** Push Button Jug Filler
- 37:** Foot spray
- 38:** Shutdown Drain Valve
- 40:** Commemorative plaque
- 82:** Hand Wash Station
- 84:** Water filter
- 85:** Ground valve box w/ lid
- 86:** Attached metal valve box
- 87:** Surface Valve Box w/Cover Plate
- 90:** Pet Fountain
- 95:** Sand trap
- 96:** Sand strainer plate
- 100:** Solar Light
- RV:** Reverse Heights
- SS:** Stainless steel upgrade

Part Number

**7700-FP-**



### Optional

- 34:** Frostproof jug filler
- 38:** Shutdown Drain Valve
- 40:** Commemorative plaque
- 85:** Ground valve box w/ lid
- 86:** Attached metal valve box
- 87:** Surface Valve Box w/Cover Plate
- 90-FP:** Pet Fountain
- 95:** Sand trap
- 96:** Sand strainer plate
- RV:** Reverse Heights
- SS:** Stainless steel upgrade

## DIMENSIONS

All dimensions subject to manufacturing variance of plus or minus 1/4" (6 mm)

**7700** 60"H x 10-3/4"W x 30-3/4"L / Surface Mount

**7700-90** 60"H x 23-1/4"W x 30-3/4"L / Surface Mount with Pet Fountain

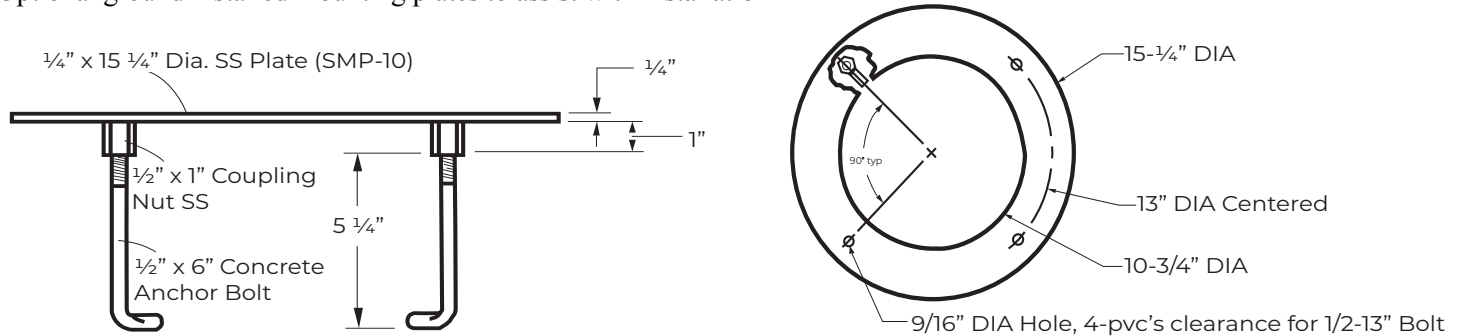
**7700-FP** 60"H x 23-1/4"W x 30-3/4"L / Frost Proof

## SPEC

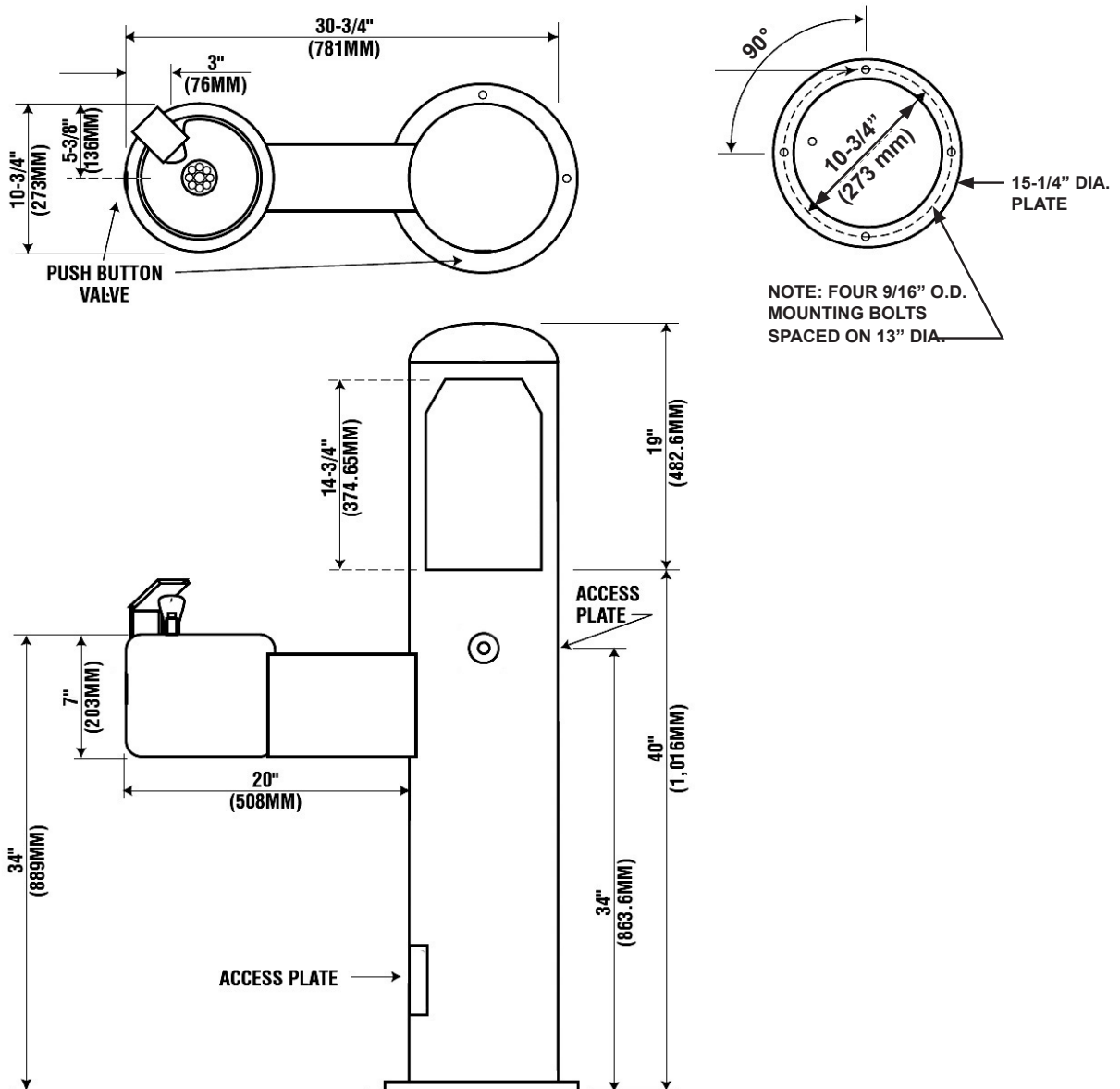
Furnish and install Stern-Williams Pedestal Bottle Filler and Drinking Fountain (specify model # and options). Drinking fountain and bottle filler shall be carbon steel or 304 stainless steel and a powder coated finish. Fountain shall have chrome plated brass bubblers with vandal resistant bubbler guard. Water pressure range shall be 30-80 PSI. Fountains shall provide for simple flow adjustment without requiring dismantling of fountain with a water flow of 0.5 GPM. Welded anchor base shall be 1/2" thick. Joints must be welded and ground smooth. Push buttons shall require less than 5 lbs of force in compliance with ADA code. Fountains shall be installed per manufacturers recommendations and instructions. Drinking fountain flow paths are lead-free with reinforced stainless-steel tubing that complies with NSF/ANSI/CAN 61: Q≤1 (AB100) standards. Made in the USA.

## SMP-10

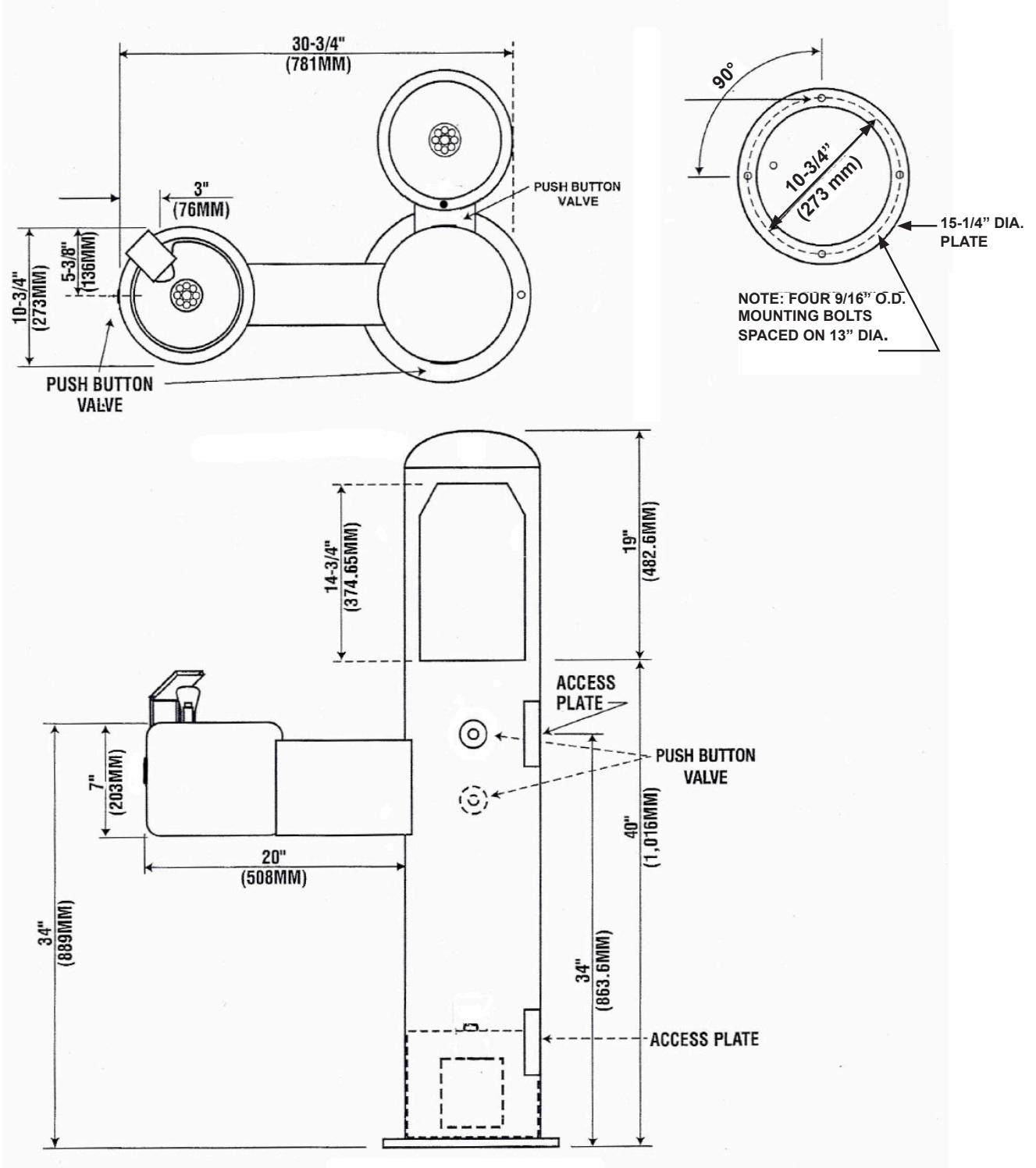
Optional ground installed mounting plates to assist with installation



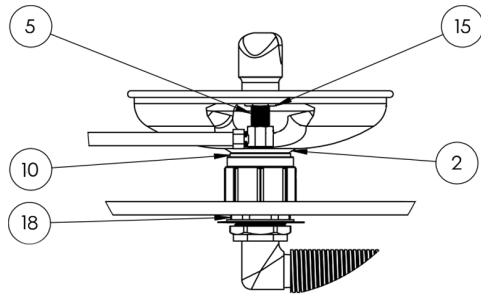
## 7700



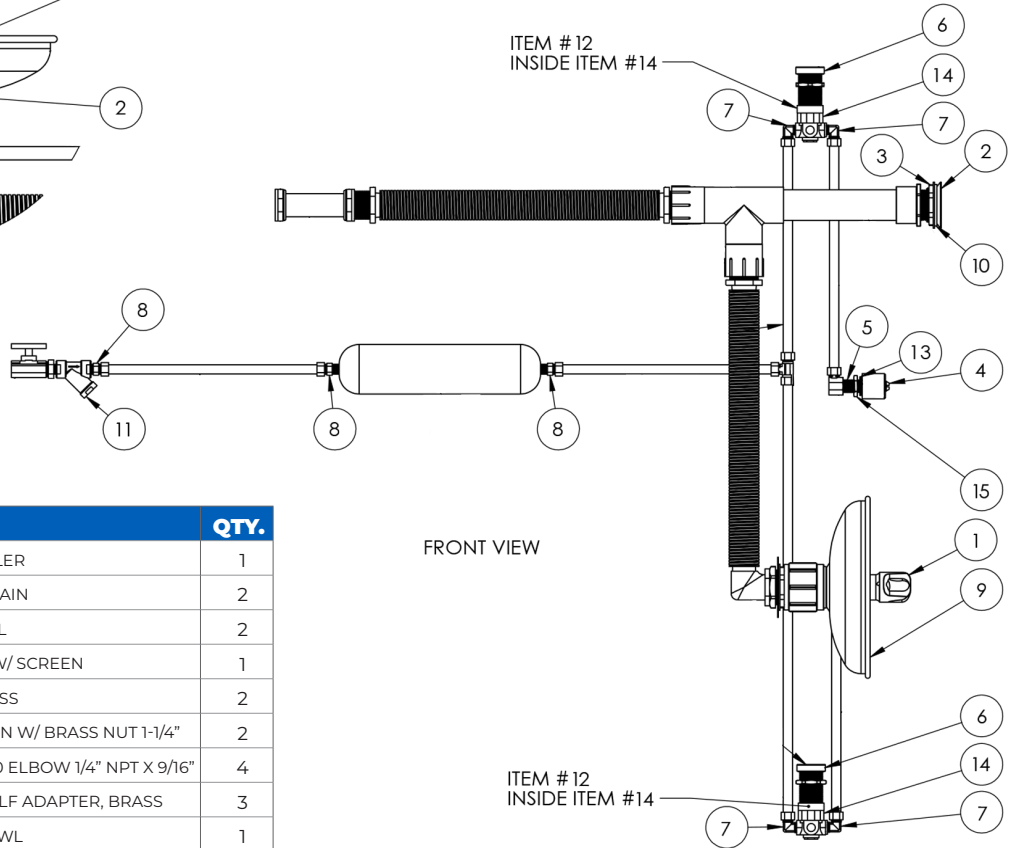
**7700-90**



## 7700 PLUMBING ASSEMBLY



BACK VIEW



FRONT VIEW

ID	PART #	DESCRIPTION	QTY.
1	S231-0212	SHIELD HEAD BUBBLER	1
2	S231-0260	CP THEFT PROOF DRAIN	2
3	S302-0001	LOCKNUT 1-1/2", STEEL	2
4	S310-0006	ORIFICE ASSEMBLY W/ SCREEN	1
5	S310-0012	NIPPLE, 3/8" X 2" BRASS	2
6	S319-0001	1-1/4" CP PUSH BUTTON W/ BRASS NUT 1-1/4"	2
7	S320-0010	ELBOW, LF BRASS, 90 ELBOW 1/4" NPT X 9/16"	4
8	S320-0012	1/4" MIP X 3/8" COMP LF ADAPTER, BRASS	3
9	S323-0001	SS DR FOUNTAIN BOWL	1
10	S336-0001	GASKET FOR BOWLS (1-1/2", W708), EPDM	2
11	S337-0041	Y STRAINER 1/4"	1
12	S337-0053	WASHER, EPDM, 1-1/4" OD X 7/8" ID	2
13	S346-0001	5/8" HOSE WASHER (HW-1)	1
14	S399-0002	1/4" FLUID PRESSURE REGULATOR	2
15	S920-0001	LOCKNUT, 3/8", BRASS	2

## RETIRED PLUMBING ASSEMBLY

ID	PART #	DESCRIPTION	QTY.
7	S323-0001	SS DR FOUNTAIN BOWL	1

