

8000 Series HANDWASHING STATION

Stern-Williams' first handwashing station is available as a wall-mounted fixture or an add-on to our drinking fountains or pedestals. Fabricated from steel and finished with a long-lasting powder coat, the Model 8100 is built to stand the test of time and endure weather.



FEATURES

- All steel heavy-duty construction with welded and ground joints for a clean and tidy appearance.
- Stainless Steel (-SS) bodies available for harsh coastal environments.
- Timed faucet button with automatic shut-off.
- Water pressure range of 30-80 PSI.
- Flow rate is 2.2 GPM with adjustable metering cycle of 10-30 seconds.
- Manual faucet won't malfunction from sun, overheating, or time.
- Extra deep splash guard and bowl.
- Wall mounted fountain available in visible and concealed installation options.
- Mounting bracket sold separately.
- Single bottom plate for simple future maintenance.
- All flow paths are lead-free with reinforced stainless-steel tubing that complies with NSF/ANSI/CAN 61: Q≤1 (AB100 standards).
- Standard Woodland Green Finish with Optional colors.





ORDERING OPTIONS

Part Number

8100

Pedestal mount handwash station



Part Number

8220

Wall mount fountain and handwash station with four bolt front mount

Part Number

8200

Wall mount handwash station with concealed mount

*Recommended DMF-610 mounting bracket sold separately

Part Number

8500

Pedestal mount fountain with handwash station



Part Number

8205

Wall mount handwash station with four-bolt front mount

Part Number

82

Additional feature of Stern-Williams drinking fountain and pedestal models

*see specific product spec sheets for ordering

Part Number

8215

Wall mount fountain and handwash station with concealed mount

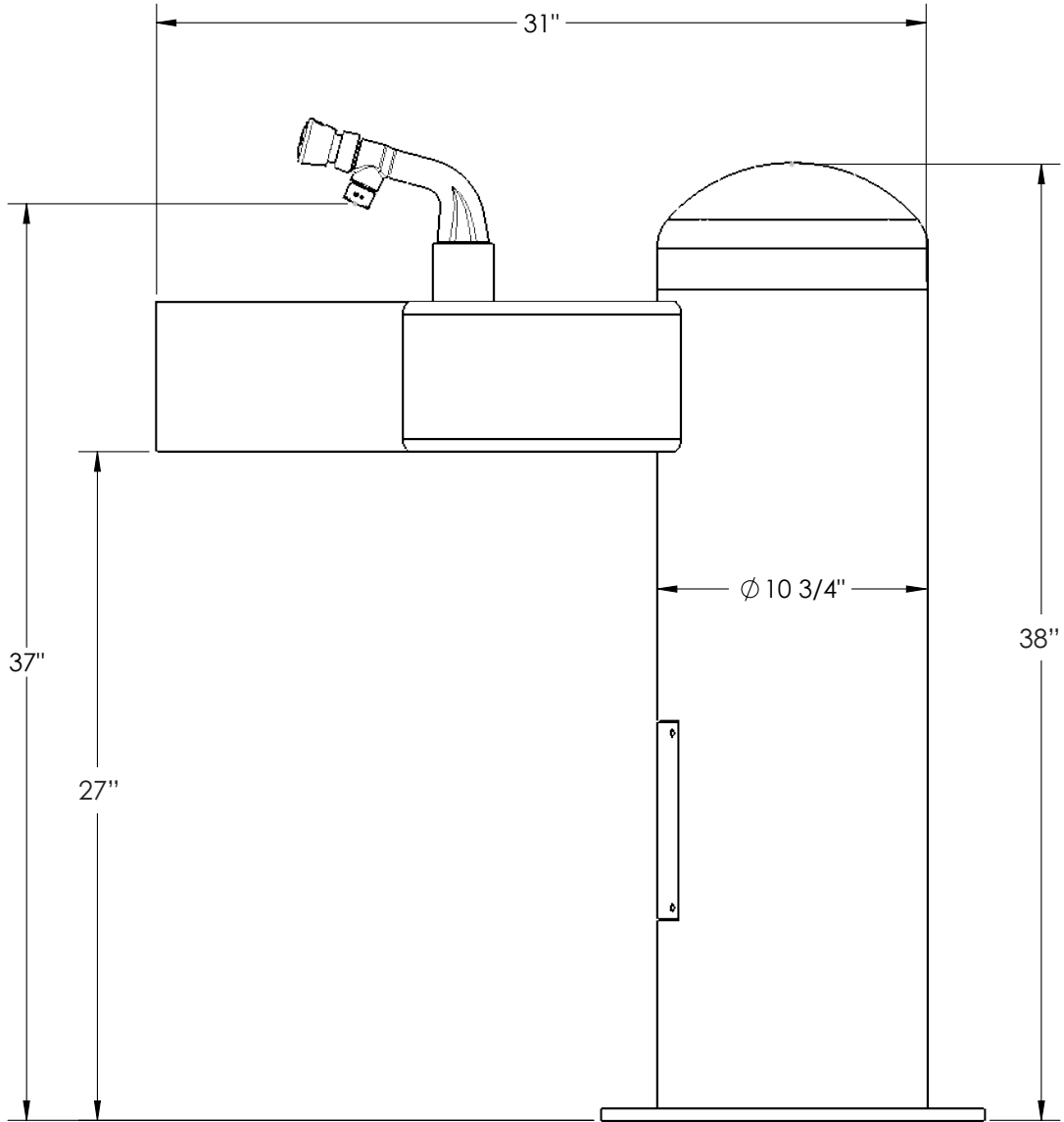
*Recommended DMF-610 mounting bracket sold separately

DIMENSIONS

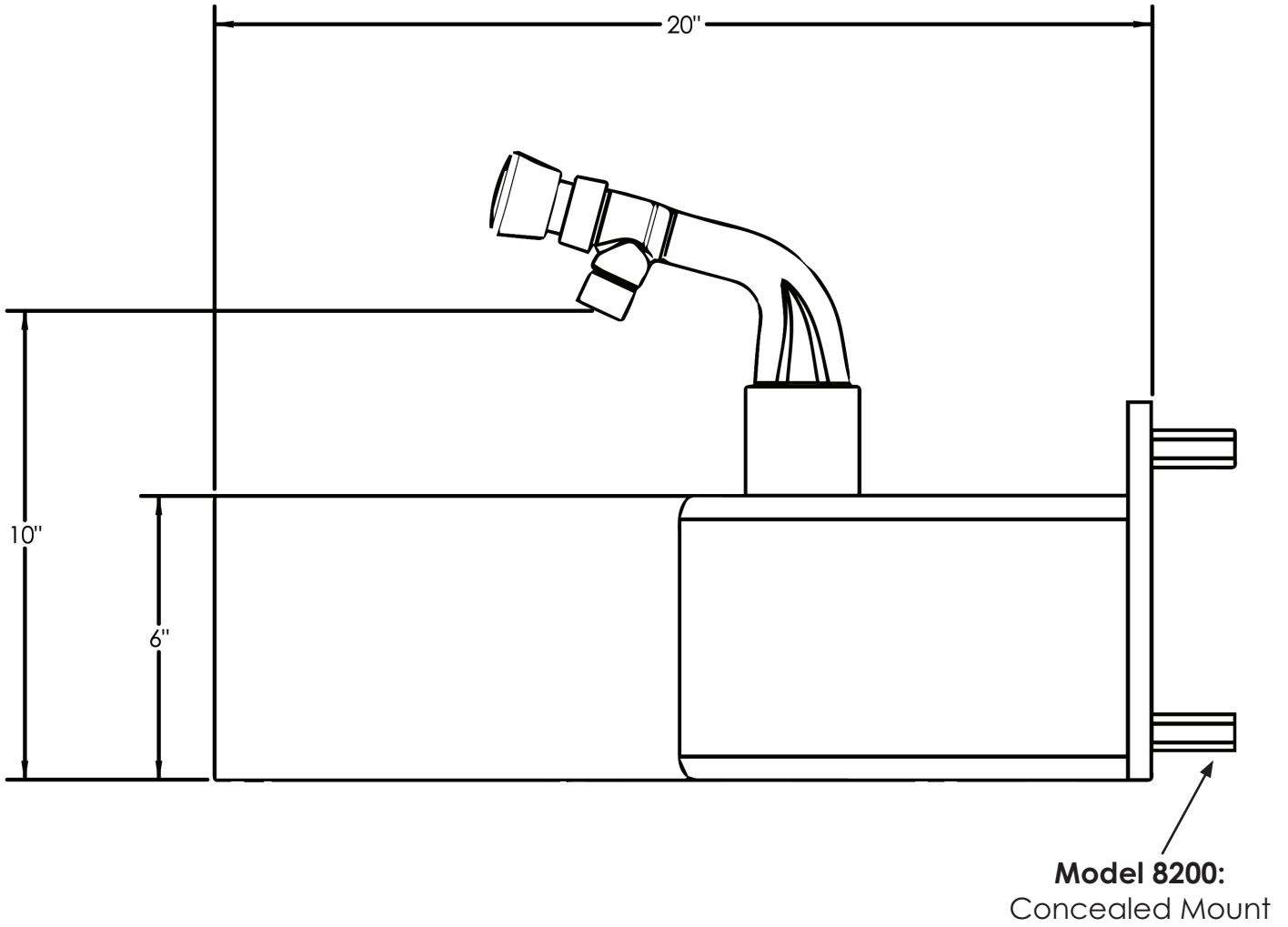
- 8100** 38"H x 31"L x 10 3/4" Dia. Body/Surface Mount
- 8200** 6"H x 20"L x 10 3/4" W
- 8205** 6"H x 20"L x 10 3/4" W
- 8215** 15"H x 20"L x 35"W
- 8220** 15"H x 20"L x 35"W
- 8500** 40"H x 30 3/4"L x 10 3/4" Dia. Body/Surface Mount
- 82** 6"H x 20"L x 10 3/4" W



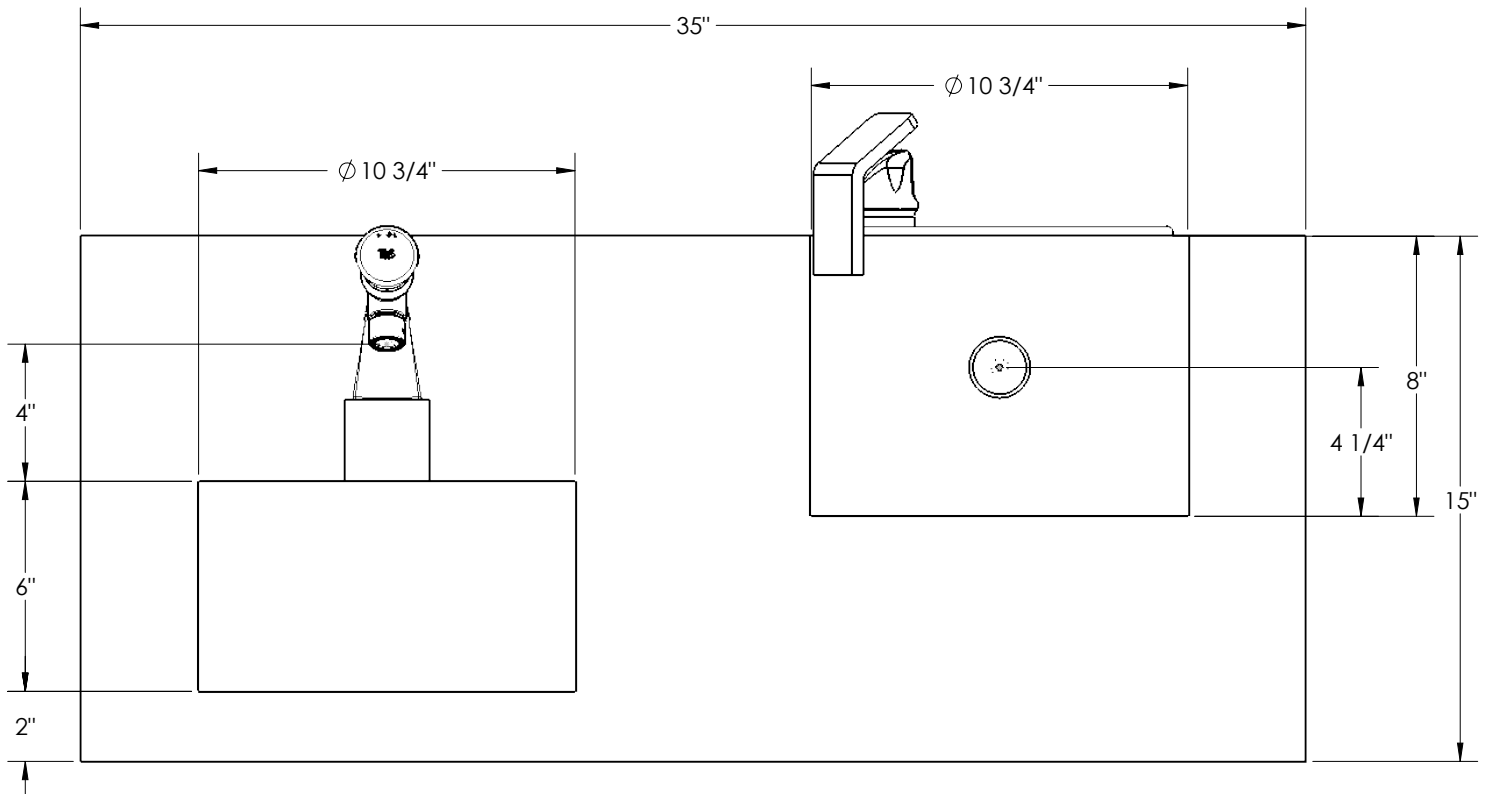
ADA Compliant



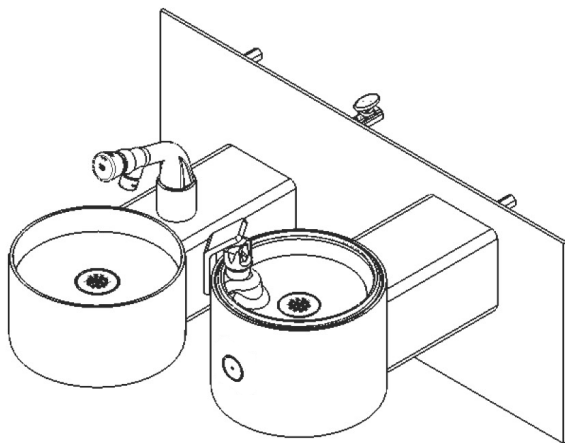
8200/8205



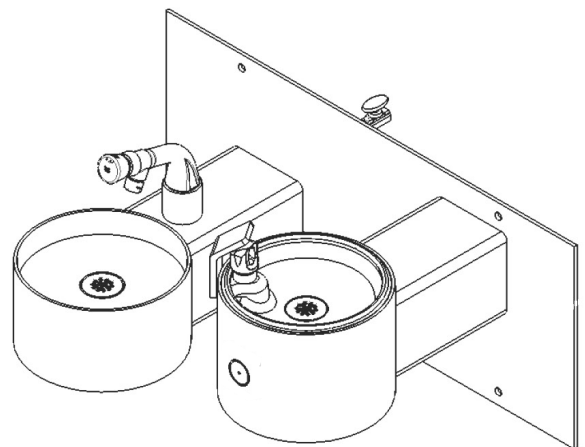
8220/8215

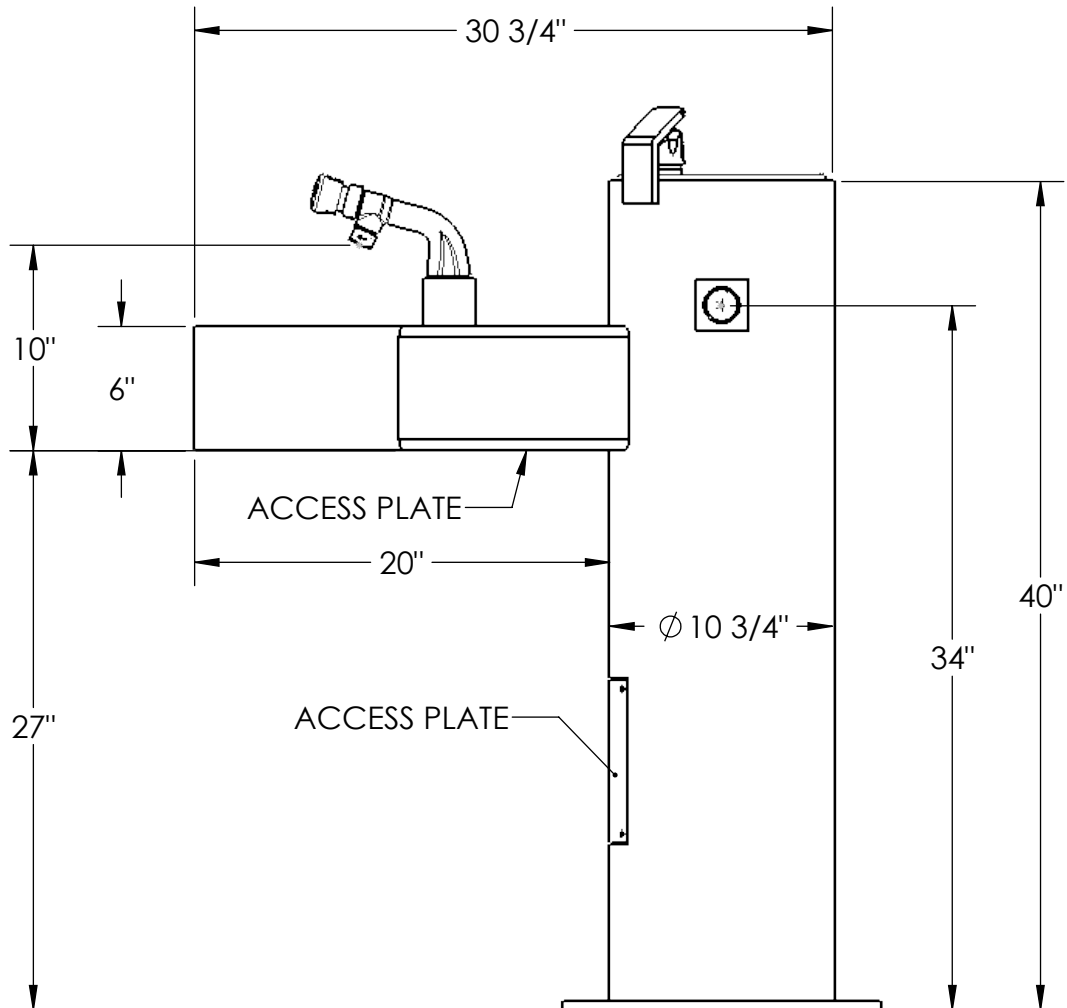


Model 8215:
Concealed Mount

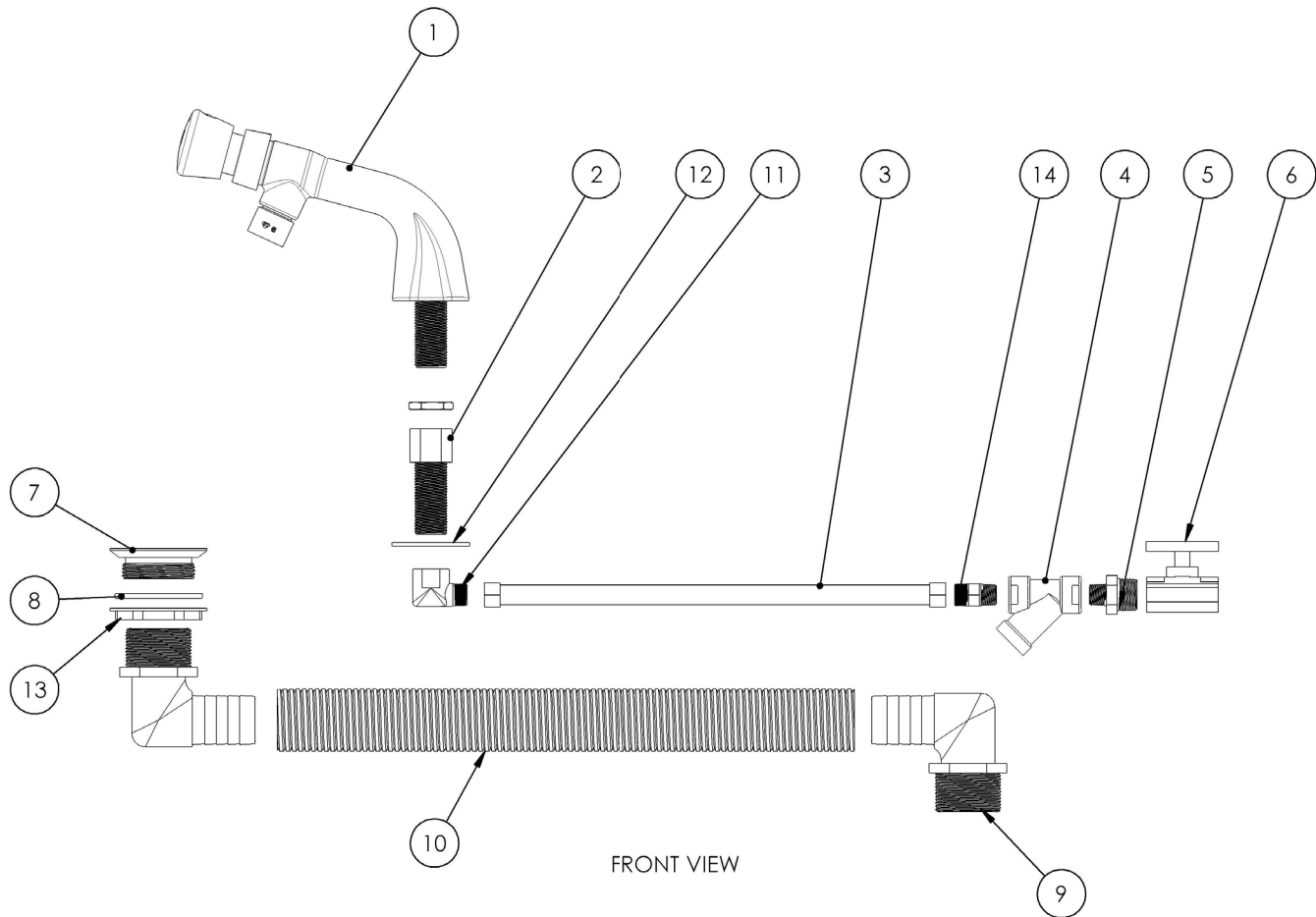


Model 8220:
4 Bolt Front Mount





8000 SERIES PARTS



ID	Part Number	Description	ID	Part Number	Description
1	S399-0006	Faucet assembly	9	S337-0005	Hose barb elbow
2	S310-0011	Hex adapter	10	S337-0025	Flex hose
3	S231-0196	Braided connector	11	S320-0019	LF Brass elbow
4	S337-0041	Y strainer	12	S320-0033	Brass washer
5	S310-0001	LF Brass adapter	13	S302-0001	Steel Locknut
6	S231-0221	Stop slot lockshield	14	S320-0012	LF Brass adapter
7	S231-0260	CP theft-proof drain			
8	S336-0001	Bowl gasket			