

MODEL 9000, 9002 & 9004-MWL PET FOUNTAINS

Our line of pet fountains are great for resorts, parks, and walking trails where pets are welcome. The Model 9000, 9002, and 9004 pet fountains are designed to comply with pet needs and withstand the roughest conditions. Model 9000 are single fountains, model 9002 are dual fountains and model 9004-MWL is a wall-mounted fountain. -FP are frost proof models, for models 9000 & 9002 only.

FEATURES

- All steel heavy-duty construction with welded and ground joints for a clean and tidy appearance
- Stainless Steel (-SS) bodies available for harsh coastal environments.
- Vandal resistant access plates for security and simple future maintenance.
- Water pressure range of 30-80 PSI
- Anchor installed mounting plate comes standard, ground installed mounting plate available as an option for installation assistance (SMP-6)
- Recessed push button is manufactured from chrome plated brass for reliability and long wear life
- Simple flow adjustment without requiring the dismantling of the fountain with a water flow of 0.5 GPM
- Timer controlled pet sprayer with recessed vandal resistant spray head (9000-92 only)
- Model 9000-66-SS includes a wash down station with 60" hose and self closing hose bibb with leash hook. Stainless steel core is standard
- Fountain Bowl is heavy duty 18 gauge stainless steel with brushed finish and vandal-resistant chrome plated brass strainer. A drain tool is included with each fountain
- All flow paths are lead-free with reinforced stainless-steel tubing that complies with NSF/ANSI/CAN 61: Q≤1 (AB100) standards
- In-line mesh screen Y strainer
- ½" Inlet stop valve for simple future maintenance
- 1 ¼" IPS waste pipes included on each fountain
- Standard Woodland green finish with optional colors available



(Shown above) Model 9000

ORDERING OPTIONS

Part Number

9000-



Optional

- 32-RCP:** Compression type hose end and VB
- 32-SC:** Self closing hose bibb
- 32-VP:** Recessed Vandal proof compression valve
- 32LK-RCP:** Compression type hose end VB loose key
- 35:** Recessed compression type
- 35-VP:** Recessed compression type VB key operated
- 40:** Commemorative plaque
- 84:** Water Filter
- 98:** Leash hook
- SMP-6:** Surface mounting plate
- SS:** Stainless steel body upgrade

9002-



Optional

- 32-RCP:** Compression type hose end and VB
- 32-SC:** Self closing hose bibb
- 32-VP:** Recessed Vandal proof compression valve
- 35:** Recessed compression type
- 35-VP:** Recessed compression type VB key operated
- 40:** Commemorative plaque
- 85:** Valve box
- 98:** Leash hook
- SS:** Stainless steel body upgrade

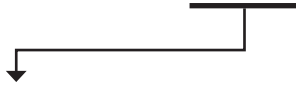
9004-MWL-



Optional

- 32-SC:** Self closing hose bibb
- 40:** Commemorative plaque
- 98:** Leash hook
- SS:** Stainless steel body upgrade

9000-FP-



Optional

- 40:** Commemorative plaque
- 98:** Leash hook

9002-FP-



Optional

- 40:** Commemorative plaque
- 85:** Valve box
- 98:** Leash hook

9000-66-SS-



Optional

- LVH:** Lever style hose bibb
- 40:** Commemorative plaque
- SMP-6:** Surface mounting plate

*A maximum of 3 options may be added to a fountain.

DIMENSIONS

These rough-in dimensions may vary 1/2" (13 mm) plus or minus

9000 32"H x 19-1/8"W x 6-5/8"Dia.

9000-66-SS 32"H x 19-1/8"W x 6-5/8"Dia.

9002 32"H x 31-5/8"W x 6-5/8" Dia.

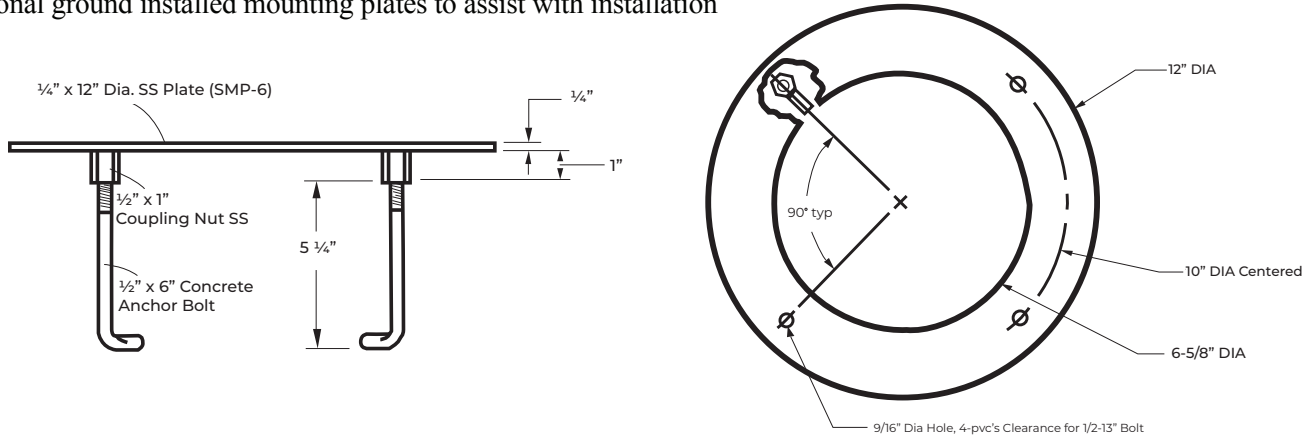
9004-MWL 32"H x 15-5/16"W x 6-5/8"Dia.

SPEC

Furnish and install Stern-Williams pet fountains (specify model # and options). Pet fountains shall be carbon steel or 304 stainless steel and a powder coated finish. Pet fountain shall have chrome plated brass bubblers. Water pressure range shall be 30-80 PSI. Pet fountains shall provide simple flow adjustment without requiring dismantling of fountain with a water flow of 0.5 GPM. Welded anchor base shall be 1/2" thick. Joints must be welded and ground smooth. Push buttons shall require less than 5 lbs of force in compliance with ADA code. Fountains shall be installed per manufacturers recommendations and instructions. Pet fountain flow paths are leadfree with reinforced stainless-steel tubing that complies with NSF/ANSI/CAN 61: Q≤1 (AB100) standards. Made in the USA.

SMP-6

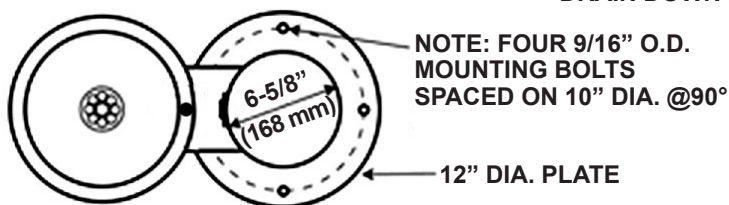
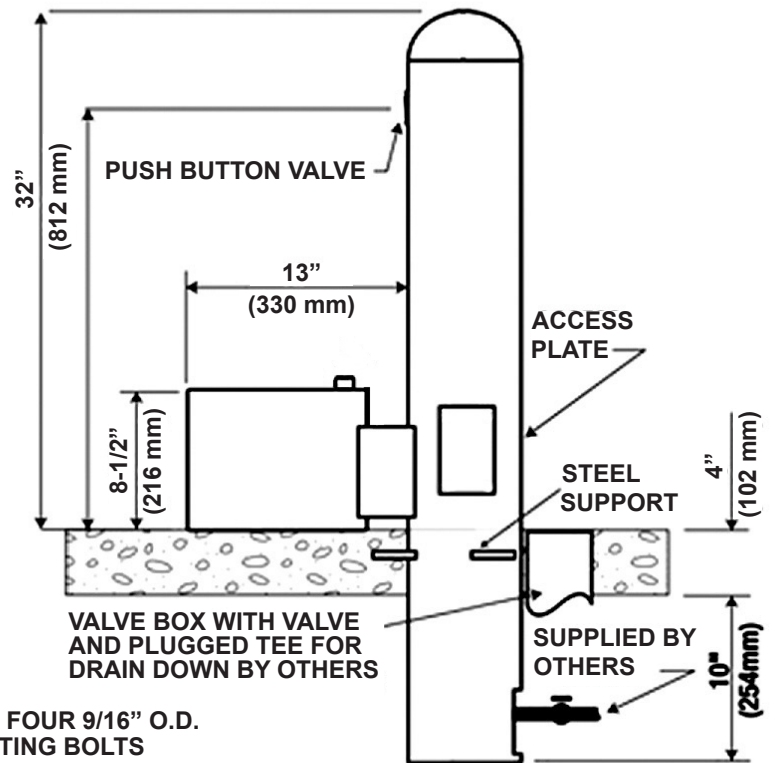
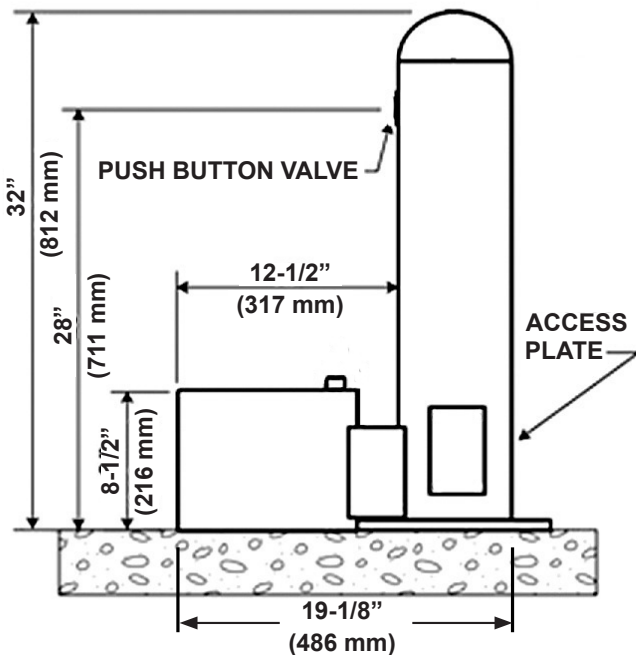
Optional ground installed mounting plates to assist with installation



9000

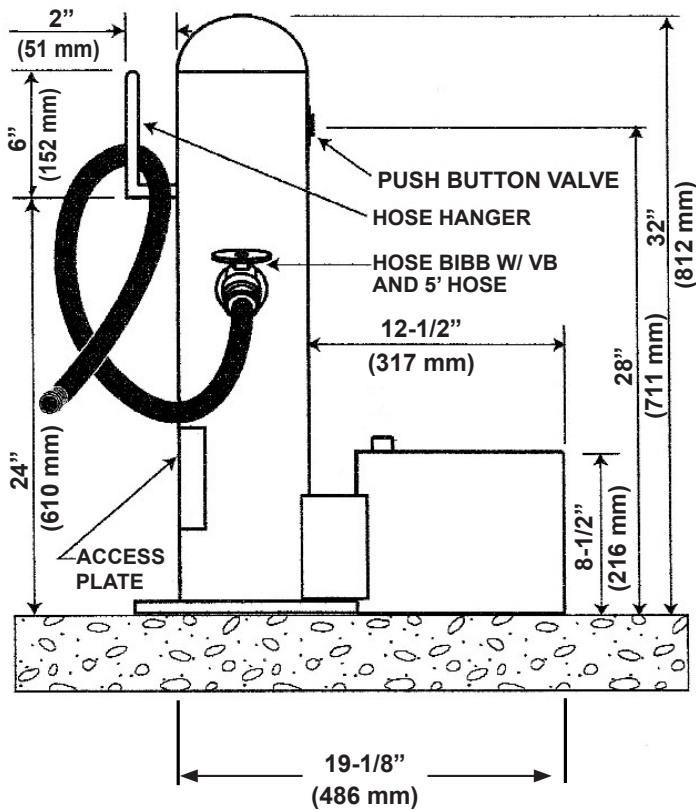
SURFACE MOUNT

BURY MOUNT

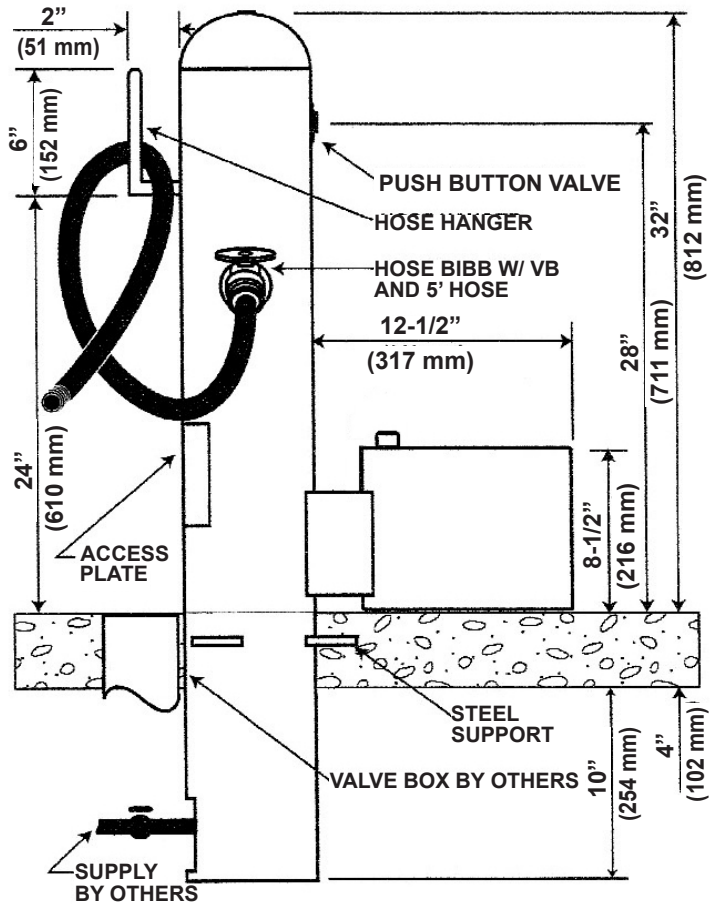


9000-66-SS

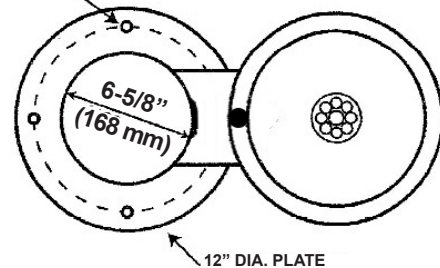
SURFACE MOUNT

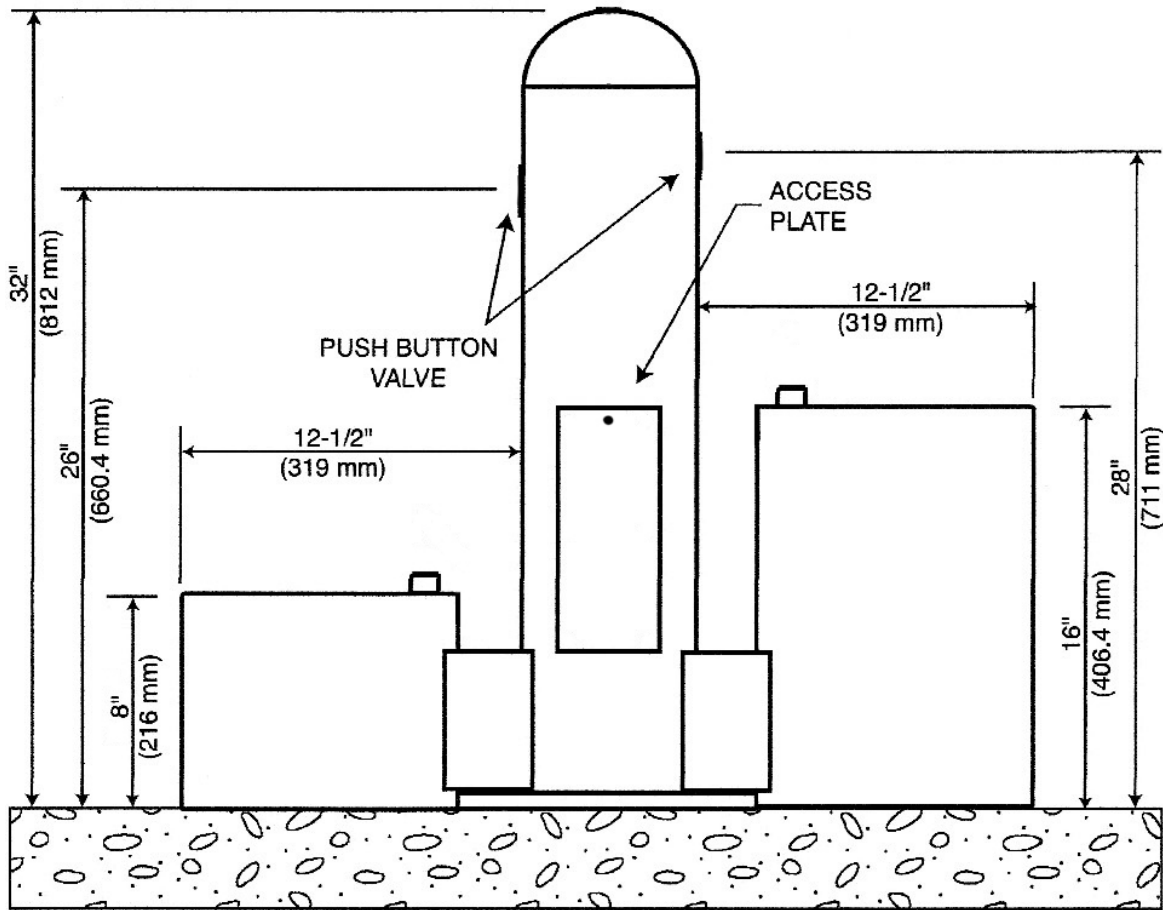


BURY MOUNT

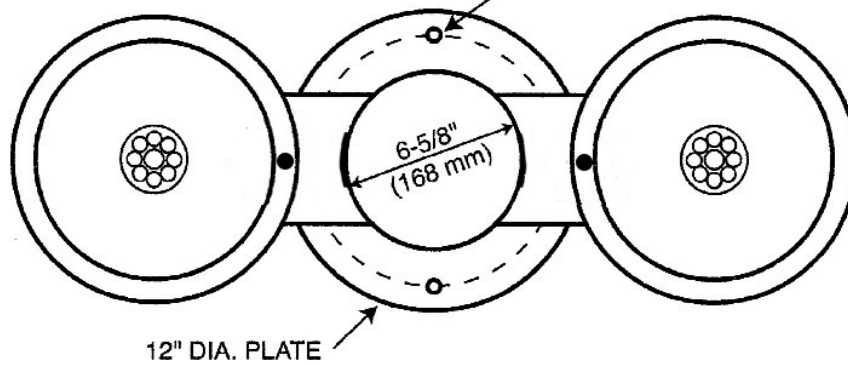


NOTE: FOUR 9/16" O.D. MOUNTING BOLTS SPACED ON 10" DIA. @90°

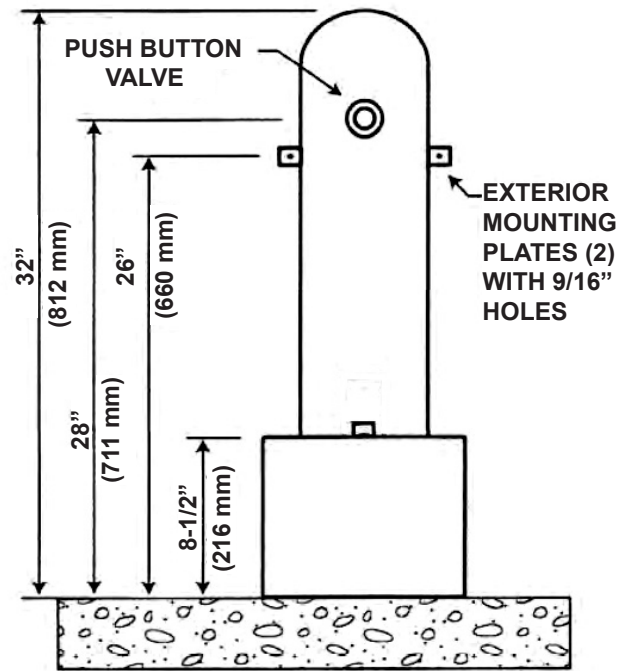
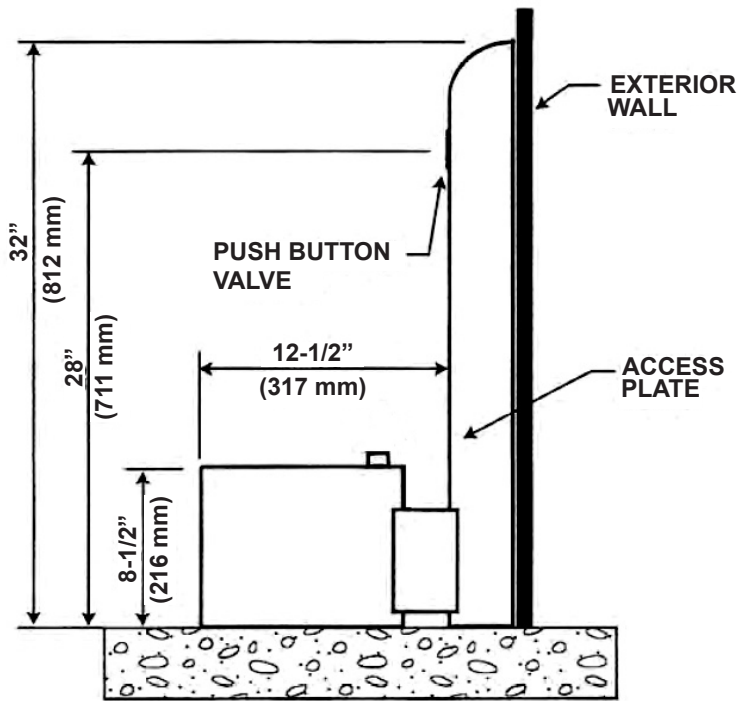




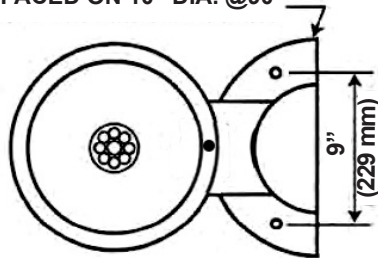
NOTE: FOUR 9/16" O.D. MOUNTING BOLTS SPACED ON 10" DIA. @ 90°



9004-MWL

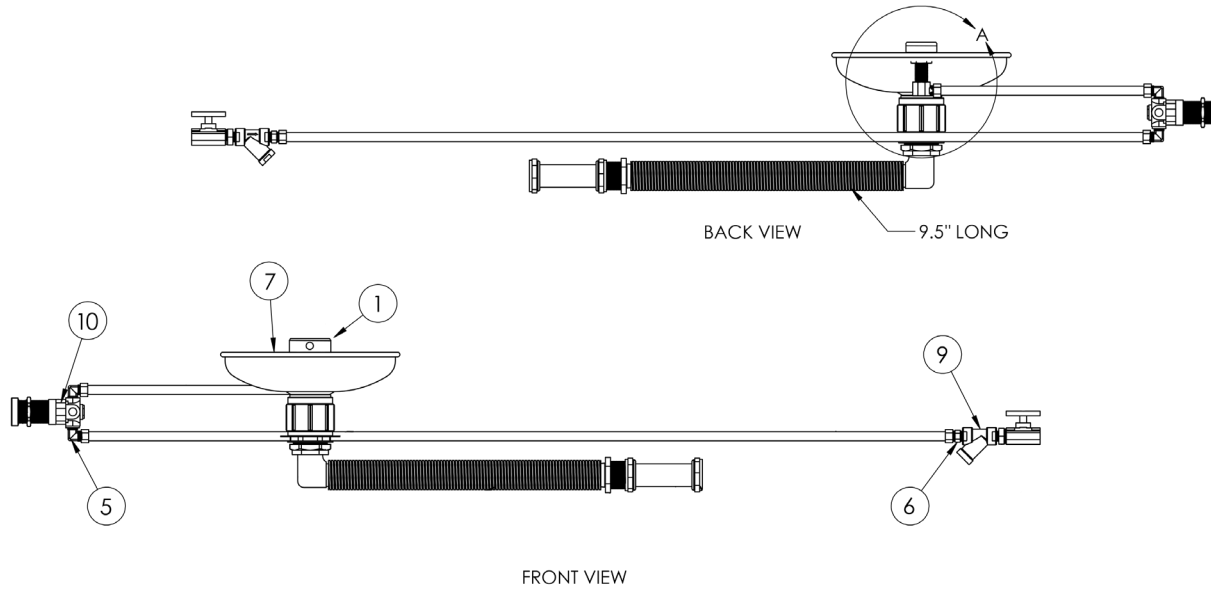
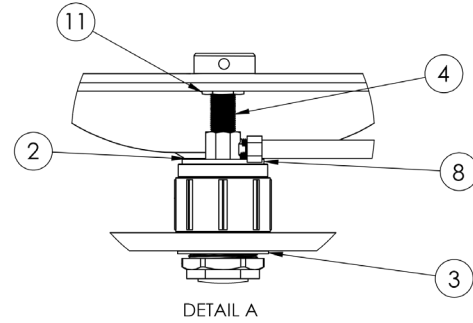


NOTE: FOUR 9/16" O.D. MOUNTING BOLTS SPACED ON 10" DIA. @90°



9000 PLUMBING ASSEMBLY

ID	PART #	DESCRIPTION	QTY.
1	S299-0002	K-9 BUBBLER	1
2	S231-0260	CP THEFT PROOF DRAIN	1
3	S302-0001	LOCKNUT 1-1/2", STEEL	1
4	S310-0012	NIPPLE, 3/8" X 2" LF BRASS	1
5	S320-0010	ELBOW, LF BRASS, 90 ELBOW 1/4" NPT 1-1/4"	2
6	S320-0012	1/4" MIP X 3/8" COMP ADAPTER, LF BRASS	1
7	S323-0057	SS DR FOUNTAIN BOWL	1
8	S336-0001	GASKET FOR BOWLS (1-1/2", W708), EPDM	1
9	S337-0041	Y STRAINER 1/4"	1
10	S399-0002	1/4" FLUID PRESSURE REGULATOR	1
11	S920-0001	LOCKNUT, 3/8", BRASS	1



RETIRED PLUMBING ASSEMBLY

ID	PART #	DESCRIPTION	QTY.
1	S302-0004	K-9 BUBBLER	1
7	S323-0001	SS DR FOUNTAIN BOWL	1

