

MODEL HSC-400, HSC-430, HSC-460

COMPLETE SHOWER CABINET - WHEELCHAIR ACCESSIBLE MODELS

We suggest a floor drain at the entrance to this model. Includes a roll-in type Terrazzo shower floor. Includes SC-140-SS pressure balanced valve, with separate stops. Hand held shower combination with swivel fitting, 69" flexible C.P. brass hose and in-line vacuum breaker. Retractable phenolic shower seat. Horizontal and vertical stainless steel grab bars with concealed mounting. Heavy duty GSA approved white curtain and stainless steel rod. Standard wall finish is white powder coated metal.

FEATURES

- Terrazzo floor has 2" threshold and will require recess in floor for ADA accessibility
- Two stainless steel grab bars with concealed mounting
- Retractable handicapped shower seat with stainless steel frame
- Specify R or L hand drilling

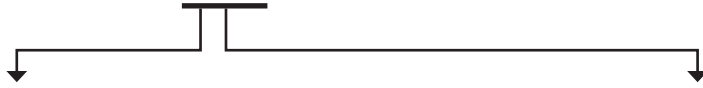


(Shown above) Model HSC-430

ORDERING OPTIONS

Part Number

HSC-XX-



Optional

- HSC-TCLF-430:** Top cover w/ light fixture (HSC-430 Only)
- HSC-TCLF-460:** Top cover w/ light fixture (HSC-460 Only)
- SC-6:** Filler strip - Front
- SC-7:** Filler strip - Back
- SC-JFS:** Joint filler strip*
- FB:** Filler block*
- SC-140-TCVH:** Thermostatic valve
- DC:** Attached dressing compartment*
- RDM:** Collapsible dam

Optional Wall Finishes

- SS:** Stainless steel
- SPC:** Solid phenolic core *
- HDP:** High density polymer*

*Layout sketch required

A maximum of 3 options may be added

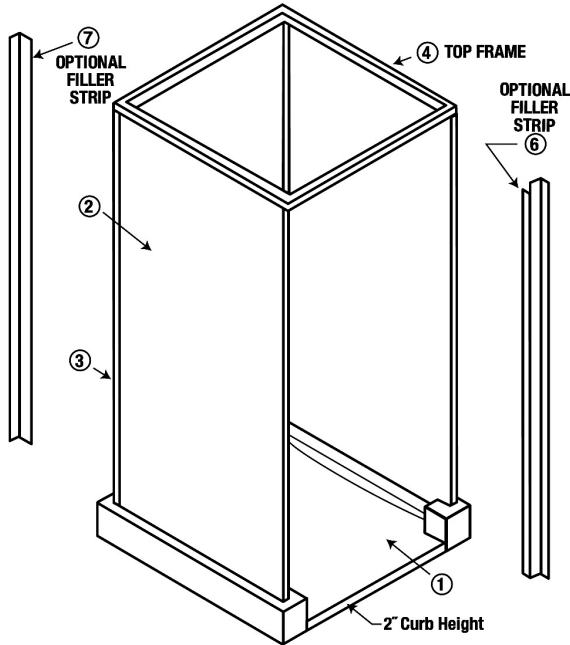
DIMENSIONS

All dimensions subject to manufacturing variance of plus or minus 1/4" (6 mm)

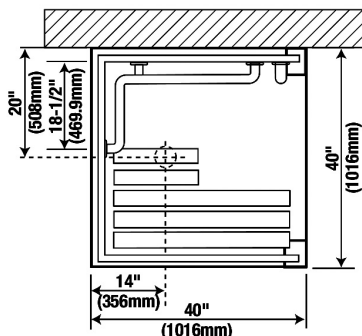
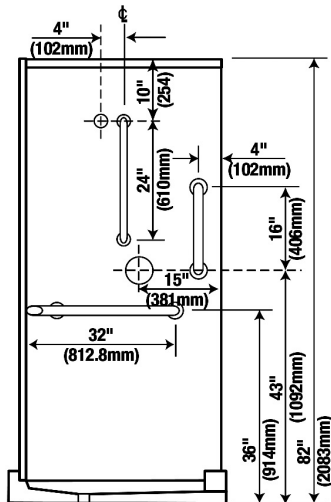
HSC-400 40x40x82"

HSC-430 65x33x82"

HSC-460 65x39x82"

HSC-400

STANDARD EQUIPMENT FOR FIELD INSTALLATION

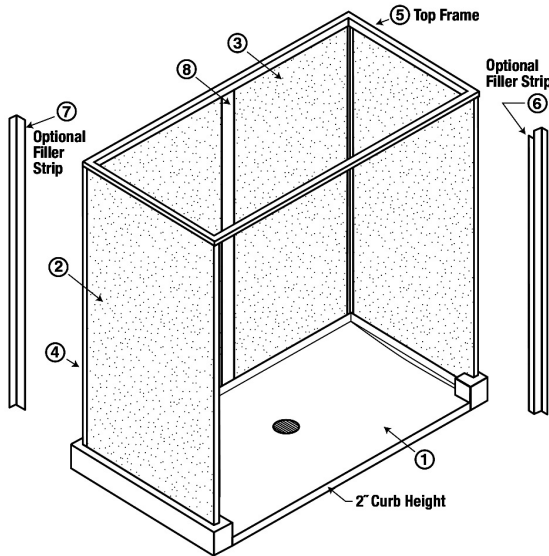
KEY NO.	QTY.	DESCRIPTION
1	1	40" X 40" BASE
2	3	36-9/16" X 77-3/16" PANEL
3	2	CORNER JOINT
4	1	TOP FRAME
—	1	ROD AND CURTAIN
—	1	PRESSURE BALANCED VALVE WITH STOPS
—	1	HAND HELD SHOWER HEAD WITH SWIVEL CONNECTOR, SUPPLY ELL, VACUUM BREAKER AND 69" C.P. FLEXIBLE BRASS HOSE
—	1	24" C.P. BRASS SLIDE BAR WITH ADJUSTABLE SHOWER HEAD MOUNTING BRACKET AND MOUNTING SCREWS.
—	1	HORIZONTAL WRAP AROUND STAINLESS STEEL GRAB BAR
—	1	VERTICAL STAINLESS STEEL GRAB BAR
—	1	RETRACTABLE HANDICAPPED SHOWER SEAT WITH STAINLESS STEEL FRAME


FOR CORRECT INSTALLATION:

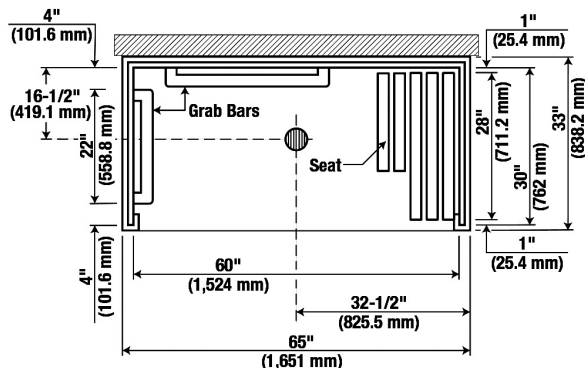
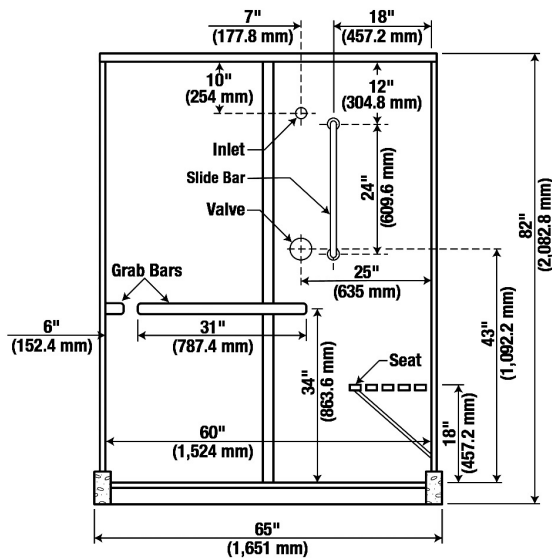
1. ESTABLISH PROPER CLEARANCE BETWEEN SHOWER BASE AND WALLS.
2. SET SHOWER BASE ON MORTAR BED AND CAREFULLY LEVEL TO AVOID PROBLEMS OF UNEVEN SUB FLOOR.

WE SUGGEST A FLOOR DRAIN AT THE ENTRANCE TO THE WHEELCHAIR SHOWER FLOOR
NOTE:

1. For Barrier-Free installation Contractor shall provide recess for curb.


STANDARD EQUIPMENT FOR FIELD INSTALLATION

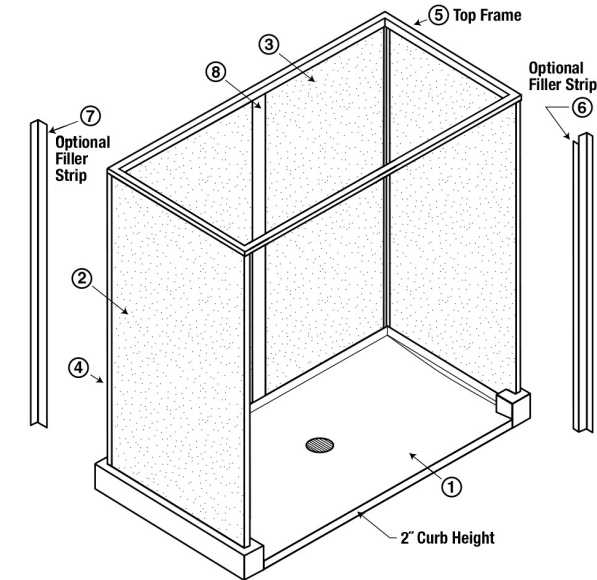
KEY		
NO.	QTY.	DESCRIPTION
1	1	65" X 33" BASE
2	2	30" X 77-3/16" PANEL
3	1	60" X 77-3/16" BACK PANEL
4	2	CORNER JOINT
5	1	TOP FRAME
—	1	ROD AND CURTAIN
—	1	PRESSURE BALANCED VALVE WITH STOPS
—	1	HAND HELD SHOWER HEAD WITH SWIVEL CONNECTOR, SUPPLY ELL, VACUUM BREAKER AND 69" C.P. FLEXIBLE BRASS HOSE
—	1	24" C.P. BRASS SLIDE BAR WITH ADJUSTABLE SHOWER HEAD MOUNTING BRACKET AND MOUNTING SCREWS.
—	2	HORIZONTAL STAINLESS STEEL GRAB BAR
8	1	CHANNEL BRACKET
—	1	RETRACTABLE HANDICAPPED SHOWER SEAT WITH STAINLESS STEEL FRAME


FOR CORRECT INSTALLATION:

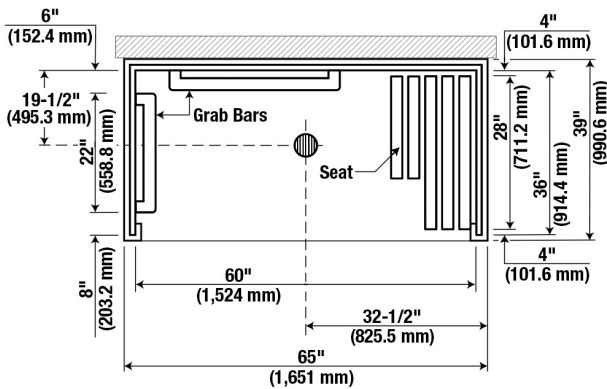
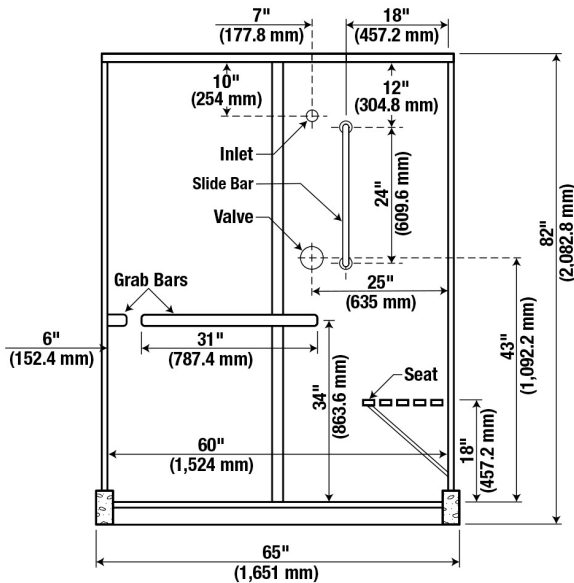
1. ESTABLISH PROPER CLEARANCE BETWEEN SHOWER BASE AND WALLS.
2. SET SHOWER BASE ON MORTAR BED AND CAREFULLY LEVEL TO AVOID PROBLEMS OF UNEVEN SUB FLOOR.

WE SUGGEST A FLOOR DRAIN AT THE ENTRANCE TO THE WHEELCHAIR SHOWER FLOOR
NOTE:

1. For Barrier-Free installation Contractor shall provide recess for curb.


STANDARD EQUIPMENT FOR FIELD INSTALLATION

KEY		
NO.	QTY.	DESCRIPTION
1	1	65" X 39" BASE
2	2	36" X 77-3/16" PANEL
3	1	60" X 77-3/16" BACK PANEL
4	2	CORNER JOINT
5	1	TOP FRAME
—	1	ROD AND CURTAIN
—	1	PRESSURE BALANCED VALVE WITH STOPS
—	1	HAND HELD SHOWER HEAD WITH SWIVEL CONNECTOR, SUPPLY ELL, VACUUM BREAKER AND 69" C.P. FLEXIBLE BRASS HOSE
—	1	24" C.P. BRASS SLIDE BAR WITH ADJUSTABLE SHOWER HEAD MOUNTING BRACKET AND MOUNTING SCREWS.
—	2	HORIZONTAL STAINLESS STEEL GRAB BAR
8	1	CHANNEL BRACKET
—	1	RETRACTABLE HANDICAPPED SHOWER SEAT WITH STAINLESS STEEL FRAME


FOR CORRECT INSTALLATION:

1. ESTABLISH PROPER CLEARANCE BETWEEN SHOWER BASE AND WALLS.
2. SET SHOWER BASE ON MORTAR BED AND CAREFULLY LEVEL TO AVOID PROBLEMS OF UNEVEN SUB FLOOR.

WE SUGGEST A FLOOR DRAIN AT THE ENTRANCE TO THE WHEELCHAIR SHOWER FLOOR
NOTE:

1. For Barrier-Free installation Contractor shall provide recess for curb.