



MODEL HSC-143, HSC-145, HSC-630, HSC-660

COMPLETE SHOWER CABINET PHYSICALLY CHALLENGED TRANSFER MODELS

This model is designed with accessibility and functionality in mind. Terrazzo floor has stainless steel cap and ½” entry threshold when installed per specification guidelines.

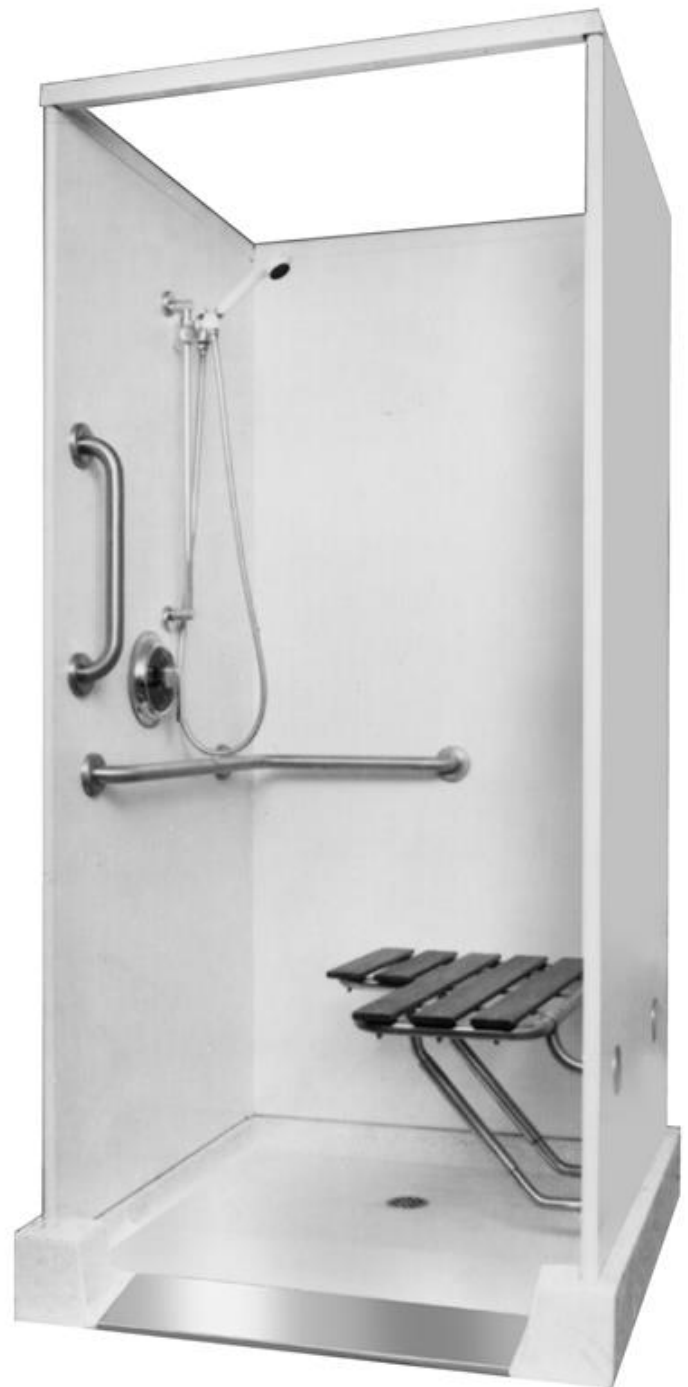
The shower’s standard wall finish features durable, white powder-coated metal panels. It comes equipped with the SC-140-SS pressure-balanced mixing valve, which includes integrated service stops for maintenance ease.

Included is a hand-held shower head with a swivel connection, a 69” flexible chrome-plated brass hose, and an in-line vacuum breaker. A stainless steel curtain rod and GSA-approved privacy curtain are also provided.

For accessibility, the unit features a retractable shower seat with a robust stainless steel frame, along with two stainless steel grab bars for reliable support. We recommend installing a floor drain at the unit entrance.

FEATURES

- Specify R or L hand drilling

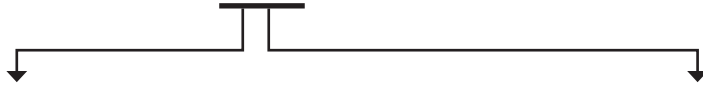


(Shown above) Model HSC-143

ORDERING OPTIONS

Part Number

HSC-XXX-



Optional

- SC-TC:** Top Only
- SC-TCLF:** Top and dome light
- SC-7:** Corner filler strip
- SC-JFS:** Joint filler strip*
- FB:** Filler block*
- SC-140-TCVH:** Thermostatic valve
- DC:** Attached dressing compartment*

Optional Wall Finishes

- SS:** Stainless steel
- SPC:** Solid phenolic core *
- HDP:** High density polymer*

*Layout sketch required

A maximum of 3 options may be added

DIMENSIONS

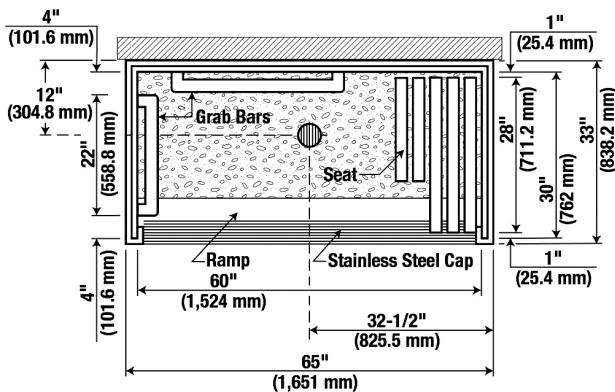
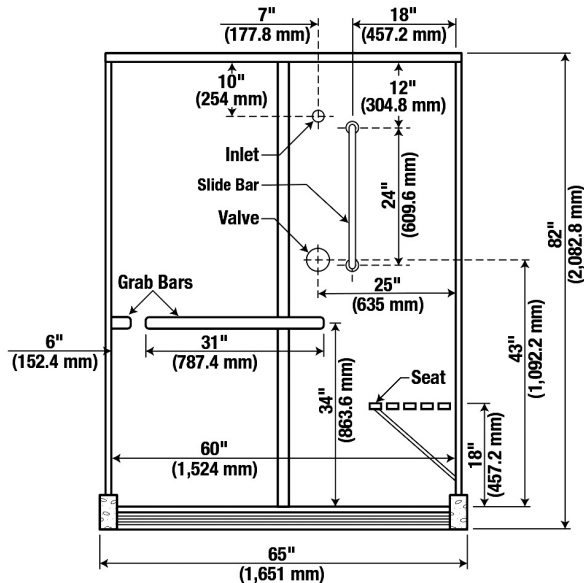
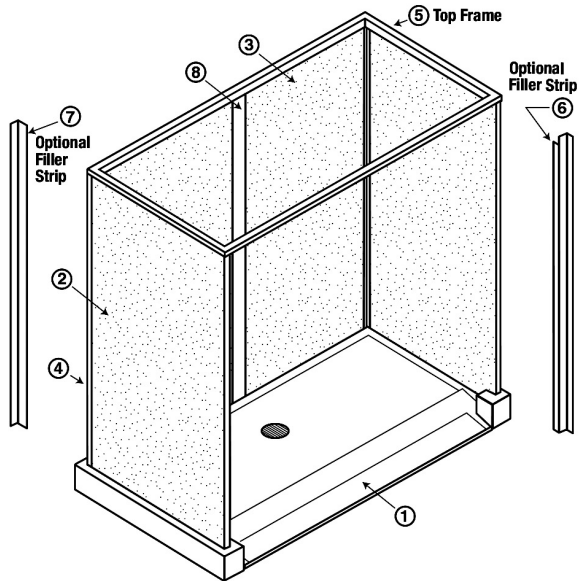
All dimensions subject to manufacturing variance of plus or minus 1/4" (6 mm)

HSC-143 40x40x82"

HSC-145 40x48x82"

HSC-630 65x33x82"

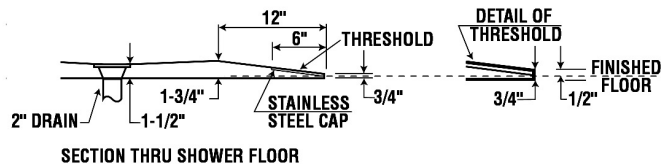
HSC-660 65x39x82"


STANDARD EQUIPMENT FOR FIELD INSTALLATION

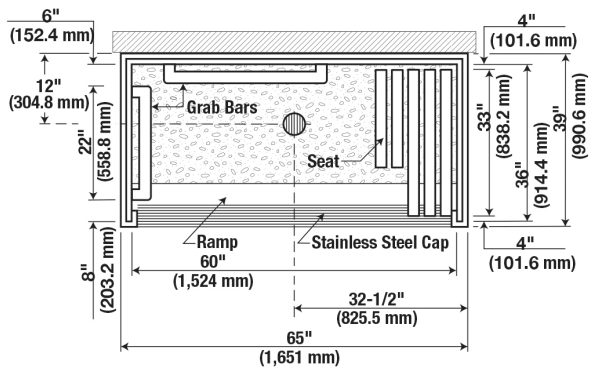
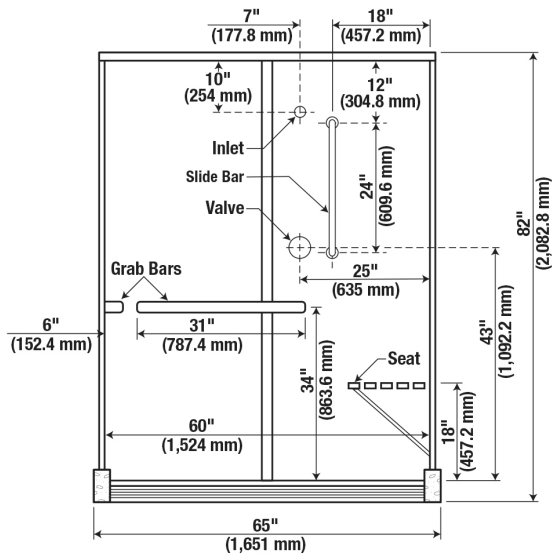
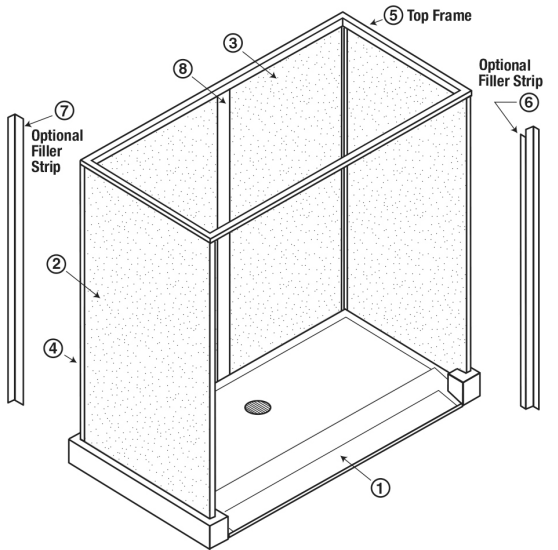
| KEY NO. | QTY. | DESCRIPTION |
|---------|------|--|
| 1 | 1 | 65" X 33" BASE |
| 2 | 2 | 30" X 77-3/16" PANEL |
| 3 | 1 | 60" X 77-3/16" BACK PANEL |
| 4 | 2 | CORNER JOINT |
| 5 | 1 | TOP FRAME |
| — | 1 | ROD AND CURTAIN |
| — | 1 | PRESSURE BALANCED VALVE WITH STOPS |
| — | 1 | HAND HELD SHOWER HEAD WITH SWIVEL CONNECTOR, SUPPLY ELL, VACUUM BREAKER AND 69" C.P. FLEXIBLE BRASS HOSE |
| — | 1 | 24" C.P. BRASS SLIDE BAR WITH ADJUSTABLE SHOWER HEAD MOUNTING BRACKET AND MOUNTING SCREWS. |
| — | 2 | HORIZONTAL STAINLESS STEEL GRAB BAR |
| 8 | 1 | CHANNEL BRACKET |
| — | 1 | RETRACTABLE HANDICAPPED SHOWER SEAT WITH STAINLESS STEEL FRAME |

FOR CORRECT INSTALLATION:

1. ESTABLISH PROPER CLEARANCE BETWEEN SHOWER BASE AND WALLS.
2. SET SHOWER BASE ON MORTAR BED AND CAREFULLY LEVEL TO AVOID PROBLEMS OF UNEVEN SUB FLOOR.


Note:

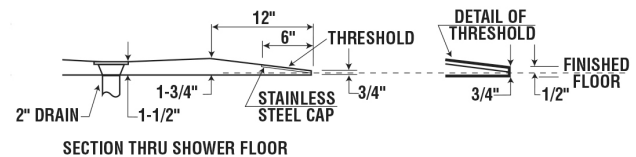
1. This style floor was designed to be set 1/4" deep from the top of the finished floor.
2. It is recommend that a floor drain at or near the entrance be included.
3. Collapsible water dam available (-RDM)


STANDARD EQUIPMENT FOR FIELD INSTALLATION

| KEY | | |
|------------|-------------|--|
| NO. | QTY. | DESCRIPTION |
| 1 | 1 | 65" X 39" BASE |
| 2 | 2 | 30" X 77-3/16" PANEL |
| 3 | 1 | 60" X 77-3/16" BACK PANEL |
| 4 | 2 | CORNER JOINT |
| 5 | 1 | TOP FRAME |
| — | 1 | ROD AND CURTAIN |
| — | 1 | PRESSURE BALANCED VALVE WITH STOPS |
| — | 1 | HAND HELD SHOWER HEAD WITH SWIVEL CONNECTOR, SUPPLY ELL, VACUUM BREAKER AND 69" C.P. FLEXIBLE BRASS HOSE |
| — | 1 | 24" C.P. BRASS SLIDE BAR WITH ADJUSTABLE SHOWER HEAD MOUNTING BRACKET AND MOUNTING SCREWS. |
| — | 2 | HORIZONTAL STAINLESS STEEL GRAB BAR |
| 8 | 1 | CHANNEL BRACKET |
| — | 1 | RETRACTABLE HANDICAPPED SHOWER SEAT WITH STAINLESS STEEL FRAME |

FOR CORRECT INSTALLATION:

1. ESTABLISH PROPER CLEARANCE BETWEEN SHOWER BASE AND WALLS.
2. SET SHOWER BASE ON MORTAR BED AND CAREFULLY LEVEL TO AVOID PROBLEMS OF UNEVEN SUB FLOOR.


Note:

1. This style floor was designed to be set 1/4" deep from the top of the finished floor.
2. It is recommend that a floor drain at or near the entrance be included.
3. Collapsible water dam available (-RDM)
4. Manufacturing variance of +/- 1/4".