



## MODEL SC-32, SC-36, SC-38, SC-39 & SC-40

COMPLETE SHOWER CABINET STANDARD MODELS

Includes Terrazzo Shower Floor, SC-140 pressure balanced valve and head, soap dish, rod and curtain. Standard wall finish is white powder coated metal.

Available in Front and Double Entry as well as Neo-Corner

### FEATURES

- Specify R or L hand drilling.



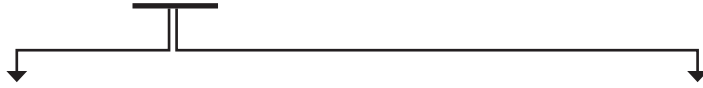
(Shown above) Model SC-40

## ORDERING OPTIONS

---

Part Number

**SC-XX-**



**Optional**

- SC-TC-36:** Top Only
- SC-TCLF-32:** Top and dome light
- SC-TCLF-36:** Top and dome light
- SC-7:** Corner filler strip
- SC-JFS:** Joint filler strip\*
- FB:** Filler block\*
- SC-140-TCVH:** Thermostatic valve
- DC:** Attached dressing compartment\*

**Optional Wall Finishes**

- SS:** Stainless steel
- SPC:** Solid phenolic core \*
- HDP:** High density polymer\*

\*Layout sketch required

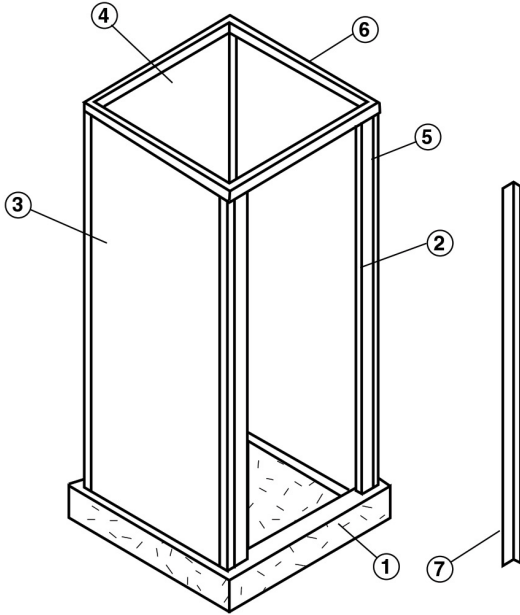
A maximum of 3 options may be added to a fountain.

## DIMENSIONS

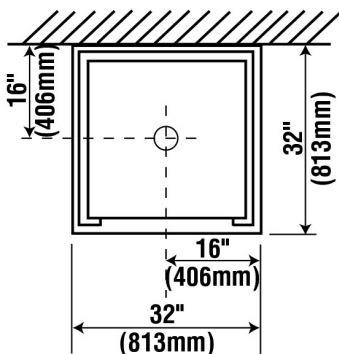
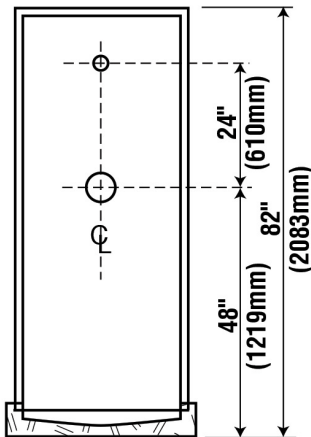
---

All dimensions subject to manufacturing variance of plus or minus 1/4" (6 mm)

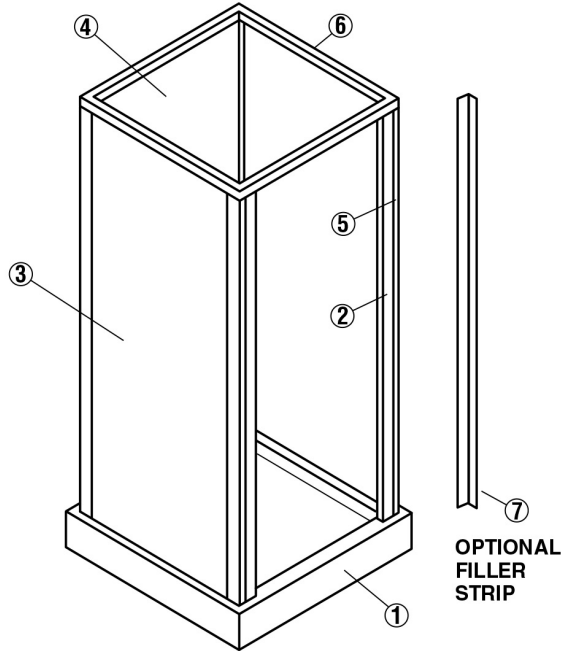
- SC-32** 32x32x82" Front entry.
- SC-36** 36x36x82" Front entry.
- SC-38** 36x36x82" Double entry.
- SC-39** 36x36x82" Double entry corner type.
- SC-40** 40x40x82" Neo-corner.


**STANDARD EQUIPMENT FOR FIELD INSTALLATION**

KEY NO.	QTY.	DESCRIPTION
1	1	32 x 32" BASE
2	2	1-1/2" x 77-3/16" FRONT PANEL
3	2	27-5/8 x 77-3/16" SIDE PANEL
4	1	27-5/8 x 77-3/16" BACK PANEL
5	4	CORNER JOINT
6	1	TOP FRAME
-	1	ROD AND CURTAIN
-	1	PRESSURE BALANCED VALVE AND HEAD
-	1	SOAP DISH

**OPTIONAL FILLER STRIP**

**FOR CORRECT INSTALLATION:**

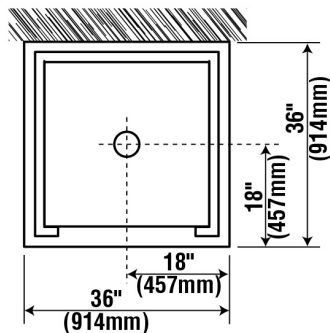
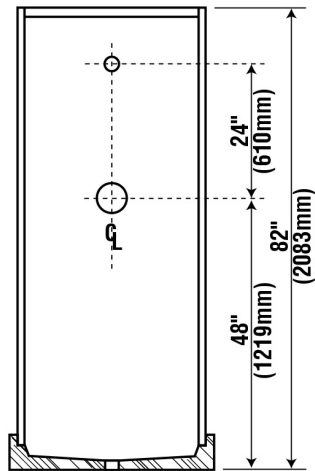
1. ESTABLISH PROPER CLEARANCE BETWEEN SHOWER BASE AND WALLS.
2. SET SHOWER BASE ON MORTAR BED AND CAREFULLY LEVEL TO AVOID PROBLEMS OF UNEVEN SUB FLOOR.

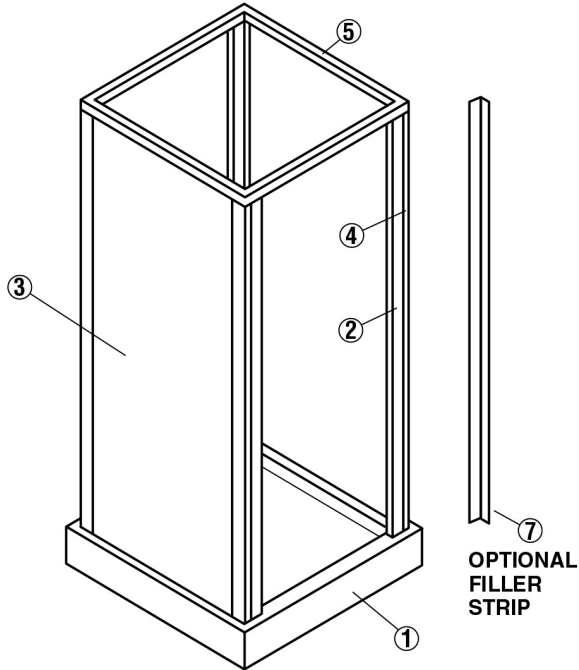

**STANDARD EQUIPMENT FOR FIELD INSTALLATION**

KEY NO.	QTY.	DESCRIPTION
1	1	36 x 36" BASE
2	2	3-5/16" x 77-3/16" FRONT PANEL
3	2	31-5/8 x 77-3/16" SIDE PANEL
4	1	31-5/8 x 77-3/16" BACK PANEL
5	4	CORNER JOINT
6	1	TOP FRAME
-	1	ROD AND CURTAIN
-	1	PRESSURE BALANCED VALVE AND HEAD
-	1	SOAP DISH

**FOR CORRECT INSTALLATION:**

1. ESTABLISH PROPER CLEARANCE BETWEEN SHOWER BASE AND WALLS.
2. SET SHOWER BASE ON MORTAR BED AND CAREFULLY LEVEL TO AVOID PROBLEMS OF UNEVEN SUB FLOOR.

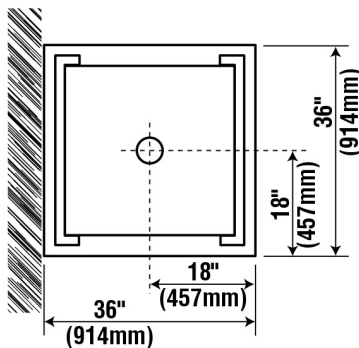
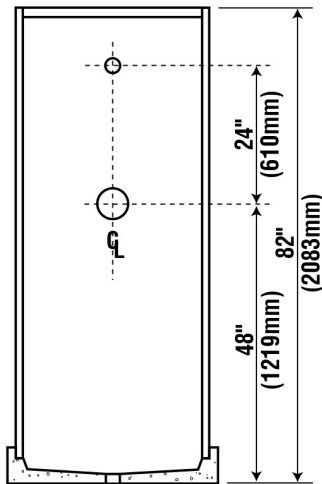


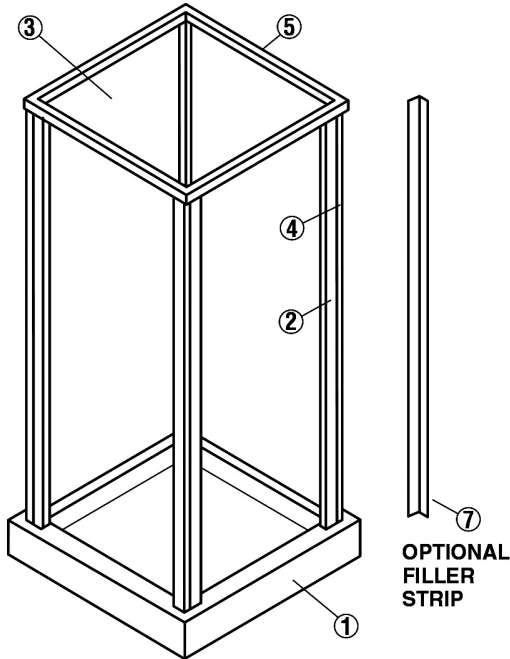

**STANDARD EQUIPMENT FOR FIELD INSTALLATION**

KEY NO.	QTY.	DESCRIPTION
1	1	36 x 36" BASE
2	4	3-5/16" x 77-3/16" FRONT PANEL
3	2	31-5/8 x 77-3/16" SIDE PANEL
4	4	CORNER JOINT
5	1	TOP FRAME
-	2	ROD AND CURTAIN
-	1	PRESSURE BALANCED VALVE AND HEAD
-	1	SOAP DISH

**FOR CORRECT INSTALLATION:**

1. ESTABLISH PROPER CLEARANCE BETWEEN SHOWER BASE AND WALLS.
2. SET SHOWER BASE ON MORTAR BED AND CAREFULLY LEVEL TO AVOID PROBLEMS OF UNEVEN SUB FLOOR.

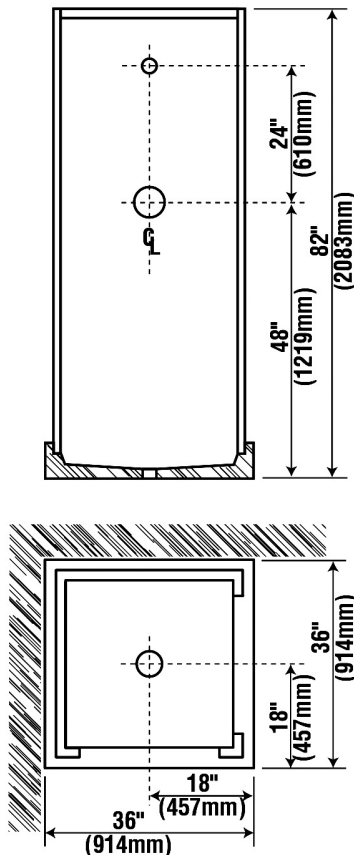


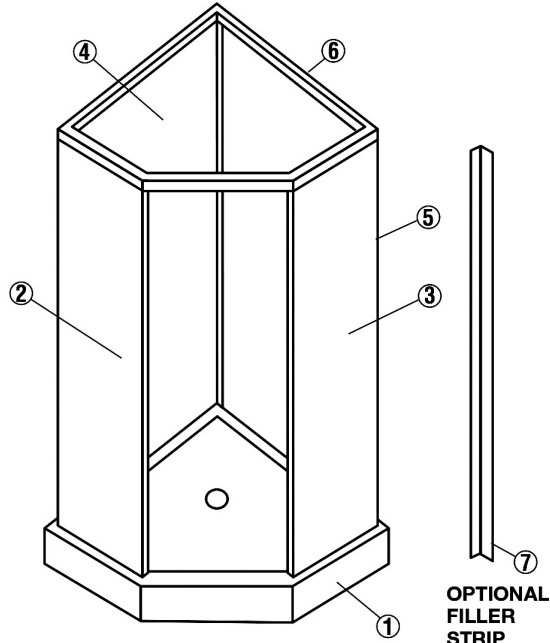

**STANDARD EQUIPMENT FOR FIELD INSTALLATION**

KEY NO.	QTY.	DESCRIPTION
1	1	36 x 36" BASE
2	4	3-5/16" x 77-3/16" FRONT PANEL
3	2	31-5/8" x 77-3/16" SIDE PANEL
4	4	CORNER JOINT
5	1	TOP FRAME
-	2	ROD AND CURTAIN
-	1	PRESSURE BALANCED VALVE AND HEAD
-	1	SOAP DISH

**FOR CORRECT INSTALLATION:**

1. ESTABLISH PROPER CLEARANCE BETWEEN SHOWER BASE AND WALLS.
2. SET SHOWER BASE ON MORTAR BED AND CAREFULLY LEVEL TO AVOID PROBLEMS OF UNEVEN SUB FLOOR.




**STANDARD EQUIPMENT FOR FIELD INSTALLATION**

KEY NO.	QTY.	DESCRIPTION
1	1	40 x 40" NEO-CORNER BASE
2	1	18-5/8" x 77-3/16" FRONT PANEL
3	1	18-5/8" x 77-3/16" SIDE PANEL
4	2	35-5/8" x 77-3/16" BACK PANEL
5	3	CORNER JOINT
6	1	TOP FRAME
-	1	ROD AND CURTAIN
-	1	PRESSURE BALANCED VALVE AND HEAD
-	1	SOAP DISH

**FOR CORRECT INSTALLATION:**

1. ESTABLISH PROPER CLEARANCE BETWEEN SHOWER BASE AND WALLS.
2. SET SHOWER BASE ON MORTAR BED AND CAREFULLY LEVEL TO AVOID PROBLEMS OF UNEVEN SUB FLOOR.

