

WDA-3400, WDA-3410, WDA-3420 PARIAN ROLL-IN SHOWER FLOOR

These shower floors are flanged on three sides for a water tight joint between the wall and shower floor. This model must be recessed into the building floor to allow unobstructed wheelchair entry. Tiling flanges are intended to be used with wall tile applied by others to conform with Federal, state and local shower stall dimensions.



(Shown above) Model WDA-3410

FEATURES

- Terrazzo is cast in white Portland cement with a composition of black and white quartz, marble and other materials, then ground smooth, grouted and sealed to resist stains and moisture which produces a compressive strength of 3000 PSI seven days after casting.
- Drain shall be stainless steel cast integral with removable stainless steel strainer (S423-0105), and sized for a gasket (QDC4000 included for 2" XHCI, plastic or steel pipe) or a caulked lead connection not less than 1" deep to a 3" pipe.
- Terrazzo's natural non-slip surface provides better footing and increased safety.
- Custom configurations available – Drain positions, overall size, tiling flanges and color options. Call for more information and pricing.

OPTIONAL COMPONENTS

- RDM:** Collapsible Water Dam
- QIC2000:** 2" Drain Gasket for a 2" Pipe - No Hub
- TC-2:** 2" Drain Gasket for a 2" Pipe - Brass drains only

ORDERING OPTIONS

Part Number

WDA-

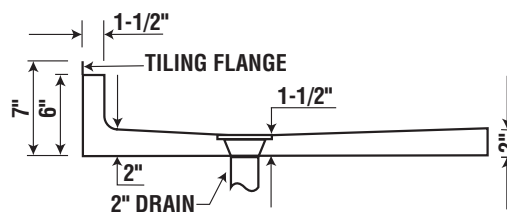
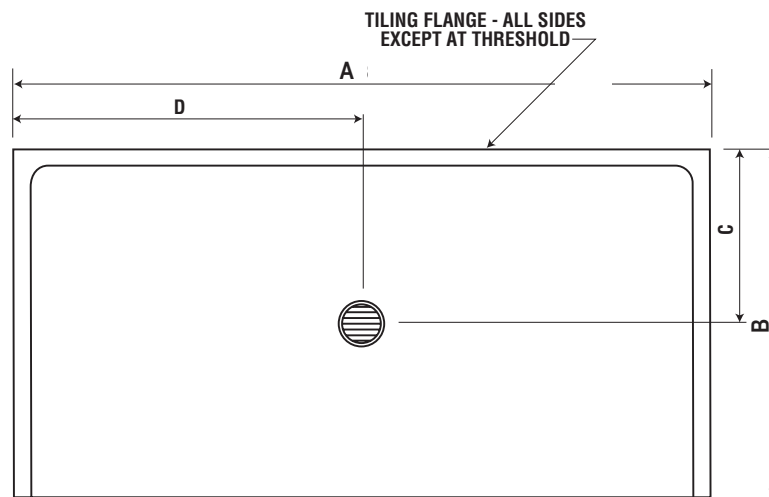
Size

- 3400:** 39×39"
- 3410:** 60×30"
- 3420:** 60×36"

DIMENSIONS

All dimensions subject to manufacturing variance of plus or minus 1/4" (6 mm)

MODEL	FLANGES	RAMP	SIZE	A	B	C	D
WDA-3400	3 sides	—	39x39	39	39	19	20
WDA-3410	3 sides	—	60x30	60	30	15	30
WDA-3420	3 sides	—	60x36	60	36	18	30



SECTION THRU SHOWER FLOOR

SPECS

Furnish and install Parian Roll-In shower floor manufactured by Stern-Williams using black and white chips cast in white Portland cement. The terrazzo material shall have a compressive strength not less than 3000 PSI after full cure. All exposed terrazzo surfaces shall be ground smooth, grouted, and factory sealed to resist stains and moisture. Tiling flanges, cast integral shall be of stainless steel and shall not extend not less than one inch above the shoulder. Shower floors include a stainless steel drain body that is cast integral to the shower floor with a removable type stainless steel strainer. Drain shall have inside connection to a 2" pipe sealed with factory provided gasket. Shall be made in the USA.