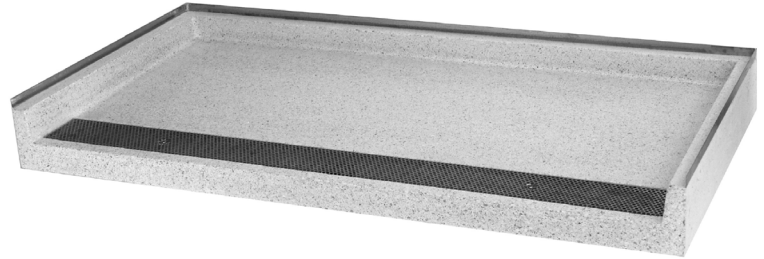


WDA-3705, WDA-3730, WDA-3760 PENTELIC SHOWER FLOORS WITH LINEAR DRAIN

Pentelic shower floors with a linear drain come with a 14 gauge stainless steel grate is secured to the terrazzo shower floor. Shower floors are flanged on three sides for a water tight joint between the wall and shower floor. Tiling flanges are intended to be used with wall tile applied by others to conform with Federal, state and local shower stall dimensions.



ADA Compliant (WDA-3705, WDA-3730, WDA-3760)

ACA Compliant (WDA-3760)

(Shown above) Model WDA-3730

FEATURES

- Terrazzo is cast in white Portland cement with a composition of black and white quartz, marble and other materials, then ground smooth, grouted and sealed to resist stains and moisture which produces a compressive strength of 3000 PSI seven days after casting.
- All models conform to 2010 ADA standards for accessible design and A.117.1–2009.
- Under the grate, a stainless steel drain cast integral with removable stainless steel strainer (S423-0105), and sized for a gasket (QDC4000 included for 2" XHCI, plastic or steel pipe) or a caulked lead connection not less than 1" deep to a 3" pipe.
- Terrazzo's natural non-slip surface provides better footing and increased safety.
- Custom configurations available – Overall size, tiling flanges and color options. Call for more information and pricing.

OPTIONAL COMPONENTS

- RDM:** Collapsible Water Dam
- QIC2000:** 2" Drain Gasket for a 2" Pipe - No Hub
- TC-2:** 2" Drain Gasket for a 2" Pipe - Brass drains only

ORDERING OPTIONS

Part Number

WDA-



Size

- 3705:** 40x38" / the grate is 5" wide x 36" long
- 3730:** 64x32" / the grate is 5" wide x 60" long
- 3760:** 64x38" / the grate is 5" wide x 60" long

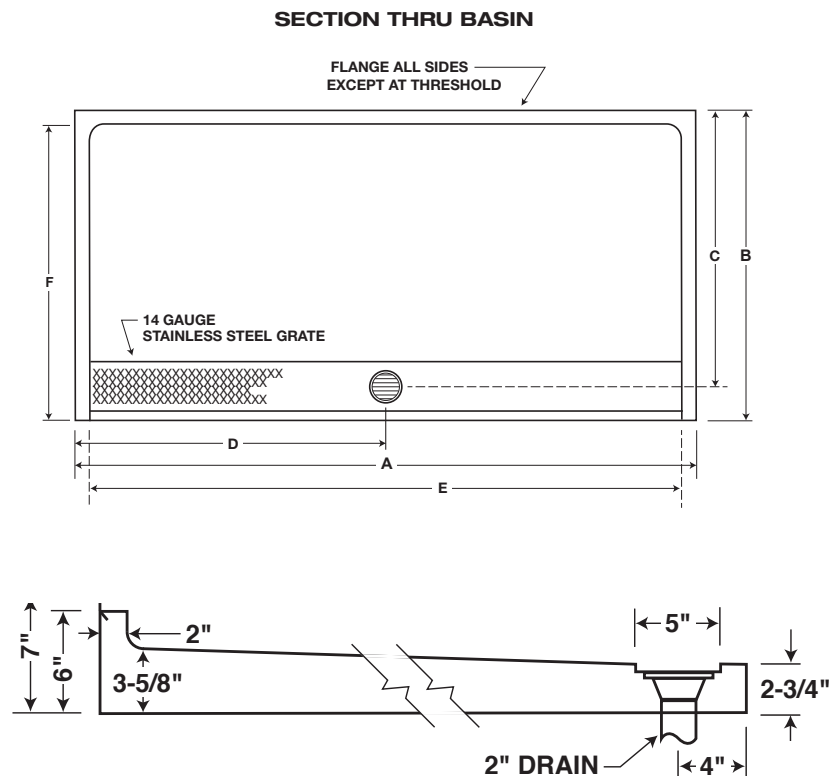
DIMENSIONS

Barrier-Free installation, contractor shall provide recess for curb.

All dimensions subject to manufacturing variance of plus or minus 1/4" (6 mm).

MODEL	FLANGES	RAMP	SIZE	A	B	C	D	E	F
WDA-3705*	3 sides	—	40x38	40	38	34	20	36	36
WDA-3730**	3 sides	—	64x32	64	32	28	32	60	30
WDA-3760**	3 sides	—	64x38	64	38	34	32	60	36

*ADA Transfer Style Compliant **ADA Roll-In Compliant



SPECS

Furnish and install Pentelic shower floor with linear drain manufactured by Stern-Williams using black and white chips cast in white Portland cement. The terrazzo material shall have a compressive strength not less than 3000 PSI after full cure. All exposed terrazzo surfaces shall be ground smooth, grouted, and factory sealed to resist stains and moisture. Tiling flanges, cast integral shall be of stainless steel and shall not extend not less than one inch above the shoulder. Shower floor includes a stainless steel drain body that is cast integral to the shower floor with a removable type stainless steel strainer. Drain shall have inside connection to a 2" pipe sealed with factory provided gasket. Removable 5" wide, 14 gauge stainless steel grate is secured to the shower floor. All models conform to ADA standards. Shall be made in the USA.