

WS-3200, WS-3500, WS-3501, WS-3502, WS-3503, WS-3504, WS-3505 SERPENTINE SHOWER FLOOR FOR WHEELCHAIRS

WS-Series Serpentine Shower Floors for the handicapped comes with an integral cast 12” ramp with a 6” stainless steel entry cap. Flanges cast integral on three sides for a water tight joint between the wall and shower floor.



(Shown above) WS-3200

FEATURES

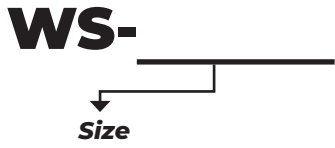
- Terrazzo is cast in white Portland cement with a composition of black and white quartz, marble and other materials, then ground smooth, grouted and sealed to resist stains and moisture which produces a compressive strength of 3000 PSI seven days after casting.
- Under the grate, a stainless steel drain cast integral with removable stainless steel strainer, and sized for a gasket (QDC4000 included for 2” XHCI, plastic or steel pipe) or a caulked lead connection not less than 1” deep to a 3” pipe.
- A cast in water dam is standard to help reduce water run off.
- Terrazzo’s natural non-slip surface provides better footing and increased safety.
- Custom configurations available – Drain positions, overall size, color options. Call for more information and pricing.

OPTIONAL COMPONENTS

- RDM:** Collapsible Water Dam
- PB:** Polished Brass Strainer
- VP:** Vandal Proof Drain
- QIC2000:** 2” Drain Gasket for a 2” Pipe - No Hub
- TC-2:** 2” Drain Gasket for a 2” pipe - Brass drains only

ORDERING OPTIONS

Part Number

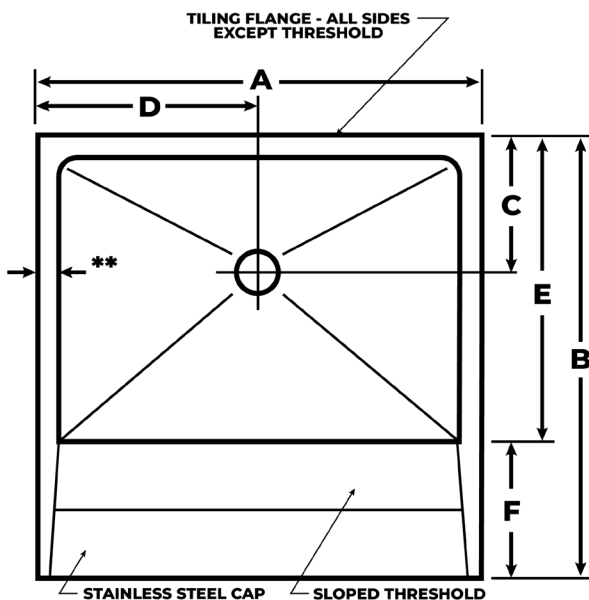


- 3200:** 36×36”
- 3500:** 48×48”
- 3501:** 60×48”
- 3502:** 60×60”
- 3503:** 42×70”
- 3504:** 48×70”
- 3505:** 60×70”

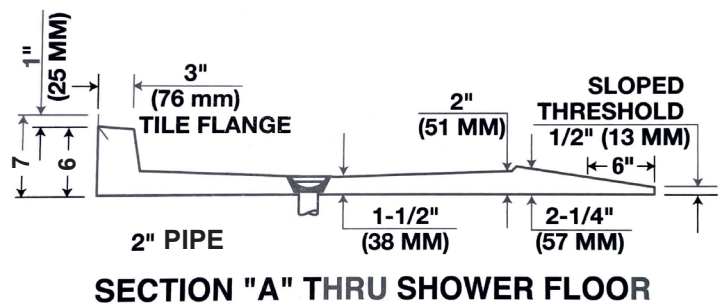
DIMENSIONS

All dimensions subject to manufacturing variance of plus or minus 1/4" (6 mm).

MODEL	FLANGES	RAMP	SIZE	A	B	C	D	E	F
WS-3200	3 sides	1 side	36x36	36	36	12	18	24	12
WS-3500	3 sides	1 side	48x48	48	48	18	24	36	12
WS-3501	3 sides	1 side	60x48	60	48	18	30	36	12
WS-3502	3 sides	1 side	60x60	60	60	24	30	48	12
WS-3503	3 sides	1 side	42x70	42	70	9	21	58	12
WS-3504	3 sides	1 side	48x70	48	70	9	24	58	12
WS-3505	3 sides	1 side	60x70	60	70	9	30	58	12



PLAN
"WS" SERIES W/ 3" CURB**



SECTION "A" THRU SHOWER FLOOR

SPECS

Furnish and install Serpentine shower floor with a wheelchair accessible ramp and a 6" stainless steel cap on threshold manufactured by Stern-Williams using black and white chips cast in white Portland cement. The terrazzo material shall have a compressive strength not less than 3000 PSI after full cure. All exposed terrazzo surfaces shall be ground smooth, grouted, and factory sealed to resist stains and moisture. Tiling flanges, cast integral on 3 sides shall be of stainless steel and shall not extend not less than one inch above the shoulder. Shower floor includes a stainless steel drain body that is cast integral to the shower floor with a removable type stainless steel strainer. Drain shall have inside connection to a 2" pipe sealed with factory provided gasket. Shall be made in the USA.