

# INSTALLATION INSTRUCTIONS

## SS-2424 Stainless Steel Mop Sink

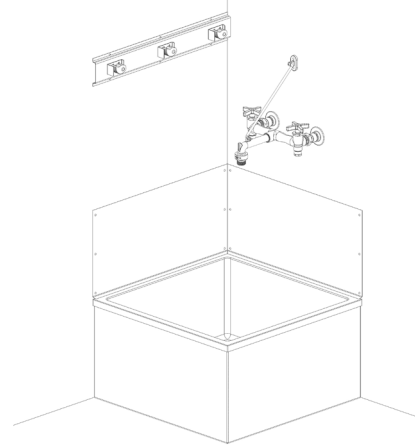


Thank you for selecting Stern-Williams. To ensure this product is installed properly, please read these instructions carefully before you begin. (Certain installations may require professional help.)

**IMPORTANT:** When installing Model SS-2424 or SS-2424-3 Stainless Steel Mop Service Basin, observe local plumbing and building codes.

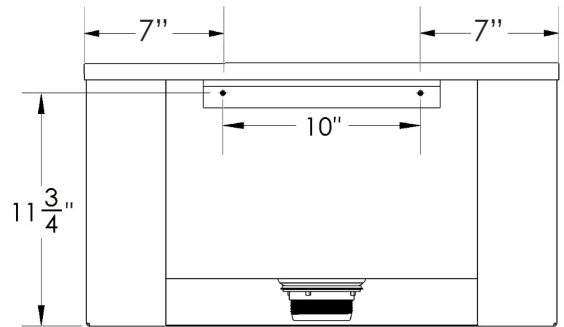
## PREPARATION

- Refer to “Rough-In” dimensions and determine where the Stern-Williams’ mop sink will be installed. (See Page 2)
- The drain pipe should protrude above the finished floor 1-1/2” and be centered 12” from the wall or both walls if installing the mop sink into a corner.
- Ensure the walls and floor where the mop sink will be installed are free of debris and dry.
- Identify model purchased, SS-2424 includes a 2” drain, Model SS-2424-3 includes a 3” drain.

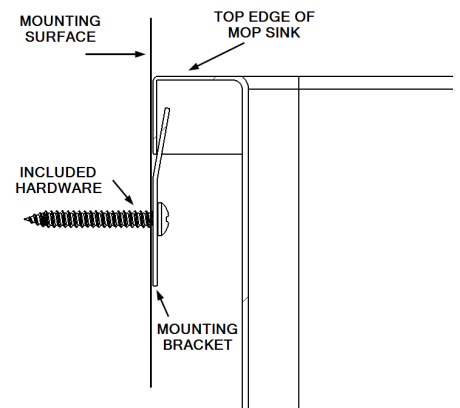


## INSTALLATION

1. The included mounting bracket goes on the wall where the back of the mop sink sits. (See Figure 1).
  - a. The bracket mounting holes need to be 11-3/4” ( $\pm 1/8$ ”) above the floor and 10” apart for proper placement. To be centered, both the right and left hole should be 7” from the outside of the sink edge to avoid interfering with the mop sink skirt.
2. Use provided hardware to secure the mounting bracket onto the wall. (See Figure 2).
  - a. When installed, ensure the mounting bracket has enough gap to receive the mop sink lip.
3. Remove strainer, compression nut (SS-2424 only), and drain gasket from mop sink assembly.
4. Cut drain pipe to extend 1¼” into drain body. Drain pipe should be even with top of gasket when installation is completed.
5. If mop sink needs water tight base, apply a bead of silicone under base lip before setting in place.
6. Position mop sink over drain pipe and lower into place, ensuring the mounting bracket catches the back lip.
7. Once level, replace the gasket into the drain. If gasket does not go on drain pipe easily, apply soapy water to assist.
8. For steps 9-12, identify model purchased (SS-2424 or SS-2424-3).



**Figure 1**



**Figure 2**

# INSTALLATION INSTRUCTIONS

## SS-2424 Stainless Steel Mop Sink



### INSTALLATION

#### Model SS-2424 (2" Drain):

- Use the compression nut to fully seat the gasket with included plate tool and a flat head screwdriver. (See Figures 3 & 4). Compression nut should be recessed in the drain and gasket should be compressed around the drain pipe to ensure no water leaks. Remove plate tool while leaving the compression ring in place.
- Replace the included strainer onto the drain to finish the drain installation.
- Test connection before covering or concealing. To test: plug drain and fill receptor with water. Check for leaks.
- Seal edges where the mop sink meets the wall with silicone sealant.  
**NOTE:** If using back panels, also silicone where they meet the mop sink, and in corners.



**Figure 3**



**Figure 4**

#### Model SS-2424-3 (3" Drain):

- Lubricate gasket with soap solution and stretch over pipe with letters facing up.
- Using a hammer and caulking tool or a  $\frac{1}{4}$ " X  $\frac{3}{4}$ " x 6" piece of wood, work around gasket with a series of firm blows and gradually drive gasket into drain body until it bottoms out.
- Test connection before covering or concealing. To test: plug drain and fill receptor with water. Check for leaks.
- Seal edges where the mop sink meets the wall with silicone sealant.  
**NOTE:** If using back panels, also silicone where they meet the mop sink, and in corners.

### ROUGH-IN-DIMENSIONS

**Note:** Drain and strainer pattern vary depending on 2" or 3" drain.

